

CB S-BE - Base element



2905067

<https://www.phoenixcontact.com/us/products/2905067>

Please be informed that the data shown in this PDF document is generated from our online catalog. Please find the complete data in the user documentation. Our general terms of use for downloads are valid.



Solder base element for PCB mounting for accommodating CB TM... or CB E... device circuit breakers

Commercial data

Item number	2905067
Packing unit	30 pc
Minimum order quantity	30 pc
Sales key	CL15
Product key	CLA193
GTIN	4046356916110
Weight per piece (including packing)	10.673 g
Weight per piece (excluding packing)	10.673 g
Customs tariff number	85366990
Country of origin	DE

CB S-BE - Base element

2905067

<https://www.phoenixcontact.com/us/products/2905067>

Technical data

Product properties

Product type	Base element
Product family	CB BE
Type	Base element, PCB mounting

Electrical properties

General

Rated insulation voltage U_i	80 V DC
	277 V AC
Rated surge voltage	2.5 kV
Insertion/withdrawal cycles	50

Main circuit

Rated voltage	80 V DC
	277 V AC
Rated current I_N	16 A

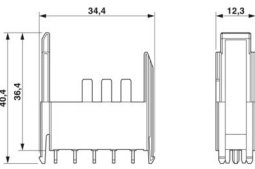
Remote indication circuit

Rated voltage	80 V DC
	277 V AC
Rated current I_N	1 A

Connection data

Connection method	Solder connection
-------------------	-------------------

Dimensions

Dimensional drawing	
Width	12.3 mm
Height	34.8 mm
Depth	36.4 mm

Material specifications

Color	gray (RAL 7042)
Flammability rating according to UL 94	V0
Housing material	PA 6.6

Environmental and real-life conditions

CB S-BE - Base element



2905067

<https://www.phoenixcontact.com/us/products/2905067>

Ambient conditions

Degree of protection	IP30 (Plug-in area with plugged-in device) IP00 (Connection area)
Ambient temperature (operation)	-30 °C ... 60 °C
Ambient temperature (storage/transport)	-40 °C ... 80 °C
Humidity test	240 h, 95 % RH, 40 °C

Standards and regulations

Standards/specifications	DIN EN 50155
Standards/specifications	IEC 60068-2

Mounting

Mounting type	On PCB
---------------	--------

CB S-BE - Base element

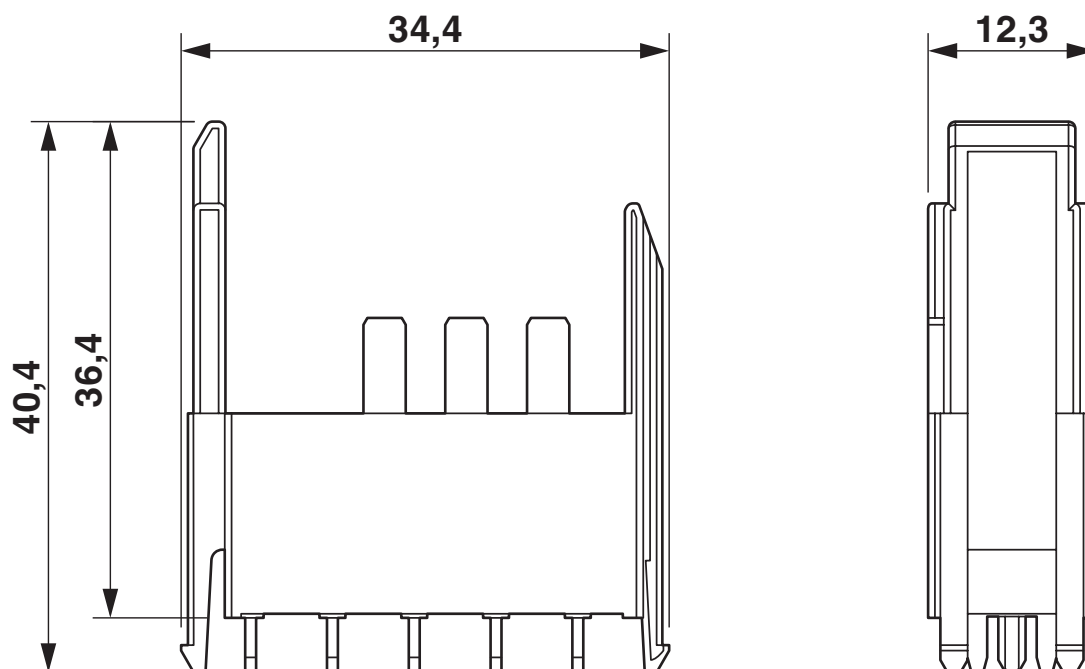
2905067

<https://www.phoenixcontact.com/us/products/2905067>

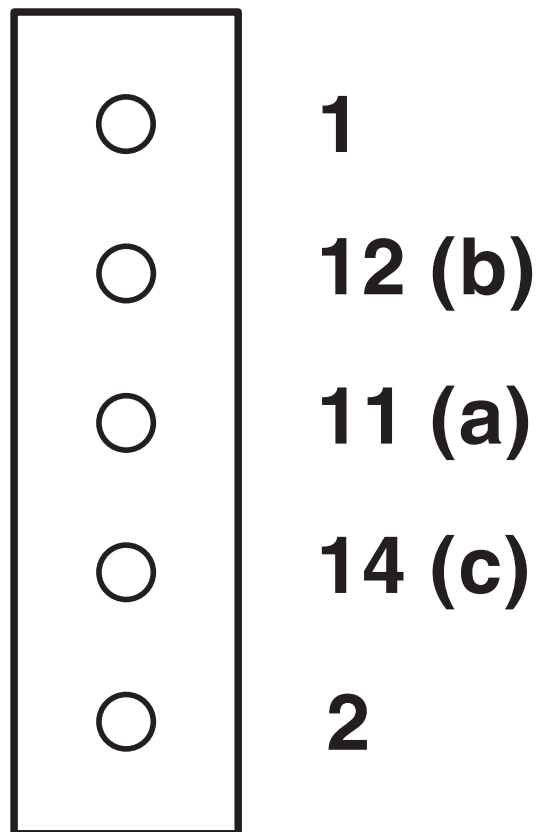


Drawings

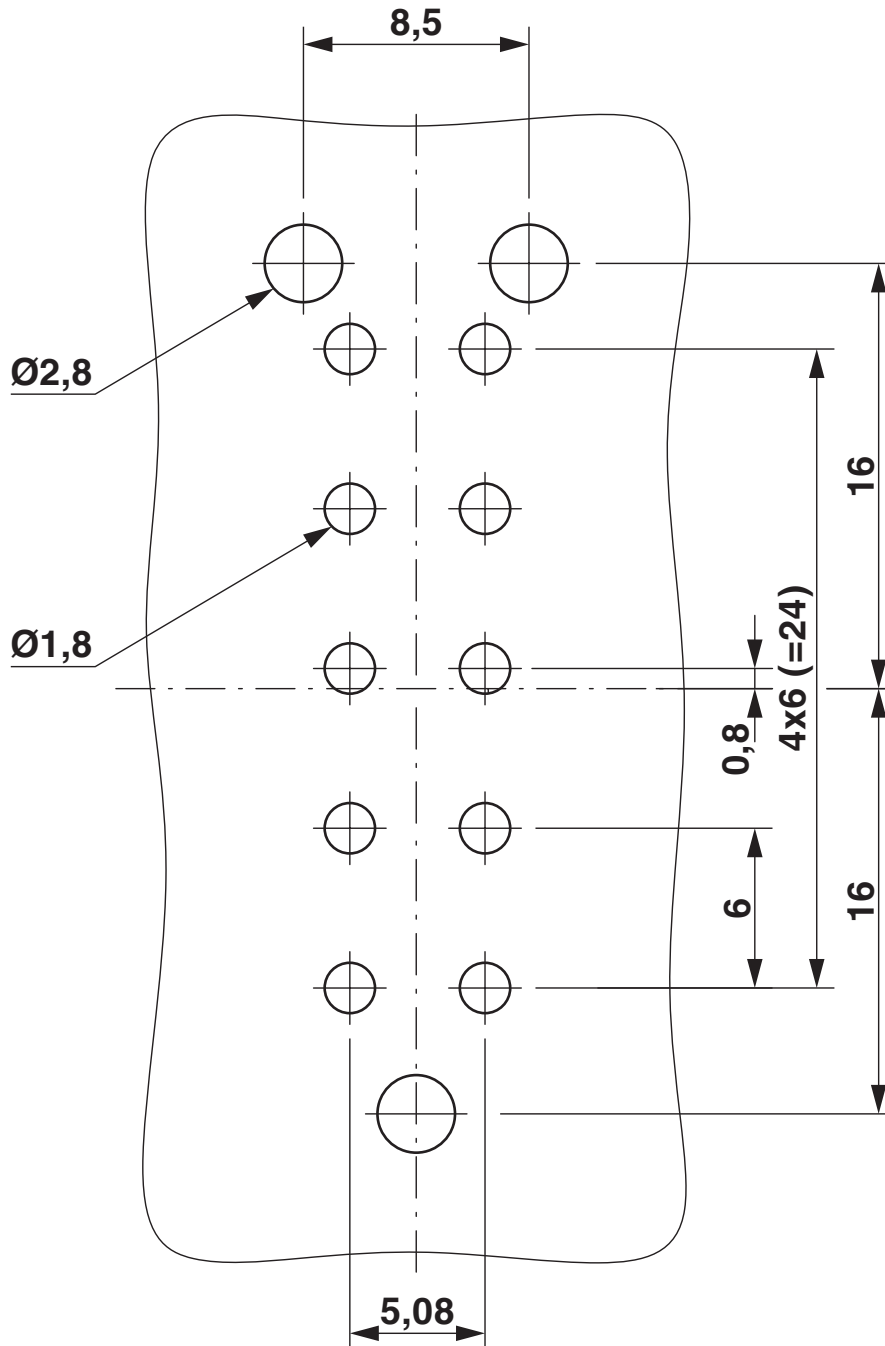
Dimensional drawing



Circuit diagram



Drilling plan/solder pad geometry



CB S-BE - Base element



2905067

<https://www.phoenixcontact.com/us/products/2905067>

Classifications

ECLASS

ECLASS-13.0	27140492
ECLASS-15.0	27140492

ETIM

ETIM 10.0	EC002936
-----------	----------

UNSPSC

UNSPSC 21.0	39121600
-------------	----------

CB S-BE - Base element



2905067

<https://www.phoenixcontact.com/us/products/2905067>

Environmental product compliance

EU RoHS

Fulfills EU RoHS substance requirements	Yes, No exemptions
---	--------------------

China RoHS

Environment friendly use period (EFUP)	EFUP-E
	No hazardous substances above the limits

EU REACH SVHC

REACH candidate substance (CAS No.)	No substance above 0.1 wt%
-------------------------------------	----------------------------

Phoenix Contact 2026 © - all rights reserved
<https://www.phoenixcontact.com>

Phoenix Contact USA
586 Fulling Mill Road
Middletown, PA 17057, United States
(+717) 944-1300
info@phoenixcon.com