

# QUINT-PS/60-72DC/24DC/10/CO - DC/DC converter, protective coating



2905011

<https://www.phoenixcontact.com/us/products/2905011>

Please be informed that the data shown in this PDF document is generated from our online catalog. Please find the complete data in the user documentation. Our general terms of use for downloads are valid.



Primary-switched QUINT DC/DC converter with wide range input for DIN rail mounting with SFB (Selective Fuse Breaking) technology, input: 60-72 V DC, output 24 V DC / 10 A

## Product description

QUINT DC/DC converter with maximum functionality.

DC/DC converters alter the voltage level, regenerate the voltage at the end of long cables or enable the creation of independent supply systems by means of electrical isolation. QUINT DC/DC converters magnetically and therefore quickly trip circuit breakers with six times the nominal current, for selective and therefore cost-effective system protection. In addition, the high system availability is ensured by preventive function monitoring which reports critical operating states before errors can occur.

## Your advantages

- Reliable starting of difficult loads, thanks to the static POWER BOOST power reserve with up to 125% nominal current permanently
- Preventive function monitoring indicates critical operating states before errors occur
- Constant voltage: output voltage regenerated even at the end of long cables
- Support conversion to various voltage levels
- Electrical isolation: for setting up independent supply systems
- Optimum protection with dip coating for 100 % humidity

## Commercial data

Item number	2905011
Packing unit	1 pc
Minimum order quantity	1 pc
Sales key	CM05
Product key	CMDQ43
GTIN	4046356908320
Weight per piece (including packing)	1,166 g
Weight per piece (excluding packing)	1,190 g
Customs tariff number	85044095
Country of origin	CN

# QUINT-PS/60-72DC/24DC/10/CO - DC/DC converter, protective coating



2905011

<https://www.phoenixcontact.com/us/products/2905011>

## Technical data

### Input data

#### DC operation

Nominal input voltage range	60 V DC ... 72 V DC
Input voltage range	42 V DC ... 96 V DC
Wide-range input	yes
Input voltage range DC	42 V DC ... 96 V DC
Voltage type of supply voltage	DC
Inrush current	< 9 A (typical)
Inrush current integral ( $I^2t$ )	0.64 A <sup>2</sup> s
Mains buffering time	typ. 10 ms (60 V DC)
Current consumption	5.6 A (60 V DC) 4.7 A (72 V DC)
Reverse polarity protection	, ≤ 30 V DC
Nominal power consumption	268 VA
Protective circuit	Transient surge protection; Varistor
Input fuse	10 A 150 V DC (internal (device protection))

### Output data

Efficiency	> 91 % ( $U_{IN}$ 60 V DC / $U_{OUT}$ 24 V DC) > 91 % ( $U_{IN}$ 72 V DC / $U_{OUT}$ 24 V DC)
Output characteristic	U/I
Nominal output voltage	24 V DC ±1 %
Setting range of the output voltage ( $U_{Set}$ )	18 V DC ... 29.5 V DC (> 24 V DC, constant capacity restricted)
Nominal output current ( $I_N$ )	10 A (-40 °C ... 60 °C)
POWER BOOST ( $I_{Boost}$ )	12.5 A (-40 °C ... 40 °C permanent, $U_{OUT}$ = 24 V DC)
Selective Fuse Breaking ( $I_{SFB}$ )	60 A (12 ms)
Magnetic circuit breaker tripping	B2 / B4 / B6
Derating	60 °C ... 70 °C (2.5 %/K)
Feedback voltage resistance	35 V DC
Protection against overvoltage at the output (OVP)	< 35 V DC
Max. capacitive load	unlimited
Active current limitation	18 A
Control deviation	< 1 % (change in load, static 10 % ... 90 %) < 2 % (change in load, dynamic 10 % ... 90 %) < 0.1 % (change in input voltage ±10 %)
Residual ripple	< 20 mV <sub>PP</sub>
Short-circuit-proof	yes
Output power	240 W
Peak switching voltages nominal load	< 10 mV <sub>PP</sub> (20 MHz)

# QUINT-PS/60-72DC/24DC/10/CO - DC/DC converter, protective coating



2905011

<https://www.phoenixcontact.com/us/products/2905011>

Maximum no-load power dissipation	4 W ( $U_{IN}$ 60 V DC)
Power loss nominal load max.	24 W ( $U_{IN}$ 60 V DC)
Rise time	< 2 ms ( $U_{OUT}$ (10 % ... 90 %))
Connection in parallel	yes, for redundancy and increased capacity
Connection in series	yes
Fuse protection (secondary side)	electronic
	thermal-magnetic
	thermal

Signal: DC OK active

Output description	$U_{OUT} > 0.9 \times U_N$ : High signal
Switching voltage range	18 V DC ... 24 V DC
Maximum inrush current	< 20 mA (short-circuit-proof)

Signal: POWER BOOST, active

Output description	$I_{OUT} < I_N$ : High signal
Switching voltage range	18 V DC ... 24 V DC
Maximum inrush current	< 20 mA (short-circuit-proof)

Signal:  $U_{IN}$  OK, active

Output description	$U_{IN} > 19.2$ V: High signal
Switching voltage range	18 V DC ... 24 V DC
Maximum inrush current	$\leq 20$ mA (short-circuit-proof)

Signal: DC OK floating

Output description	Relay
Output voltage	$\leq 30$ V AC/DC
Maximum inrush current	$\leq 100$ mA

## Connection data

Input

Connection method	Screw connection
Conductor cross-section, rigid min.	0.2 mm <sup>2</sup>
Conductor cross-section, rigid max.	2.5 mm <sup>2</sup>
Conductor cross-section flexible min.	0.2 mm <sup>2</sup>
Conductor cross-section flexible max.	2.5 mm <sup>2</sup>
Conductor cross-section AWG min.	24
Conductor cross-section AWG max.	12
Stripping length	8 mm
Screw thread	M3
Tightening torque, min	0.5 Nm
Tightening torque max	0.6 Nm

Output

# QUINT-PS/60-72DC/24DC/10/CO - DC/DC converter, protective coating



2905011

<https://www.phoenixcontact.com/us/products/2905011>

Connection method	Screw connection
Conductor cross-section, rigid min.	0.2 mm <sup>2</sup>
Conductor cross-section, rigid max.	2.5 mm <sup>2</sup>
Conductor cross-section flexible min.	0.2 mm <sup>2</sup>
Conductor cross-section flexible max.	2.5 mm <sup>2</sup>
Conductor cross-section AWG min.	24
Conductor cross-section AWG max.	12
Stripping length	7 mm
Screw thread	M3
Tightening torque, min	0.5 Nm
Tightening torque max	0.6 Nm

## Signal

Conductor cross-section, rigid min.	0.2 mm <sup>2</sup>
Conductor cross-section, rigid max.	2.5 mm <sup>2</sup>
Conductor cross-section flexible min.	0.2 mm <sup>2</sup>
Conductor cross-section flexible max.	2.5 mm <sup>2</sup>
Conductor cross-section AWG min.	24
Conductor cross-section AWG max.	12
Screw thread	M3
Tightening torque, min	0.5 Nm
Tightening torque max	0.6 Nm

## Signaling

Types of signaling	LED
	Active switching output
	Relay contact

### Signal output: DC OK active

Status display	"DC OK" LED green
Color	green

### Signal output: POWER BOOST, active

Status display	"BOOST" LED yellow/ $I_{OUT} > I_N$ : LED on
Color	yellow
Note on status display	LED on

### Signal output: $U_{IN}$ OK, active

Status display	LED " $U_{IN} < 0.8 \times U_N$ V" yellow/ $U_{IN} < 0.8 \times U_N$ V DC: LED on
Color	yellow
Note on status display	LED on

### Signal output: DC OK floating

Note on status display	$U_{OUT} > 0.9 \times U_N$ : Contact closed
------------------------	---

# QUINT-PS/60-72DC/24DC/10/CO - DC/DC converter, protective coating



2905011

<https://www.phoenixcontact.com/us/products/2905011>

## Electrical properties

Number of phases	1
Insulation voltage input/output	1.5 kV (type test)
	1 kV (routine test)
	1 kV (type test)

## Product properties

Product type	DC/DC converters
Product family	QUINT POWER
MTBF (IEC 61709, SN 29500)	> 1349000 h (25 °C)
	> 765000 h (40 °C)

## Insulation characteristics

Protection class	I
Degree of pollution	2

## Dimensions

Width	48 mm
Height	130 mm
Depth	125 mm

## Installation dimensions

Installation distance right/left	0 mm / 0 mm ( $\leq 70$ °C)
Installation distance right/left (active)	15 mm / 15 mm ( $\leq 70$ °C)
Installation distance top/bottom	50 mm / 50 mm ( $\leq 70$ °C)
Installation distance top/bottom (active)	50 mm / 50 mm ( $\leq 70$ °C)

## Alternative assembly

Width	122 mm
Height	130 mm
Depth	51 mm

## Mounting

Mounting type	DIN rail: 35 mm
Assembly note	alignable: $P_N \geq 50\%$ , 5 mm horizontally, 15 mm next to active components, 50 mm vertically alignable: $P_N < 50\%$ , 0 mm horizontally, 40 mm vertically top, 20 mm vertically bottom
Mounting position	horizontal DIN rail NS 35, EN 60715
With protective coating	yes

## Material specifications

Housing material	Metal
Type of housing	Aluminum (AlMg3)

# QUINT-PS/60-72DC/24DC/10/CO - DC/DC converter, protective coating



2905011

<https://www.phoenixcontact.com/us/products/2905011>

Hood version	Galvanized sheet steel, free from chrome (VI)
--------------	---

## Environmental and real-life conditions

### Ambient conditions

Degree of protection	IP20
Ambient temperature (operation)	-25 °C ... 70 °C (> 60 °C Derating: 2,5 %/K)
Ambient temperature (storage/transport)	-40 °C ... 85 °C
Ambient temperature (start-up type tested)	-40 °C
Climatic class	3K3 (in acc. with EN 60721)
Max. permissible relative humidity (operation)	100 % (at 25 °C, non-condensing)
Shock	18 ms, 30g, in each space direction (according to IEC 60068-2-27)
Vibration (operation)	< 15 Hz, amplitude $\pm 2.5$ mm (according to IEC 60068-2-6) 15 Hz ... 150 Hz, 2.3g, 90 min.
Temp code	T4 (-25 ... +70 °C; > 60 °C, Derating: 2,5 %/K)

## Standards and regulations

Rail applications	EN 50121-4
	EN 50155
Standard – Electronic equipment for use in electrical power installations and their assembly into electrical power installations	EN 50178/VDE 0160 (PELV)
Standard - Electrical safety	EN 60950-1/VDE 0805 (SELV)
Standard – Safety extra-low voltage	EN 60950-1 (SELV)
	EN 60204 (PELV)
Standard - Safe isolation	DIN VDE 0100-410
Noxious gas test	ISA-S71.04-1985 G3 Harsh Group A

### Fire protection in rail vehicles

Standard designation	Fire protection in rail vehicles
Standards/specifications	EN 45545-2 (HL3)

## Approvals

UL approvals	UL/C-UL listed UL 508
	UL/C-UL Recognized UL 60950-1
	UL ANSI/ISA-12.12.01 Class I, Division 2, Groups A, B, C, D T4 (Hazardous Location)

## EMC data

Electromagnetic compatibility	Conformance with EMC Directive 2014/30/EU
EMC requirements for noise emission	EN 61000-6-3
	EN 61000-6-4
EMC requirements for noise immunity	EN 61000-6-1
	EN 61000-6-2

# QUINT-PS/60-72DC/24DC/10/CO - DC/DC converter, protective coating



2905011

<https://www.phoenixcontact.com/us/products/2905011>

## Electrostatic discharge

Standards/regulations	EN 61000-4-2
-----------------------	--------------

## Electrostatic discharge

Contact discharge	8 kV (Test Level 4)
Discharge in air	15 kV (Test Level 4)
Comments	Criterion A

## Electromagnetic HF field

Standards/regulations	EN 61000-4-3
-----------------------	--------------

## Electromagnetic HF field

Frequency range	80 MHz ... 1 GHz
Test field strength	20 V/m (Test Level 3)
Frequency range	1 GHz ... 2 GHz
Test field strength	20 V/m (Test Level 3)
Frequency range	2 GHz ... 3 GHz
Test field strength	10 V/m (Test Level 3)
Comments	Criterion A

## Fast transients (burst)

Standards/regulations	EN 61000-4-4
-----------------------	--------------

## Fast transients (burst)

Input	4 kV (Test Level 4 - asymmetrical)
Output	2 kV (Test Level 3 - asymmetrical)
Signal	2 kV (Test Level 4 - asymmetrical)
Comments	Criterion A

## Surge voltage load (surge)

Standards/regulations	EN 61000-4-5
-----------------------	--------------

## Surge voltage load (surge)

Input	2 kV (Test Level 4 - symmetrical)
	4 kV (Test Level 4 - asymmetrical)
Output	1 kV (Test Level 3 - symmetrical)
	2 kV (Test Level 3 - asymmetrical)
Signal	1 kV (Test Level 2 - asymmetrical)
Comments	Criterion A

## Conducted interference

Standards/regulations	EN 61000-4-6
-----------------------	--------------

## Conducted interference

Input/output/signal	asymmetrical
Frequency range	9 kHz ... 80 MHz

# QUINT-PS/60-72DC/24DC/10/CO - DC/DC converter, protective coating



2905011

<https://www.phoenixcontact.com/us/products/2905011>

Comments	Criterion A
Voltage	10 V (Test Level 3)

## Emitted interference

Standards/regulations	EN 61000-6-3
Radio interference voltage in acc. with EN 55011	EN 55011 (EN 55022) Class B, area of application: Industry and residential
Emitted radio interference in acc. with EN 55011	EN 55011 (EN 55022) Class B, area of application: Industry and residential

## Criteria

Criterion A	Normal operating behavior within the specified limits.
Criterion B	Temporary impairment to operational behavior that is corrected by the device itself.

# QUINT-PS/60-72DC/24DC/10/CO - DC/DC converter, protective coating

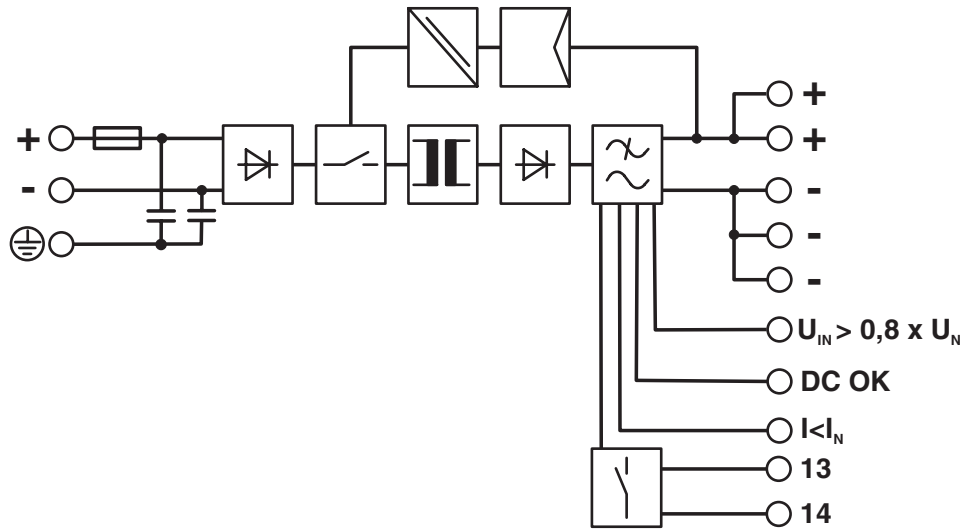


2905011

<https://www.phoenixcontact.com/us/products/2905011>

## Drawings

Block diagram



# QUINT-PS/60-72DC/24DC/10/CO - DC/DC converter, protective coating



2905011

<https://www.phoenixcontact.com/us/products/2905011>

## Approvals

To download certificates, visit the product detail page: <https://www.phoenixcontact.com/us/products/2905011>



**cUL Recognized**  
Approval ID: E211944



**UL Recognized**  
Approval ID: E211944



**EAC**  
Approval ID: RU S-DE.BL08.W.00764



**UL Listed**  
Approval ID: E123528



**cUL Listed**  
Approval ID: E123528



**EAC**  
Approval ID: RU S-DE.BL08.W.00764

### CoC / Compliance Statement

Approval ID: 18-050-00



**cUL Listed**  
Approval ID: E199827



**UL Listed**  
Approval ID: E199827

# QUINT-PS/60-72DC/24DC/10/CO - DC/DC converter, protective coating



2905011

<https://www.phoenixcontact.com/us/products/2905011>

## Classifications

### ECLASS

ECLASS-13.0	27040701
ECLASS-15.0	27040701

### ETIM

ETIM 10.0	EC002540
-----------	----------

### UNSPSC

UNSPSC 21.0	39121000
-------------	----------

# QUINT-PS/60-72DC/24DC/10/CO - DC/DC converter, protective coating



2905011

<https://www.phoenixcontact.com/us/products/2905011>

## Environmental product compliance

### EU RoHS

Fulfills EU RoHS substance requirements	Yes
Exemption	7(a), 7(c)-I

### China RoHS

Environment friendly use period (EFUP)	EFUP-25
	An article-related China RoHS declaration table can be found in the download area for the respective article under "Manufacturer declaration". For all articles with EFUP-E, no China RoHS declaration table issued and required.

### EU REACH SVHC

REACH candidate substance (CAS No.)	Lead(CAS: 7439-92-1)
SCIP	2bdc56aa-32cf-4c1f-ab5f-724f8c2bb5e9

### EF3.1 Climate Change

CO2e kg	33.111 kg CO2e
---------	----------------

Phoenix Contact 2026 © - all rights reserved  
<https://www.phoenixcontact.com>

Phoenix Contact USA  
586 Fulling Mill Road  
Middletown, PA 17057, United States  
(+717) 944-1300  
[info@phoenixcon.com](mailto:info@phoenixcon.com)