

RAD-900-ANT-OMNI-2-2-RSMA - Antenna



2904801

<https://www.phoenixcontact.com/us/products/2904801>

Please be informed that the data shown in this PDF document is generated from our online catalog. Please find the complete data in the user documentation. Our general terms of use for downloads are valid.



Omnidirectional antenna, 900 MHz, gain: 2 dBi, polarization: linear, degree of protection: IP65, connection: RSMA (male), incl. 1.8 m / 6 ft. connecting cable and mounting bracket for panel mounting

Your advantages

- For freely mobile applications
- For multipoint or mesh connections

Commercial data

Item number	2904801
Packing unit	1 pc
Minimum order quantity	1 pc
Sales key	DN23
Product key	DNC6A3
GTIN	4046356902113
Weight per piece (including packing)	125.7 g
Weight per piece (excluding packing)	124.5 g
Customs tariff number	85177100
Country of origin	US

Technical data

Notes

Note on application

Note on application	Only for industrial use
---------------------	-------------------------

Product properties

Product type	Antenna
Gain	2.15 dBi
Vertical beamwidth	N/A
Horizontal beamwidth	360 °
Polarization	Linear vertical

Electrical properties

Frequency band	900 MHz
Frequency range	900 MHz
Impedance	50 Ω
Voltage standing wave ratio VSWR in a 50 Ω system	≤ 2.00

Connection data

Connection technology

Connection method	RSMA (male)
-------------------	-------------

Dimensions

Width	0.3 cm
Height	8.9 cm

Material specifications

Material	V2A
	V2A

Cable/line

Connecting cable	yes
------------------	-----

Environmental and real-life conditions

Ambient conditions

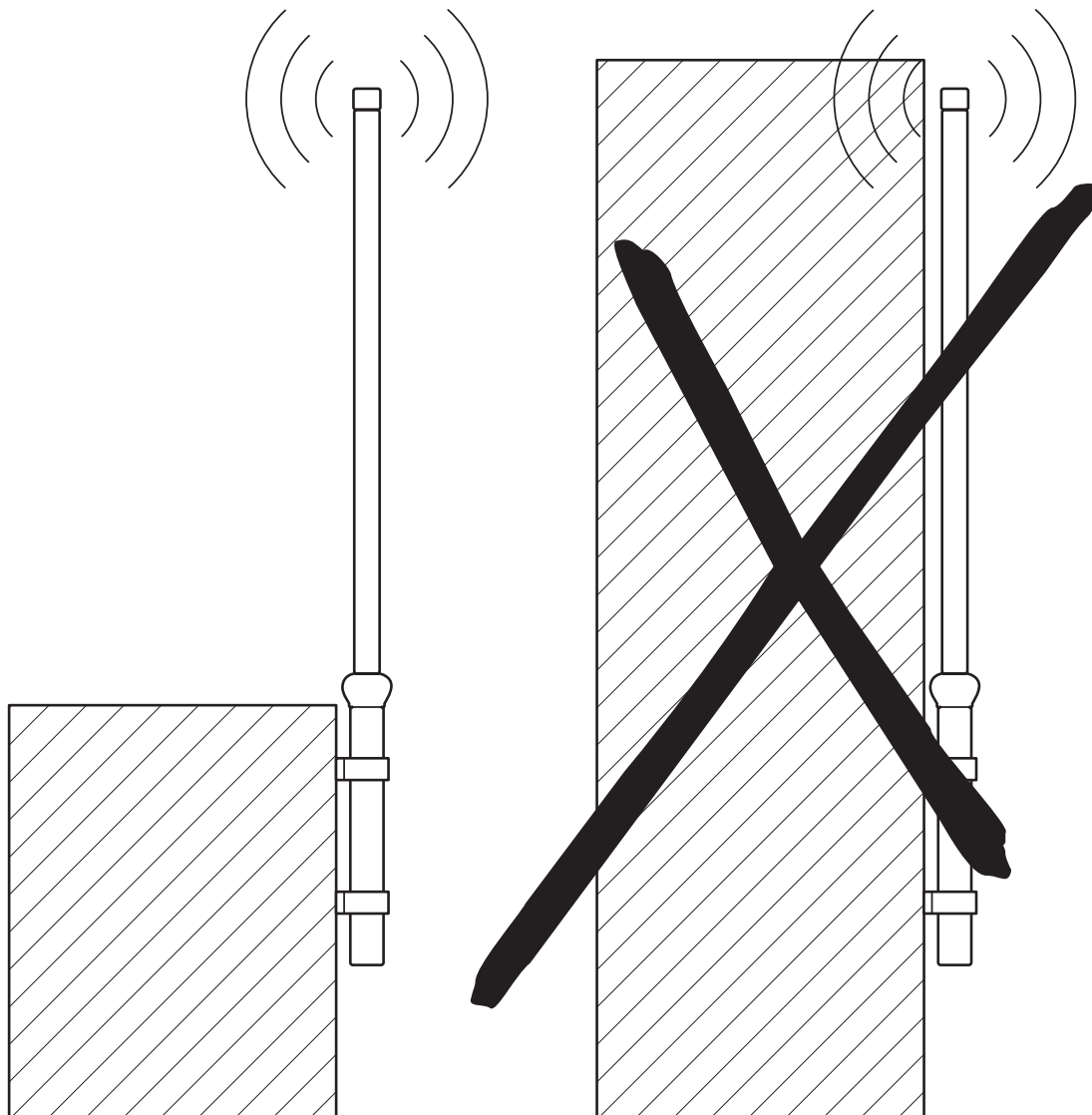
Degree of protection	IP65
Ambient temperature (operation)	-40 °C ... 75 °C

Mounting

Mounting type	Panel mounting
---------------	----------------

Drawings

Schematic diagram



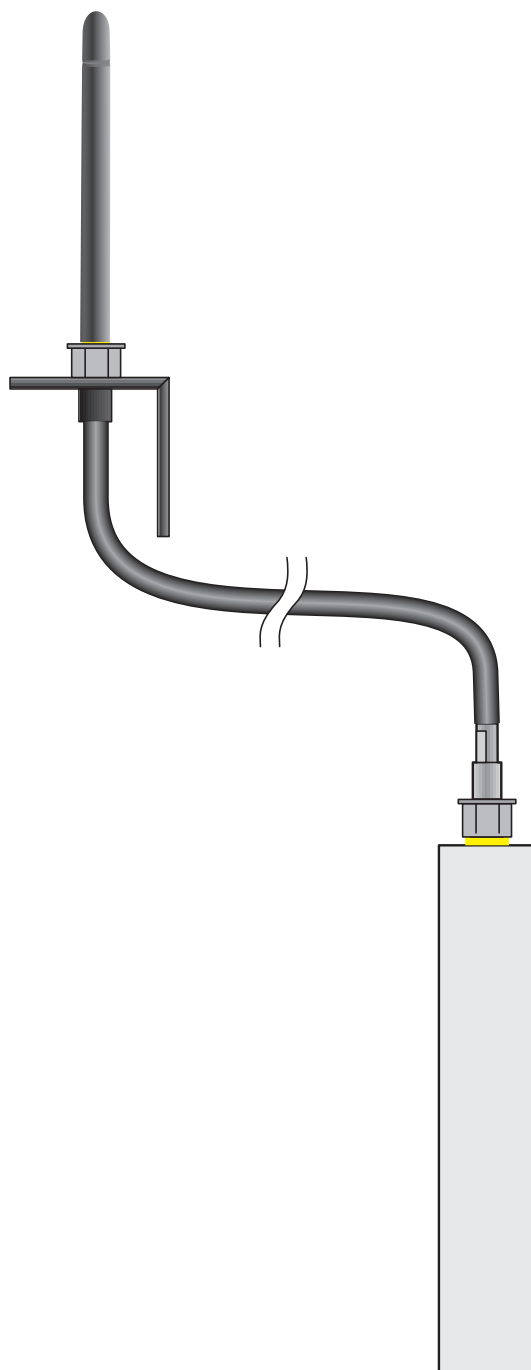
RAD-900-ANT-OMNI-2-2-RSMA - Antenna

2904801

<https://www.phoenixcontact.com/us/products/2904801>



Schematic diagram



Installation example

RAD-900-ANT-OMNI-2-2-RSMA - Antenna



2904801

<https://www.phoenixcontact.com/us/products/2904801>

Classifications

ECLASS

ECLASS-13.0	19070105
ECLASS-15.0	19070105

ETIM

ETIM 10.0	EC001698
-----------	----------

UNSPSC

UNSPSC 21.0	43223100
-------------	----------

RAD-900-ANT-OMNI-2-2-RSMA - Antenna



2904801

<https://www.phoenixcontact.com/us/products/2904801>

Environmental product compliance

China RoHS

Environment friendly use period (EFUP)	EFUP-E
	No hazardous substances above the limits

EU REACH SVHC

REACH candidate substance (CAS No.)	No substance above 0.1 wt%
-------------------------------------	----------------------------

Phoenix Contact 2026 © - all rights reserved
<https://www.phoenixcontact.com>

Phoenix Contact USA
586 Fulling Mill Road
Middletown, PA 17057, United States
(+717) 944-1300
info@phoenixcon.com