

# PLC-OPT-120UC/48DC/100/V8C/SEN - Solid-state relay module



2904694

<https://www.phoenixcontact.com/us/products/2904694>

Please be informed that the data shown in this PDF document is generated from our online catalog. Please find the complete data in the user documentation. Our general terms of use for downloads are valid.



PLC-INTERFACE for input functions with PLC logic, with push-in connection and plug-in miniature solid-state relay, for mounting on DIN rail NS 35/7,5, 1 N/O contact, input: 120 V AC/110 V DC, output: 3 - 48 V DC/100 mA

## Commercial data

Item number	2904694
Packing unit	1 pc
Note	Made to order (non-returnable)
Sales key	C461
Product key	DK6235
GTIN	4046356881135
Weight per piece (including packing)	32.06 g
Weight per piece (excluding packing)	32.06 g
Customs tariff number	85364900
Country of origin	DE

# PLC-OPT-120UC/48DC/100/V8C/SEN - Solid-state relay module



2904694

<https://www.phoenixcontact.com/us/products/2904694>

## Technical data

### Product properties

Product type	Solid-state relay module
Product family	PLC-INTERFACE
Application	Input function
Operating mode	100% operating factor

### Insulation characteristics: Standards/regulations

Insulation	Basic insulation
Overvoltage category	III
Pollution degree	2

### Data management status

Date of last data management	15.09.2025
------------------------------	------------

### Electrical properties

Maximum power dissipation for nominal condition	0.42 W
Test voltage (Input/output)	2.5 kV (50 Hz, 1 min., input/output)

### Input data

Nominal input voltage $U_N$	120 V AC (110 V DC)
	110 V DC
Input voltage range in reference to $U_N$	0.8 ... 1.1
Input voltage range	96 V AC ... 132 V AC
	88 V DC ... 121 V DC
Switching threshold "0" signal in reference to $U_N$	$\leq 0.3$
Switching threshold "1" signal in reference to $U_N$	$\geq 0.8$
Typical input current at $U_N$	3.5 mA
Typical response time	6 ms (at $U_N$ )
Typical turn-off time	10 ms (at $U_N$ )
Operating voltage display	Yellow LED
Protective circuit	Bridge rectifier; Bridge rectifier
Transmission frequency	10 Hz

### Output data

Contact switching type	1 N/O contact
Design of digital output	electronic
Output voltage range	3 V DC ... 48 V DC
Limiting continuous current	100 mA
Voltage drop at max. limiting continuous current	$\leq 1$ V
Output circuit	2-conductor, floating
Protective circuit	Reverse polarity protection; Polarity protection diode

# PLC-OPT-120UC/48DC/100/V8C/SEN - Solid-state relay module



2904694

<https://www.phoenixcontact.com/us/products/2904694>

	Surge protection
--	------------------

## Connection data

Connection method	Push-in connection
Stripping length	10 mm
Conductor cross-section rigid	0.14 mm <sup>2</sup> ... 2.5 mm <sup>2</sup>
Conductor cross-section flexible	0.14 mm <sup>2</sup> ... 2.5 mm <sup>2</sup>
	0.2 mm <sup>2</sup> ... 2.5 mm <sup>2</sup> (Single ferrule)
	2x 0.5 mm <sup>2</sup> ... 1 mm <sup>2</sup> (TWIN ferrule)
Conductor cross-section AWG	26 ... 14

## Dimensions

Width	6.2 mm
Height	80 mm
Depth	94 mm

## Material specifications

Color	gray (RAL 7042)
Flammability rating according to UL 94 (Housing)	V0 (Housing)

## Environmental and real-life conditions

### Ambient conditions

Ambient temperature (operation)	-25 °C ... 60 °C
Ambient temperature (storage/transport)	-25 °C ... 70 °C

## Standards and regulations

### Standards/regulations

Standards/regulations	IEC 60664
	EN 50178

## Mounting

Mounting type	DIN rail mounting
Assembly note	in rows with zero spacing
Mounting position	any

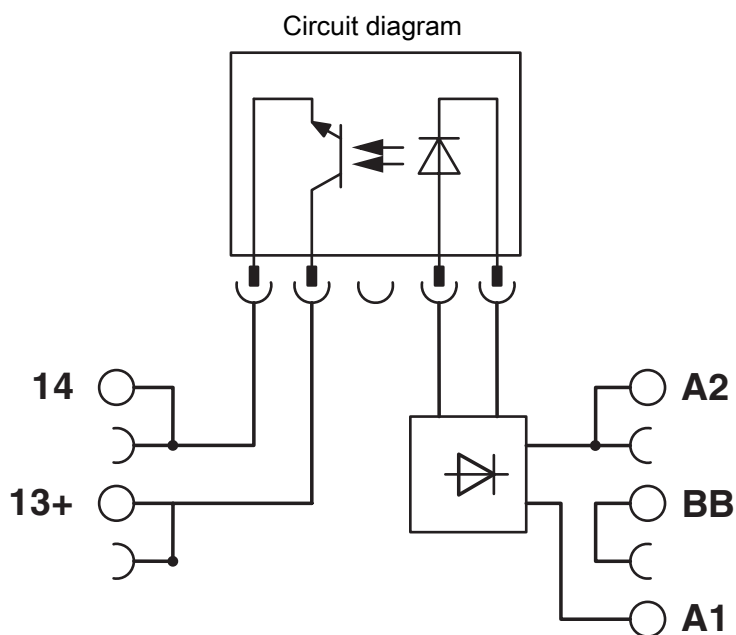
# PLC-OPT-120UC/48DC/100/V8C/SEN - Solid-state relay module



2904694

<https://www.phoenixcontact.com/us/products/2904694>

## Drawings



# PLC-OPT-120UC/48DC/100/V8C/SEN - Solid-state relay module



2904694

<https://www.phoenixcontact.com/us/products/2904694>

## Environmental product compliance

### China RoHS

Environment friendly use period (EFUP)	EFUP-50
	An article-related China RoHS declaration table can be found in the download area for the respective article under "Manufacturer declaration". For all articles with EFUP-E, no China RoHS declaration table issued and required.

### EU REACH SVHC

REACH candidate substance (CAS No.)	No substance above 0.1 wt%
-------------------------------------	----------------------------

Phoenix Contact 2026 © - all rights reserved  
<https://www.phoenixcontact.com>

Phoenix Contact USA  
586 Fulling Mill Road  
Middletown, PA 17057, United States  
(+717) 944-1300  
[info@phoenixcon.com](mailto:info@phoenixcon.com)