

TC-MACX-MCR-PTB - Power and error message module



2904673

<https://www.phoenixcontact.com/us/products/2904673>

Please be informed that the data shown in this PDF document is generated from our online catalog. Please find the complete data in the user documentation. Our general terms of use for downloads are valid.



Power and fault signaling module with screw connection, only for use on the Termination Carrier, excluding corresponding DIN rail bus connector

Your advantages

- Simple or redundant supply, decoupled from diode, protected against polarity reversal
- Installation in zone 2, protection type "n" (EN 60079-15) permitted
- Error message in the event of energy supply failure or fuse fault, can be selected and deselected via DIP switch
- Bus cable error message for MACX MCR-...(2)NAM... devices connected via DIN rail connectors, can be selected and deselected via DIP switch
- Relay output (changeover contact) and blinking LED for error messages
- Supply current up to 2 A (max. 2x 2,5 AT backup fuse required)
- May only be used on the Termination Carrier
- Undervoltage detection at the input, can be selected and deselected via DIP switch (set to 19.2 V supply voltage)

Commercial data

Item number	2904673
Packing unit	1 pc
Minimum order quantity	1 pc
Sales key	C420
Product key	DK27ZZ
GTIN	4046356892407
Weight per piece (including packing)	162.1 g
Weight per piece (excluding packing)	157.9 g
Customs tariff number	90303370
Country of origin	DE

TC-MACX-MCR-PTB - Power and error message module



2904673

<https://www.phoenixcontact.com/us/products/2904673>

Technical data

Notes

Notes on operation	For proper use, the specifications of the installation directive (see Downloads) must be observed. For applications or use with third-party products, the specifications, and the safety and warning instructions of the respective third-party manufacturer must also be met.
--------------------	--

Utilization restriction

EMC note	EMC: class A product, see manufacturer's declaration in the download area
----------	---

Product properties

Product type	Feed-in module
--------------	----------------

Insulation characteristics

Overvoltage category	II
Pollution degree	2

Input data

Signal

Voltage input signal	19.2 V DC ... 30 V DC
Polarization and surge protection	Yes

Output data

Switching: Relay

Contact switching type	1 changeover contact
Contact material	AgSnO, hard gold-plated
Maximum switching voltage	30 V AC/DC (2 A)

Signal

Max. current output signal	2 A (Redundancy range)
Output voltage	Input voltage - 0.7 V

Connection data

Connection method	Screw connection
Stripping length	7 mm
Screw thread	M3
Conductor cross-section rigid	0.2 mm ² ... 2.5 mm ²
Conductor cross-section flexible	0.2 mm ² ... 2.5 mm ²
Conductor cross-section AWG	24 ... 14
Tightening torque	0.5 Nm ... 0.6 Nm

Signaling

Status display	1 x red LED (error)
----------------	---------------------

TC-MACX-MCR-PTB - Power and error message module



2904673

<https://www.phoenixcontact.com/us/products/2904673>

	2x green LEDs (PWR1 and PWR2)
--	-------------------------------

Dimensions

Dimensional drawing	
Width	17.5 mm
Height	103.6 mm
Depth	113.7 mm
Depth NS 35/7,5	114.5 mm (Snapped onto DIN rail NS 35/7,5 in accordance with EN 60715)

Material specifications

Color	gray (RAL 7042)
Flammability rating according to UL 94 (Housing)	V0 (Housing)
Housing material	PA 6.6

Environmental and real-life conditions

Ambient conditions

Degree of protection	IP20
Ambient temperature (operation)	-20 °C ... 60 °C (only on Termination Carrier)
Ambient temperature (storage/transport)	-40 °C ... 80 °C
Altitude	≤ 2000 m
Permissible humidity (operation)	5 % ... 95 % (non-condensing)

Approvals

CE

Certificate	CE-compliant
-------------	--------------

ATEX

Identification	⊕ II 3 G Ex ec nC IIC T4 Gc X
----------------	-------------------------------

UKCA Ex (UKEX)

Identification	⊕ II 3G Ex ec nC IIC T4 Gc
Certificate	PxCIF21UKEX2904673X

UL, USA/Canada

Identification	UL 61010 Listed
	Class I, Div. 2, Groups A, B, C, D T5
	Class I, Zone 2, Group IIC

EMC data

TC-MACX-MCR-PTB - Power and error message module



2904673

<https://www.phoenixcontact.com/us/products/2904673>

Electromagnetic compatibility	Conformance with EMC directive
Noise immunity	EN 61000-6-2
Note	When being exposed to interference, there may be minimal deviations.

Noise emission

Standards/regulations	EN 61000-6-4
-----------------------	--------------

Conducted interference

Designation	Conducted interferences
Standards/regulations	EN 61000-4-6
Evaluation criterion	A

Mounting

Mounting type	DIN rail mounting
---------------	-------------------

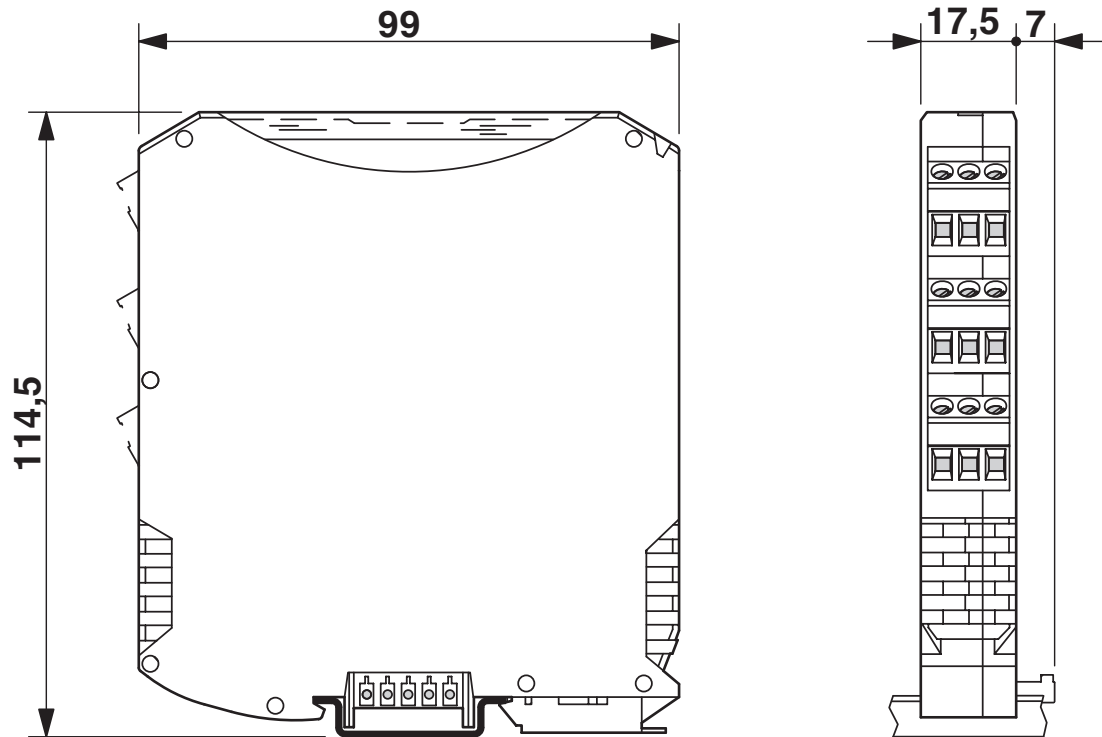
TC-MACX-MCR-PTB - Power and error message module

2904673

<https://www.phoenixcontact.com/us/products/2904673>

Drawings

Dimensional drawing



TC-MACX-MCR-PTB - Power and error message module



2904673

<https://www.phoenixcontact.com/us/products/2904673>

Approvals

To download certificates, visit the product detail page: <https://www.phoenixcontact.com/us/products/2904673>



EAC

Approval ID: RU*DE.*08.B.01536/19



UL Listed

Approval ID: E330267

	Nominal voltage U_N	Nominal current I_N	Cross section AWG	Cross section mm^2
keine				
	33 V	2 A	-	-



cUL Listed

Approval ID: E330267

	Nominal voltage U_N	Nominal current I_N	Cross section AWG	Cross section mm^2
keine				
	33 V	2 A	-	-

TC-MACX-MCR-PTB - Power and error message module



2904673

<https://www.phoenixcontact.com/us/products/2904673>

Classifications

ECLASS

ECLASS-13.0	27371392
ECLASS-15.0	27371392

ETIM

ETIM 10.0	EC002886
-----------	----------

UNSPSC

UNSPSC 21.0	39121100
-------------	----------

TC-MACX-MCR-PTB - Power and error message module



2904673

<https://www.phoenixcontact.com/us/products/2904673>

Environmental product compliance

EU RoHS

Fulfills EU RoHS substance requirements	Yes
Exemption	7(a), 7(c)-I

China RoHS

Environment friendly use period (EFUP)	EFUP-50
	An article-related China RoHS declaration table can be found in the download area for the respective article under "Manufacturer declaration". For all articles with EFUP-E, no China RoHS declaration table issued and required.

EU REACH SVHC

REACH candidate substance (CAS No.)	Lead(CAS: 7439-92-1)
SCIP	9fe87a7d-1f2b-480c-ba2c-6cb6d043bdd8

Phoenix Contact 2026 © - all rights reserved

<https://www.phoenixcontact.com>

Phoenix Contact USA
586 Fulling Mill Road
Middletown, PA 17057, United States
(+717) 944-1300
info@phoenixcon.com