

# VIP-CAB-FLK14/16/8,0M/S7 - Cable



2904523

<https://www.phoenixcontact.com/us/products/2904523>

Please be informed that the data shown in this PDF document is generated from our online catalog. Please find the complete data in the user documentation. Our general terms of use for downloads are valid.

Round cable set; controller: SIMATIC® TOP connect; connection 1: IDC/FLK socket strip (1x 16-position); connection 2: IDC/FLK socket strip (1x 14-position); cable length: 8 m



## Commercial data

|                                      |                                |
|--------------------------------------|--------------------------------|
| Item number                          | 2904523                        |
| Packing unit                         | 1 pc                           |
| Note                                 | Made to order (non-returnable) |
| Sales key                            | C02                            |
| Product key                          | DK2221                         |
| GTIN                                 | 4046356859295                  |
| Weight per piece (including packing) | 333.33 g                       |
| Weight per piece (excluding packing) | 333.33 g                       |
| Customs tariff number                | 85444290                       |
| Country of origin                    | DE                             |

# VIP-CAB-FLK14/16/8,0M/S7 - Cable



2904523

<https://www.phoenixcontact.com/us/products/2904523>

## Technical data

### Product properties

|              |              |
|--------------|--------------|
| Product type | System cable |
|--------------|--------------|

### Environmental and real-life conditions

#### Ambient conditions

|   |                  |
|---|------------------|
| Ambient temperature (operation)         | -20 °C ... 50 °C |
| Ambient temperature (storage/transport) | -20 °C ... 70 °C |

### Electrical properties

|                        |           |
|------------------------|-----------|
| Operating voltage (AC) | ≤ 50 V AC |
| Operating voltage (DC) | ≤ 60 V DC |
| Current (Per path)     | ≤ 1 A     |

### Cable/line

|              |     |
|--------------|-----|
| Cable length | 8 m |
|--------------|-----|

#### 14X0.14 [PVC]

|   |  |
|---|--|
| UL AWM Style                                  | 2464/1061  |
| Number of positions                           | 14   |
| Shielded                                      | no   |
| Cable type                                    | 14X0.14 [PVC]  |
| Conductor type                                | Round cable set  |
| Conductor structure signal line               | 7x 0.16 mm   |
| AWG signal line                               | 26   |
| Conductor cross-section                       | 14x 0.14 mm <sup>2</sup>   |
| Wire diameter incl. insulation                | 1 mm ±0.03 mm  |
| External cable diameter                       | 6.40 mm ±0.4 mm  |
| Outer sheath, material                        | Semi-rigid PVC   |
| External sheath, color                        | gray   |
| Conductor material                            | Tin-plated Cu litz wires   |
| Cable resistance                              | ≤ 145 Ω/km (20 °C)   |
| Insulation resistance                         | ≥ 20 MΩ*km (20 °C)   |
| Smallest bending radius, fixed installation   | 55 mm  |
| Smallest bending radius, movable installation | 104 mm   |
| Dynamic load capacity (bending)               | Max. bending cycles: 5000 (at a radius of ≥ 15x outside diameter)  |
| Halogen-free                                  | no   |
| Flame resistance                              | IEC 60332-1-2 (raw cable)<br>VDE 0842, Part 332-1-2 (raw cable)<br>IEC 60332-3-22 (raw cable)<br>UL VW-1<br>CSA FT-1 |

# VIP-CAB-FLK14/16/8,0M/S7 - Cable



2904523

<https://www.phoenixcontact.com/us/products/2904523>

|                   |   |
|-------------------|---|
| Resistance to oil | can withstand occasional splashes (raw cable) |
| Cable type        | Cable for one module                          |

## Connection data

### Field level

|                       |                      |
|-----------------------|----------------------|
| Connection method     | IDC/FLK socket strip |
| Number of connections | 1                    |
| Number of positions   | 14                   |
| Pitch                 | 2.54 mm              |

### Controller level

|                       |                      |
|-----------------------|----------------------|
| Connection method     | IDC/FLK socket strip |
| Number of connections | 1                    |
| Number of positions   | 16                   |
| Pitch                 | 2.54 mm              |

## Notes

|                    |  |
|--------------------|--|
| Notes on operation | For proper use, the specifications of the installation directive (see Downloads) must be observed. For applications or use with third-party products, the specifications, and the safety and warning instructions of the respective third-party manufacturer must also be met. |
|--------------------|--|

# VIP-CAB-FLK14/16/8,0M/S7 - Cable

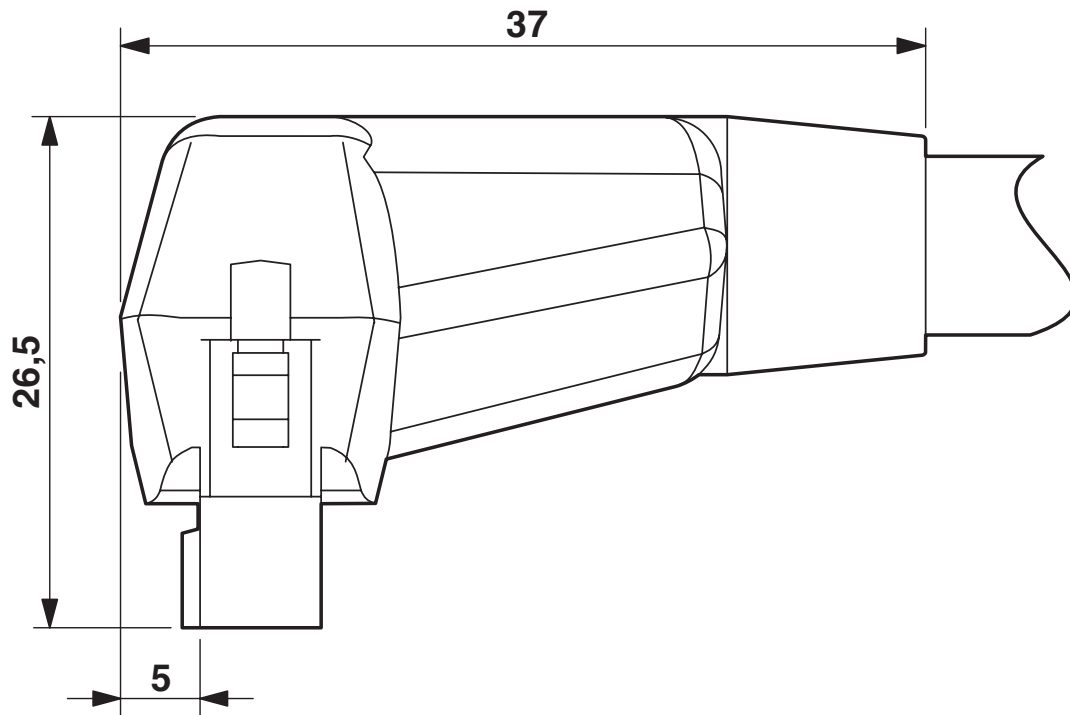
2904523

<https://www.phoenixcontact.com/us/products/2904523>



## Drawings

Dimensional drawing



# VIP-CAB-FLK14/16/8,0M/S7 - Cable



2904523

<https://www.phoenixcontact.com/us/products/2904523>

Connection diagram

| 14-pos.<br>Socket strip<br>PIN | 16-pos.<br>Socket strip<br>PIN | Wire color   |
|--------------------------------|--------------------------------|--------------|
| 1                              | 16                             | Black        |
| 2                              | 14                             | Brown        |
| 3                              | 12                             | Red          |
| 4                              | 10                             | Orange       |
| 5                              | 8                              | Yellow       |
| 6                              | 6                              | Green        |
| 7                              | 4                              | Blue         |
| 8                              | 2                              | Violet       |
| 9                              | 9                              | Gray         |
| 10                             | 1                              | White        |
| 11                             | 11                             | White-black  |
| 12                             | 3                              | White-brown  |
| 13                             | 13                             | White-red    |
| 14                             | 5                              | White-orange |
|                                | 7                              | -            |
|                                | 15                             | -            |

Pin assignment and color code

## Environmental product compliance

### China RoHS

|  |   |
|--|---|
| Environment friendly use period (EFUP) | EFUP-50   |
|  | An article-related China RoHS declaration table can be found in the download area for the respective article under "Manufacturer declaration". For all articles with EFUP-E, no China RoHS declaration table issued and required. |

### EU REACH SVHC

|                                     |                            |
|-------------------------------------|----------------------------|
| REACH candidate substance (CAS No.) | No substance above 0.1 wt% |
|-------------------------------------|----------------------------|

Phoenix Contact 2026 © - all rights reserved  
<https://www.phoenixcontact.com>

Phoenix Contact USA  
586 Fulling Mill Road  
Middletown, PA 17057, United States  
(+717) 944-1300  
[info@phoenixcon.com](mailto:info@phoenixcon.com)