

VIP-2/PT/PDM-2/16/FU 6.3A - Potential distributors



2903603

<https://www.phoenixcontact.com/us/products/2903603>

Please be informed that the data shown in this PDF document is generated from our online catalog. Please find the complete data in the user documentation. Our general terms of use for downloads are valid.

VARIOFACE module, with two equipotential busbars (P1, P2) for potential distribution, for mounting on NS 35 rails. Module width: 97.7 mm



Your advantages

- Consecutive numbering
- Two potential levels
- Separate supply

Commercial data

Item number	2903603
Packing unit	1 pc
Minimum order quantity	1 pc
Sales key	C423
Product key	DK2124
GTIN	4046356948166
Weight per piece (including packing)	273.466 g
Weight per piece (excluding packing)	220 g
Customs tariff number	85369010
Country of origin	US

Technical data

Notes

Type of insulation housing	Polyamide PA non-reinforced
Notes on operation	For proper use, the specifications of the installation directive (see Downloads) must be observed. For applications or use with third-party products, the specifications, and the safety and warning instructions of the respective third-party manufacturer must also be met.

Product properties

Product type	Potential distributor
Product family	VARIOFACE Professional

Insulation characteristics

Overvoltage category	II
Pollution degree	2

Electrical properties

Operating voltage (AC/DC)	250 V AC/DC
Current (per branch)	≤ 6.3 A (fuse limited)
Current (Total current)	≤ 30 A (per potential)

Connection data

Feed-in

Connection method	Push-in connection
Stripping length	15 mm
Number of connections	2
Conductor cross-section rigid	0.2 mm ² ... 10 mm ²
Conductor cross-section flexible	0.2 mm ² ... 6 mm ²
Conductor cross-section AWG	24 ... 8

Distribution

Connection method	Push-in connection
Stripping length	8 mm
Number of connections	8
Number of positions	2
Conductor cross-section rigid	0.14 mm ² ... 2.5 mm ²
Conductor cross-section flexible	0.14 mm ² ... 2.5 mm ²
Conductor cross-section AWG	26 ... 14

Dimensions

Item dimensions

Width	97.7 mm
Height	109.8 mm

VIP-2/PT/PDM-2/16/FU 6.3A - Potential distributors



2903603

<https://www.phoenixcontact.com/us/products/2903603>

Depth	51 mm
-------	-------

Material specifications

Color	gray (RAL 7042)
-------	-----------------

Environmental and real-life conditions

Ambient conditions

Ambient temperature (operation)	-20 °C ... 60 °C
Ambient temperature (storage/transport)	-20 °C ... 70 °C
Altitude	< 2000 m
Permissible humidity (operation)	90 %
Permissible humidity (storage/transport)	90 %

Standards and regulations

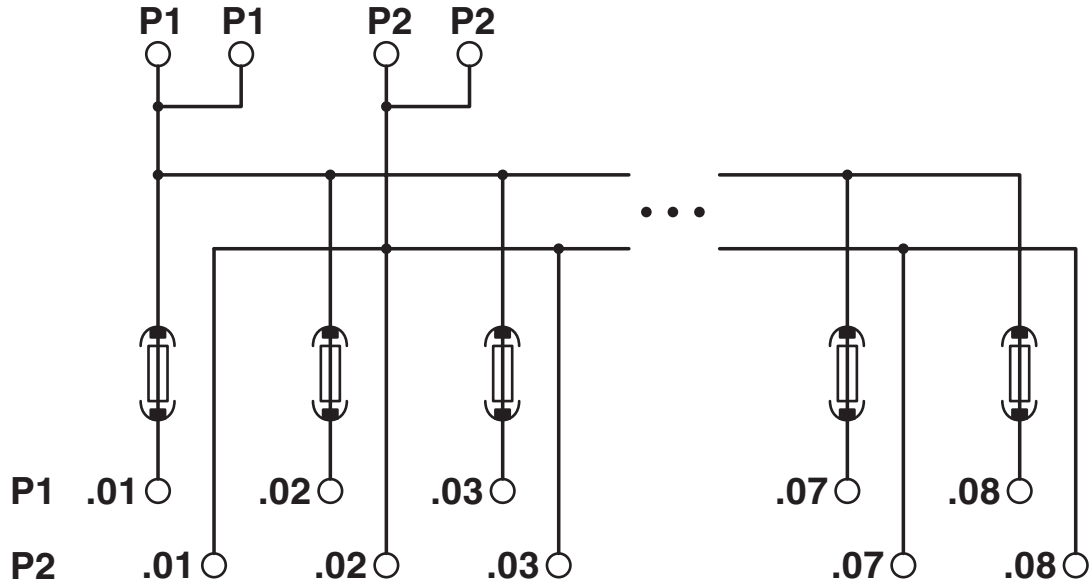
Standards/regulations	EN IEC 61010-2-201
-----------------------	--------------------

Mounting

Mounting type	DIN rail mounting
Mounting position	any

Drawings

Circuit diagram



P1 circuits fused...P2 circuits unfused

VIP-2/PT/PDM-2/16/FU 6.3A - Potential distributors





2903603


<https://www.phoenixcontact.com/us/products/2903603>

Approvals

To download certificates, visit the product detail page: <https://www.phoenixcontact.com/us/products/2903603>

 CSA Approval ID: 2122203				
	Nominal voltage U_N	Nominal current I_N	Cross section AWG	Cross section mm^2
keine				
	250 V	30 A	24 - 8	-
per branch	-	6.3 A	-	-

 cUL Recognized Approval ID: E238705				
	Nominal voltage U_N	Nominal current I_N	Cross section AWG	Cross section mm^2
keine				
	250 V	30 A	24 - 8	-
per branch	-	6.3 A	-	-

 UL Recognized Approval ID: E238705				
	Nominal voltage U_N	Nominal current I_N	Cross section AWG	Cross section mm^2
keine				
	250 V	30 A	24 - 8	-
per branch	-	6.3 A	-	-

VIP-2/PT/PDM-2/16/FU 6.3A - Potential distributors



2903603

<https://www.phoenixcontact.com/us/products/2903603>

Classifications

ECLASS

ECLASS-13.0	27400609
ECLASS-15.0	27400609

ETIM

ETIM 10.0	EC001894
-----------	----------

UNSPSC

UNSPSC 21.0	39121400
-------------	----------

VIP-2/PT/PDM-2/16/FU 6.3A - Potential distributors



2903603

<https://www.phoenixcontact.com/us/products/2903603>

Environmental product compliance

EU RoHS

Fulfills EU RoHS substance requirements	Yes, No exemptions
---	--------------------

China RoHS

Environment friendly use period (EFUP)	EFUP-E
	No hazardous substances above the limits

EU REACH SVHC

REACH candidate substance (CAS No.)	No substance above 0.1 wt%
-------------------------------------	----------------------------

Phoenix Contact 2026 © - all rights reserved
<https://www.phoenixcontact.com>

Phoenix Contact USA
586 Fulling Mill Road
Middletown, PA 17057, United States
(+717) 944-1300
info@phoenixcon.com