

RIF-1-RSC-LDP-24DC/2X21 - Relay module



2903350

<https://www.phoenixcontact.com/us/products/2903350>

Please be informed that the data shown in this PDF document is generated from our online catalog. Please find the complete data in the user documentation. Our general terms of use for downloads are valid.



Preassembled relay module with screw connection, consisting of: relay base, power contact relay, plug-in display/interference suppression module, and retaining bracket. Contact switching type: 2 changeover contacts. Input voltage: 24 V DC

Product description

The pluggable electromechanical and solid-state relays in the RIFLINE complete product range and the base are recognized and approved in accordance with UL 508. The relevant approvals can be called up at the individual components in question.

Commercial data

| | |
|--------------------------------------|---------------|
| Item number | 2903350 |
| Packing unit | 10 pc |
| Minimum order quantity | 10 pc |
| Sales key | C465 |
| Product key | DK6519 |
| GTIN | 4046356732130 |
| Weight per piece (including packing) | 70.15 g |
| Weight per piece (excluding packing) | 70 g |
| Customs tariff number | 85364190 |
| Country of origin | CN |

RIF-1-RSC-LDP-24DC/2X21 - Relay module



2903350

<https://www.phoenixcontact.com/us/products/2903350>

Set consists of

RIF-1-BSC/2X21 - Relay base

2900930

<https://www.phoenixcontact.com/us/products/2900930>

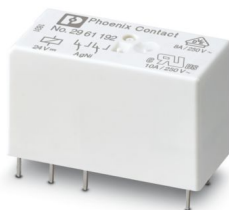


RIF-1... relay base, for miniature power relay with 1 or 2 changeover contacts or identical solid-state relays, screw connection, plug-in option for input/interference suppression modules, for mounting on NS 35/7,5

REL-MR- 24DC/21-21 - Single relay

2961192

<https://www.phoenixcontact.com/us/products/2961192>



Plug-in miniature power relay, with power contact, 2 changeover contacts, input voltage 24 V DC

RIF-1-RSC-LDP-24DC/2X21 - Relay module

2903350

<https://www.phoenixcontact.com/us/products/2903350>



RIF-LDP-12-24 DC - Plug-in module

2900939

<https://www.phoenixcontact.com/us/products/2900939>



Plug-in module, for mounting on RIF-1, RIF-2, RIF-3, and RIF-4, with freewheeling diode and yellow LED, polarity: A1+, A2-, input voltage: 12 V DC ... 24 V DC $\pm 30\%$

RIF-RH-1 - Retaining bracket

2900953

<https://www.phoenixcontact.com/us/products/2900953>



Relay retaining bracket, with ejector function and holder for marking material, suitable for RIF-1 relay base, for 16 mm tall miniature power relay and solid-state relay

Technical data

Notes

| | |
|--------------------|---|
| Notes on operation | FBS 2-6... plug-in bridge for the input side (A2) and FBS-2-8... plug-in bridge for the output side (11/21) |
|--------------------|---|

Product properties

| | |
|-------------------------|--------------------------------|
| Product type | Relay Module |
| Product family | RIFLINE complete |
| Application | Universal |
| Operating mode | 100% operating factor |
| Mechanical service life | approx. 3×10^7 cycles |

Insulation characteristics

| | |
|----------------------|--|
| Insulation | Safe isolation between input and output |
| | Basic insulation between the changeover contacts |
| Overvoltage category | III |
| Pollution degree | 2 |

Data management status

| | |
|------------------------------|------------|
| Date of last data management | 12.09.2025 |
|------------------------------|------------|

Electrical properties

| | |
|--|--|
| Service life electrical | see diagram |
| Maximum power dissipation for nominal condition | 0.43 W |
| Test voltage (Winding/contact) | 4 kV _{rms} (50 Hz, 1 min., winding/contact) |
| Test voltage (Changeover contact/changeover contact) | 2.5 kV _{rms} (50 Hz, 1 min., changeover contact/changeover contact) |
| Rated insulation voltage | 250 V AC |
| Rated surge voltage | 6 kV (Input/output) |
| | 4 kV (between the changeover contacts) |

Input data

Coil side

| | |
|---|---------------------------------|
| Nominal input voltage U_N | 24 V DC |
| Input voltage range | 19.2 V DC ... 33.6 V DC (20 °C) |
| Input voltage range in reference to U_N | see diagram |
| Drive and function | monostable |
| Drive (polarity) | polarized |
| Typical input current at U_N | 18 mA |
| Typical response time | 8 ms |
| Typical release time | 10 ms |
| Coil voltage | 24 V DC |
| Protective circuit | Freewheeling diode |

RIF-1-RSC-LDP-24DC/2X21 - Relay module



2903350

<https://www.phoenixcontact.com/us/products/2903350>

| | |
|---------------------------|------------|
| Operating voltage display | Yellow LED |
|---------------------------|------------|

Output data

Switching

| | |
|--|---|
| Contact switching type | 2 changeover contacts |
| Type of switch contact | Single contact |
| Contact material | AgNi |
| Maximum switching voltage | 250 V AC/DC |
| Minimum switching voltage | 5 V (10 mA) |
| Limiting continuous current | 8 A (see diagram) |
| Maximum inrush current | 25 A (20 ms, N/O contacts) |
| Min. switching current | 10 mA (5 V) |
| Interrupting rating (ohmic load) max. | 192 W (at 24 V DC) 96 W (at 48 V DC) 60 W (at 60 V DC) 44 W (at 110 V DC) 57 W (at 220 V DC) 2000 VA (for 250 V AC) |
| Utilization category CB Scheme (IEC 60947-5-1) | AC15, 1.5 A/240 V (N/O contact) AC15, 2 A/250 V (N/C contact) DC13, 2 A/24 V (N/C contact) DC13, 0.2 A/250 V (N/O contact) |

Connection data

| | |
|---|---|
| Connection method | Screw connection |
| Stripping length | 8 mm |
| Conductor cross-section rigid | 0.5 mm ² ... 4 mm ² |
| Conductor cross-section rigid (2 conductors with same cross section) | 0.5 mm ² ... 2.5 mm ² |
| Conductor cross-section flexible | 0.5 mm ² ... 4 mm ² 0.5 mm ² ... 4 mm ² (Ferrule with plastic sleeve) |
| Conductor cross-section flexible (2 conductors with same cross section) | 0.5 mm ² ... 2.5 mm ² 0.5 mm ² ... 1.5 mm ² (TWIN ferrule with plastic sleeve) |
| Conductor cross-section AWG | 20 ... 10 (solid) 20 ... 12 (flexible) |
| Tightening torque | 0.5 Nm ... 0.6 Nm |

Dimensions

Item dimensions

| | |
|--------|-------|
| Width | 16 mm |
| Height | 90 mm |
| Depth | 75 mm |

Material specifications

RIF-1-RSC-LDP-24DC/2X21 - Relay module



2903350

<https://www.phoenixcontact.com/us/products/2903350>

| | |
|--|-----------------|
| Color | gray (RAL 7042) |
| Flammability rating according to UL 94 (Housing) | V2 (Housing) |

Environmental and real-life conditions

Ambient conditions

| | |
|---|-------------------|
| Degree of protection (Relay base) | IP20 (Relay base) |
| Degree of protection (Relay) | RT III (Relay) |
| Ambient temperature (operation) | -40 °C ... 70 °C |
| Ambient temperature (storage/transport) | -40 °C ... 85 °C |

Approvals

Corrosive gas test

| | |
|----------------|----------------------------|
| Identification | ISA-S71.04. G3 Harsh Group |
| | EN 60068-2-60 |

Standards and regulations

| | |
|-----------------------|---------------|
| Standards/regulations | IEC 60947-5-1 |
|-----------------------|---------------|

Mounting

| | |
|-------------------|---------------------------|
| Mounting type | DIN rail mounting |
| Assembly note | in rows with zero spacing |
| Mounting position | any |

Drawings

Diagram



① DC coils

② AC coils

Operating voltage range



Interrupting rating

Diagram



Contact derating

2903350

<https://www.phoenixcontact.com/us/products/2903350>

Diagram



- ① 250 V AC, ohmic load (DC coils)
- ② 250 V AC, ohmic load (AC coils)

Electrical service life

Diagram



Service life reduction factor



Permissible humidity for operation and storage.

The maximum permissible ambient temperature as specified in the data sheet must be observed.

Area A: Ice buildup at ambient temperatures $\leq 0^\circ\text{C}$ must be prevented

Area B: Condensation at ambient temperatures $> 0^\circ\text{C}$ must be prevented

On 30 full days that are naturally distributed across an entire year, a humidity level of 95% is permissible at an ambient temperature $\leq 25^\circ\text{C}$.

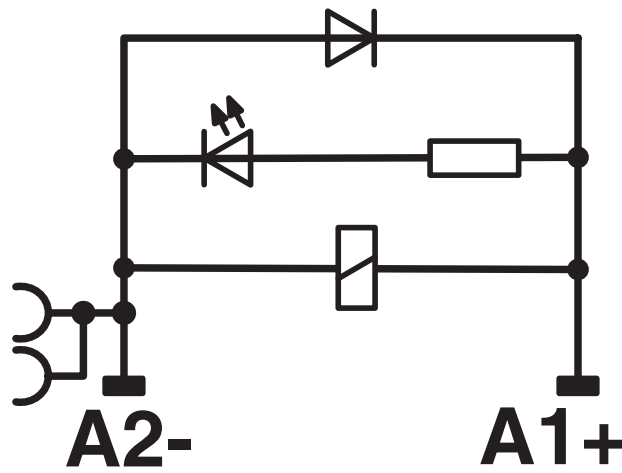
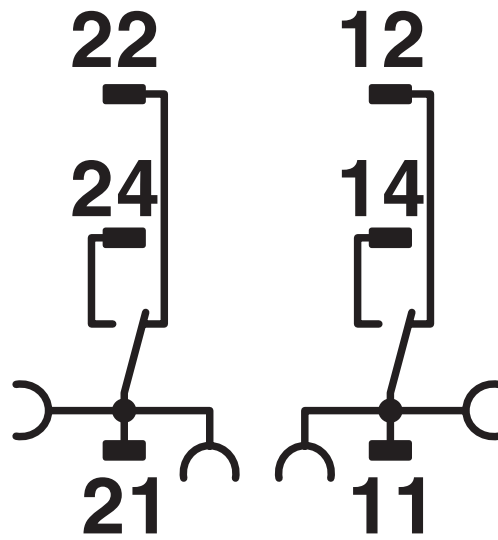
RIF-1-RSC-LDP-24DC/2X21 - Relay module



2903350

<https://www.phoenixcontact.com/us/products/2903350>

Circuit diagram



DC coils

RIF-1-RSC-LDP-24DC/2X21 - Relay module



2903350

<https://www.phoenixcontact.com/us/products/2903350>

Classifications

ECLASS

ECLASS-13.0

27371601

ETIM

ETIM 9.0

EC001437

UNSPSC

UNSPSC 21.0

39122300

RIF-1-RSC-LDP-24DC/2X21 - Relay module



2903350

<https://www.phoenixcontact.com/us/products/2903350>

Environmental product compliance

EU RoHS

| | |
|---|--------------|
| Fulfills EU RoHS substance requirements | Yes |
| Exemption | 7(a), 7(c)-I |

China RoHS

| | |
|--|---|
| Environment friendly use period (EFUP) | EFUP-50 |
| | An article-related China RoHS declaration table can be found in the download area for the respective article under "Manufacturer declaration". For all articles with EFUP-E, no China RoHS declaration table issued and required. |

EU REACH SVHC

| | |
|-------------------------------------|--------------------------------------|
| REACH candidate substance (CAS No.) | Lead(CAS: 7439-92-1) |
| SCIP | 44f8f726-29d1-4b9a-a5ea-0b9f5f376dec |

EF3.1 Climate Change

| | |
|---------|--------------|
| CO2e kg | 0.86 kg CO2e |
|---------|--------------|

Phoenix Contact 2026 © - all rights reserved
<https://www.phoenixcontact.com>

Phoenix Contact USA
586 Fulling Mill Road
Middletown, PA 17057, United States
(+717) 944-1300
info@phoenixcon.com