

# DFLK-D25 SUB/M/FKCT - Termination board



2903055

<https://www.phoenixcontact.com/us/products/2903055>

Please be informed that the data shown in this PDF document is generated from our online catalog. Please find the complete data in the user documentation. Our general terms of use for downloads are valid.



The VARIOFACE feed-through module implements a 1:1 connection between plug-in push-in spring-cage connection terminal blocks and a D-SUB miniature pin strip (number of positions: 25). A separate ground pick-off is available.

## Commercial data

Item number	2903055
Packing unit	1 pc
Minimum order quantity	1 pc
Sales key	C422
Product key	DK21C2
GTIN	4046356709422
Weight per piece (including packing)	110 g
Weight per piece (excluding packing)	112.3 g
Customs tariff number	85366990
Country of origin	DE

## Technical data

### Product properties

Product type	Interface module
Product family	VARIOFACE
Number of positions	25

### Insulation characteristics: Air clearances and creepage distances

Insulation	Functional insulation
Overvoltage category	II
Pollution degree	2

### Electrical properties

Operating voltage (AC)	≤ 30 V AC
Operating voltage (DC)	≤ 60 V DC
Current (per branch)	≤ 2.5 A
Current (Total current)	≤ 50 A (50 °C)

### Air clearances and creepage distances

Rated insulation voltage	125 V
Rated surge voltage	1.2 kV (1.2/50 μs)

### Connection data

#### Connection 1 (control level)

Connection in acc. with standard	IEC 60807-2
Connection method	D-SUB pin strip
Screw thread	UNC 4-40
Number of connections	1
Number of positions	25
Insertion/withdrawal cycles	> 500
Pitch	2.77 mm

#### Connection 2 (field level)

Connection method	Push-in spring connection
Stripping length	10 mm
Number of positions	26
Conductor cross-section rigid	0.2 mm <sup>2</sup> ... 2.5 mm <sup>2</sup>
Conductor cross-section flexible	0.2 mm <sup>2</sup> ... 2.5 mm <sup>2</sup>
	0.25 mm <sup>2</sup> ... 2.5 mm <sup>2</sup> (Ferrule without plastic sleeve)
	0.25 mm <sup>2</sup> ... 2.5 mm <sup>2</sup> (Ferrule with plastic sleeve)
Conductor cross-section flexible (2 conductors with same cross section)	0.5 mm <sup>2</sup> ... 1.5 mm <sup>2</sup> (TWIN ferrule with plastic sleeve)
Conductor cross-section AWG	24 ... 12
Pitch	5 mm

# DFLK-D25 SUB/M/FKCT - Termination board



2903055

<https://www.phoenixcontact.com/us/products/2903055>

## Signaling

Status display present	no
------------------------	----

## Dimensions

### Item dimensions

Width	38 mm
Height	83.4 mm
Depth	46 mm

## Material specifications

Color	gray (RAL 7042)
Housing insulation material	Polyamide PA non-reinforced

## Environmental and real-life conditions

### Ambient conditions

Degree of protection (Module)	IP20
Degree of protection (Installation location)	≥ IP54
Ambient temperature (operation)	-20 °C ... 50 °C
Ambient temperature (storage/transport)	-20 °C ... 70 °C
Altitude	≤ 2000 m

## Approvals

### UKCA

Certificate	UKCA-compliant
-------------	----------------

## Standards and regulations

### Air clearances and creepage distances

Standards/regulations	EN IEC 60664-1
-----------------------	----------------

## Mounting

Mounting type	Rear mounting
Mounting position	any

## Notes

Notes on operation	For proper use, the specifications of the installation directive (see Downloads) must be observed. For applications or use with third-party products, the specifications, and the safety and warning instructions of the respective third-party manufacturer must also be met.
--------------------	--

# DFLK-D25 SUB/M/FKCT - Termination board

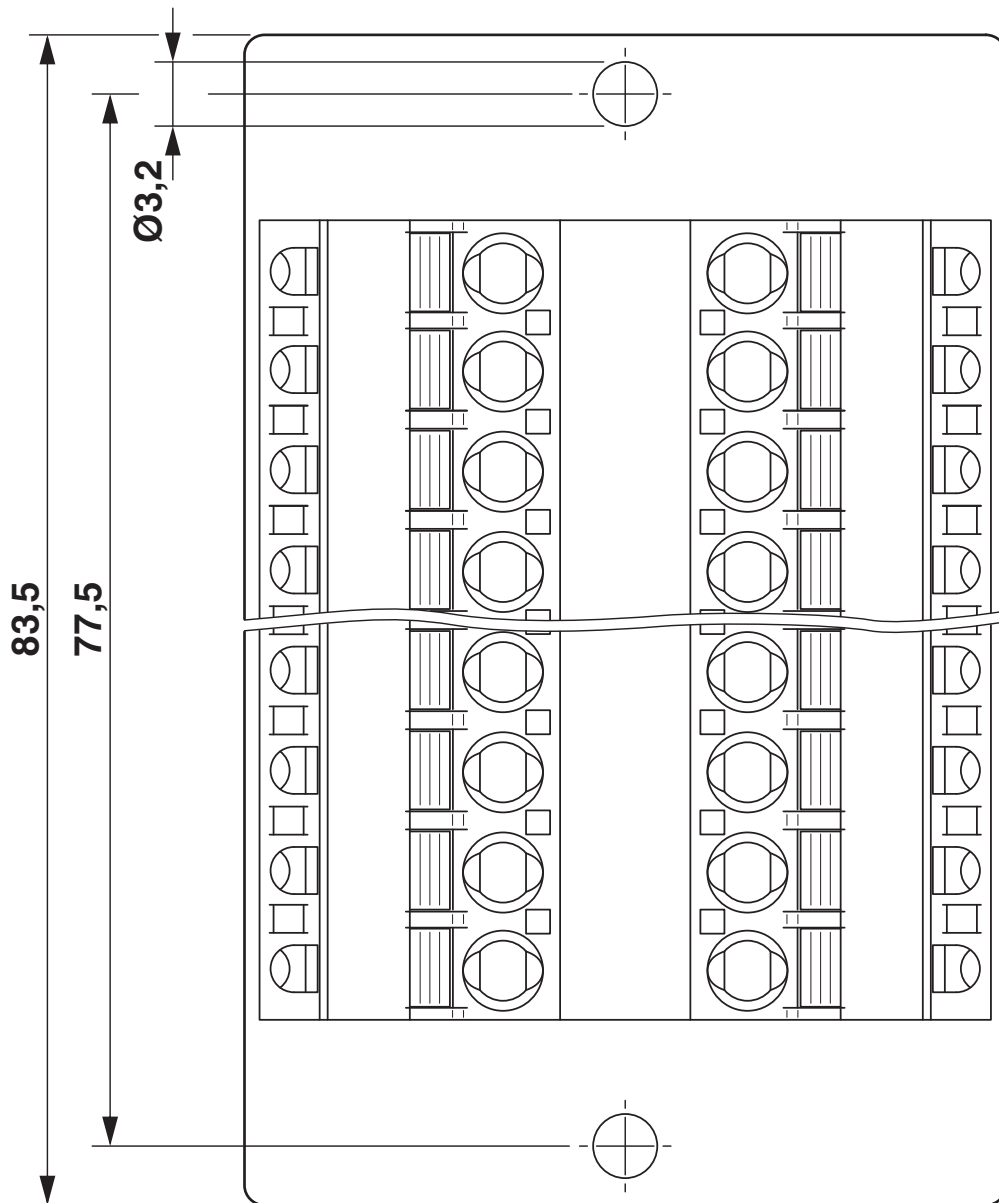


2903055

<https://www.phoenixcontact.com/us/products/2903055>

## Drawings

Dimensional drawing

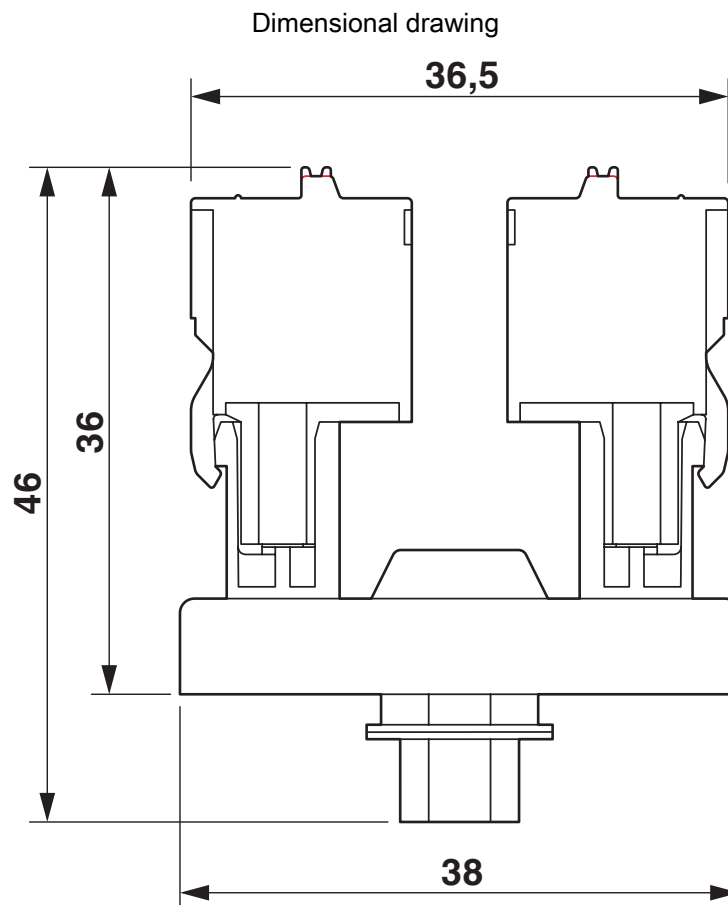
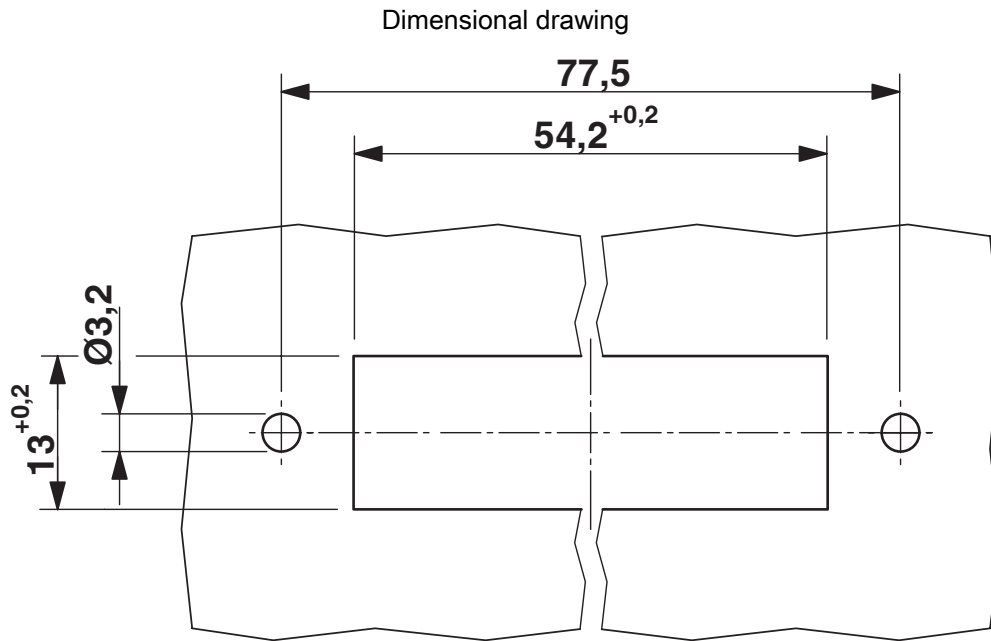


# DFLK-D25 SUB/M/FKCT - Termination board



2903055

<https://www.phoenixcontact.com/us/products/2903055>



# DFLK-D25 SUB/M/FKCT - Termination board



2903055

<https://www.phoenixcontact.com/us/products/2903055>

## Approvals

To download certificates, visit the product detail page: <https://www.phoenixcontact.com/us/products/2903055>

 <b>cUL Recognized</b> Approval ID: E238705				
	Nominal voltage $U_N$	Nominal current $I_N$	Cross section AWG	Cross section $mm^2$
keine				
	125 V	1 A	30 - 12	-

 <b>UL Recognized</b> Approval ID: E238705				
	Nominal voltage $U_N$	Nominal current $I_N$	Cross section AWG	Cross section $mm^2$
keine				
	125 V	1 A	30 - 12	-

# DFLK-D25 SUB/M/FKCT - Termination board



2903055

<https://www.phoenixcontact.com/us/products/2903055>

## Classifications

### ECLASS

ECLASS-13.0	27141152
ECLASS-15.0	27141152

### ETIM

ETIM 10.0	EC002780
-----------	----------

### UNSPSC

UNSPSC 21.0	39121400
-------------	----------

# DFLK-D25 SUB/M/FKCT - Termination board



2903055

<https://www.phoenixcontact.com/us/products/2903055>

## Environmental product compliance

### EU RoHS

Fulfills EU RoHS substance requirements	Yes, No exemptions
---	--------------------

### China RoHS

Environment friendly use period (EFUP)	EFUP-E
	No hazardous substances above the limits

### EU REACH SVHC

REACH candidate substance (CAS No.)	No substance above 0.1 wt%
-------------------------------------	----------------------------

Phoenix Contact 2026 © - all rights reserved  
<https://www.phoenixcontact.com>

Phoenix Contact USA  
586 Fulling Mill Road  
Middletown, PA 17057, United States  
(+717) 944-1300  
[info@phoenixcon.com](mailto:info@phoenixcon.com)