

TC-2D37SUB-DO16-F&G-AR-UNI - Module carrier



2902914

<https://www.phoenixcontact.com/us/products/2902914>

Please be informed that the data shown in this PDF document is generated from our online catalog. Please find the complete data in the user documentation. Our general terms of use for downloads are valid.



Universal Termination Carrier for redundantly connecting 16 PSR-ETP modules to digital output cards, via two D-SUB connectors, 37-pos. (1:1 connection). Solution for Fire & Gas (F&G) applications

Your advantages

- Mechanically decoupled, passive PCB
- Robust aluminum profile with integrated DIN rail
- Side parts with integrated end clamps
- Redundant D-SUB pin strip system connection, 37-pos. (1:1 connection)
- Simple or redundant supply, decoupled from diode, protected against polarity reversal
- Error message in the event of power supply failure or fuse fault
- Relay output (N/O contact, floating) and flashing LED for error message
- Undervoltage monitoring at input at < 18 V DC
- Suitable for safe state on applications
- Cable sets for signal connection are not supplied as standard and must be ordered separately

Commercial data

Item number	2902914
Packing unit	1 pc
Note	Made to order (non-returnable)
Sales key	C420
Product key	DK275W
GTIN	4046356703710
Weight per piece (including packing)	1,521 g
Weight per piece (excluding packing)	1,521 g
Customs tariff number	85366990
Country of origin	DE

Technical data

Notes

Notes on operation	For proper use, the specifications of the installation directive (see Downloads) must be observed. For applications or use with third-party products, the specifications, and the safety and warning instructions of the respective third-party manufacturer must also be met.
--------------------	--

Product properties

Product type	Module carrier
--------------	----------------

Insulation characteristics: Air clearances and creepage distances

Insulation	Basic insulation
------------	------------------

Electrical properties

Max. permissible current	1 A (Signal/channel)
Nominal voltage U_N	< 50 V DC (Per signal/channel)

Air clearances and creepage distances

Rated insulation voltage	50 V
Rated surge voltage	0.5 kV

Supported controller: universal

Suitable I/O card	universal
-------------------	-----------

Supply

Designation	Device supply
Fuse	2.5 A on PCB, slow-blow (replaceable)
Input voltage range	21.1 V DC ... 26.4 V DC
Input current	≤ 2 A
Redundant supply	yes, decoupled from diodes
Polarization and surge protection	Yes
Output name	Switching output
Contact switching type	1 N/C contact (alarm = open)

Connection data

Power supply

Connection method	Screw connection
Stripping length	7 mm
Number of connections	1
Number of positions	6
Conductor cross-section rigid	0.14 mm ² ... 2.5 mm ²
Conductor cross-section flexible	0.14 mm ² ... 2.5 mm ²
Conductor cross-section AWG	24 ... 12

Controller level

2902914

<https://www.phoenixcontact.com/us/products/2902914>

Connection method	D-SUB pin strip
Number of connections	2
Number of positions	37

Signaling

Status display	2 x red LED (error)
	2x green LEDs (PWR1 and PWR2)

Dimensions

Width	304 mm
Height	170 mm
Depth	159.5 mm

Material specifications

Flammability rating according to UL 94	V0
--	----

Environmental and real-life conditions

Ambient conditions

Degree of protection	IP00
Ambient temperature (operation)	-20 °C ... 60 °C
Ambient temperature (storage/transport)	-40 °C ... 80 °C
Altitude	≤ 2000 m
Permissible humidity (operation)	5 % ... 95 % (non-condensing)
Shock	15g, according to IEC 60068-2-27
Vibration (operation)	2g, according to IEC 60068-2-6

Approvals

UL, USA/Canada

Identification	UL 61010 Listed
	Class I, Div. 2, Groups A, B, C, D T4
	Class I, Zone 2, Group IIC

Standards and regulations

Air clearances and creepage distances

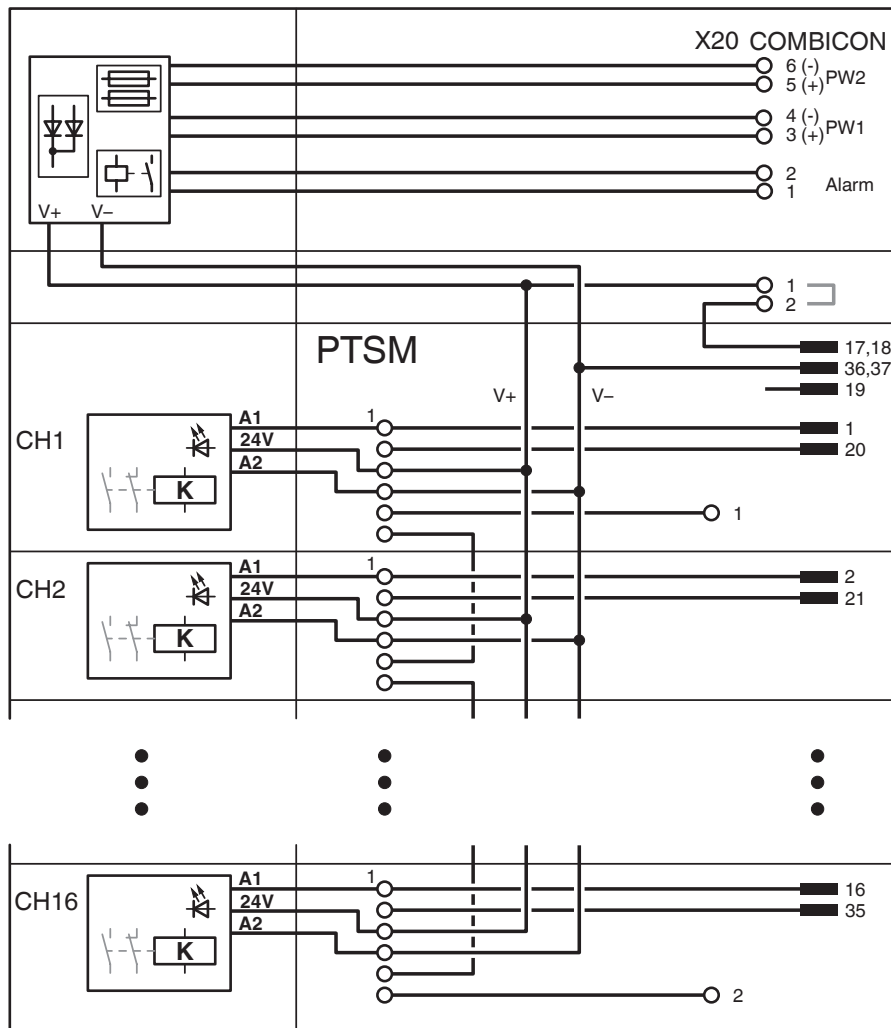
Standards/regulations	DIN EN 50178
-----------------------	--------------

Mounting

Mounting type	DIN rail mounting
Assembly note	No end clamp
Mounting position	vertical, horizontal

Drawings

Circuit diagram



Connection scheme TC-2D37SUB-DO16-F&G-AR-UNI

TC-2D37SUB-DO16-F&G-AR-UNI - Module carrier



2902914

<https://www.phoenixcontact.com/us/products/2902914>

Classifications

UNSPSC

UNSPSC 21.0	39121400
-------------	----------

2902914

<https://www.phoenixcontact.com/us/products/2902914>

Environmental product compliance

EU RoHS

Fulfills EU RoHS substance requirements	Yes
Exemption	6(c), 7(a), 7(c)-I

China RoHS

Environment friendly use period (EFUP)	EFUP-50
	An article-related China RoHS declaration table can be found in the download area for the respective article under "Manufacturer declaration". For all articles with EFUP-E, no China RoHS declaration table issued and required.

EU REACH SVHC

REACH candidate substance (CAS No.)	Lead(CAS: 7439-92-1)
-------------------------------------	----------------------

Phoenix Contact 2026 © - all rights reserved
<https://www.phoenixcontact.com>

Phoenix Contact USA
586 Fulling Mill Road
Middletown, PA 17057, United States
(+717) 944-1300
info@phoenixcon.com