

# VAL-MS 350 VF/1+1-FM - Type 2 surge arrester



2902577

<https://www.phoenixcontact.com/us/products/2902577>

Please be informed that the data shown in this PDF document is generated from our online catalog. Please find the complete data in the user documentation. Our general terms of use for downloads are valid.



Plug-in surge arrester free of leakage current for 1-phase power supply networks with separate N and PE (3-conductor system: L1, N, PE), with remote indication contact.

## Commercial data

Item number	2902577
Packing unit	1 pc
Note	Made to order (non-returnable)
Sales key	NULL
Product key	CL1321
GTIN	4046356912853
Weight per piece (including packing)	225.21 g
Weight per piece (excluding packing)	225.21 g
Customs tariff number	85363030
Country of origin	DE

# VAL-MS 350 VF/1+1-FM - Type 2 surge arrester



2902577

<https://www.phoenixcontact.com/us/products/2902577>

## Technical data

### Product properties

Product type	Surge arrester
Product family	VALVETRAB MS
IEC test classification	II T2
EN type	T2
IEC power supply system	TN-S TT
Type	DIN rail module, two-section, divisible
Number of positions	2
Surge protection fault message	Optical, remote indicator contact
Number of ports	One

### Insulation characteristics

Overvoltage category	III
Pollution degree	2

### Electrical properties

Nominal frequency $f_N$	50 Hz (60 Hz)
-------------------------	---------------

### Indicator/remote signaling

Connection name	Remote fault indicator contact
Switching function	Changeover contact
Operating voltage	5 V AC ... 250 V AC 30 V DC
Operating current	5 mA AC ... 1.5 A AC 1 A DC

### Connection data

Connection method	Screw connection
Screw thread	M5
Tightening torque	3 Nm (1.5 mm <sup>2</sup> ... 16 mm <sup>2</sup> ) 4.5 Nm (25 mm <sup>2</sup> ... 35 mm <sup>2</sup> )
Stripping length	16 mm
Conductor cross-section flexible	1.5 mm <sup>2</sup> ... 25 mm <sup>2</sup>
Conductor cross-section rigid	1.5 mm <sup>2</sup> ... 35 mm <sup>2</sup>
Conductor cross-section AWG	15 ... 2
Connection method	Fork-type cable lug
Conductor cross-section flexible	1.5 mm <sup>2</sup> ... 16 mm <sup>2</sup>

### Remote fault indicator contact

Connection method	Plug-in/screw connection via COMBICON
Screw thread	M2

# VAL-MS 350 VF/1+1-FM - Type 2 surge arrester

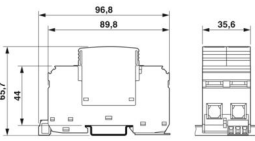


2902577

<https://www.phoenixcontact.com/us/products/2902577>

Tightening torque	0.25 Nm
Stripping length	7 mm
Conductor cross-section flexible	0.14 mm <sup>2</sup> ... 1.5 mm <sup>2</sup>
Conductor cross-section rigid	0.14 mm <sup>2</sup> ... 1.5 mm <sup>2</sup>
Conductor cross-section AWG	28 ... 16

## Dimensions

Dimensional drawing	
Width	35.6 mm
Height	96.8 mm
Depth	65.7 mm (incl. DIN rail 7.5 mm)
Horizontal pitch	2 Div.

## Material specifications

Flammability rating according to UL 94	V-0
CTI value of material	600
Insulating material	PA 6.6/ PBT
Material group	I
Housing material	PA 6.6 PBT

## Protective circuit

Mode of protection	L-N
	L-PE
	N-PE
Direction of action	1L-N & N-PE
Nominal voltage $U_N$	240/415 V AC (TN-S)
	240/415 V AC (TT)
Nominal frequency $f_N$	50 Hz (60 Hz)
Maximum continuous operating voltage $U_C$ (L-N)	350 V AC
Maximum continuous operating voltage $U_C$ (L-PE)	350 V AC
Maximum continuous operating voltage $U_C$ (N-PE)	260 V AC
Rated load current $I_L$	80 A
Protective conductor current $I_{PE}$	$\leq 5 \mu\text{A}$
Standby power consumption $P_C$	$\leq 2 \text{ mVA}$
Nominal discharge current $I_n$ (8/20) $\mu\text{s}$ (L-N)	10 kA
Nominal discharge current $I_n$ (8/20) $\mu\text{s}$ (L-PE)	10 kA
Nominal discharge current $I_n$ (8/20) $\mu\text{s}$ (N-PE)	20 kA
Maximum discharge current $I_{max}$ (8/20) $\mu\text{s}$ (L-N)	20 kA
Maximum discharge current $I_{max}$ (8/20) $\mu\text{s}$ (L-PE)	20 kA

# VAL-MS 350 VF/1+1-FM - Type 2 surge arrester



2902577

<https://www.phoenixcontact.com/us/products/2902577>

Maximum discharge current $I_{max}$ (8/20) $\mu$ s (N-PE)	40 kA
Follow current interrupt rating $I_{fi}$ (N-PE)	100 A (260 V)
Short-circuit current rating $I_{SCCR}$	25 kA
Voltage protection level $U_p$ (L-N)	$\leq 1.5$ kV
Voltage protection level $U_p$ (L-PE)	$\leq 2$ kV
Voltage protection level $U_p$ (N-PE)	$\leq 1.5$ kV
Residual voltage $U_{res}$ (L-N)	$\leq 1.2$ kV (at $I_n$ )
	$\leq 1.2$ kV (at 10 kA)
	$\leq 1.1$ kV (at 5 kA)
Residual voltage $U_{res}$ (L-PE)	$\leq 1.35$ kV (at $I_n$ )
	$\leq 1.35$ kV (at 10 kA)
	$\leq 1.2$ kV (at 5 kA)
Residual voltage $U_{res}$ (N-PE)	$\leq 0.4$ kV (at $I_n$ )
	$\leq 0.25$ kV (at 10 kA)
	$\leq 0.15$ kV (at 5 kA)
	$\leq 0.1$ kV (at 3 kA)
TOV behavior at $U_T$ (L-N)	415 V AC (5 s / withstand mode)
	440 V AC (120 min / withstand mode)
TOV behavior at $U_T$ (N-PE)	1200 V AC (200 ms / withstand mode)
Response time $t_A$	$\leq 100$ ns
Max. backup fuse with V-type through wiring	80 A (gG)
Max. backup fuse with branch wiring	125 A (gG)

## Environmental and real-life conditions

### Ambient conditions

Degree of protection	IP20 (only when all terminal points are used)
Ambient temperature (operation)	-40 °C ... 80 °C
Ambient temperature (storage/transport)	-40 °C ... 80 °C
Altitude	$\leq 2000$ m (amsl)
Permissible humidity (operation)	5 % ... 95 %
Shock (operation)	25g (Half-sine / 11 ms / 3x $\pm$ X, $\pm$ Y, $\pm$ Z)
Vibration (operation)	5g (10 ... 500 Hz / 2.5 h / X, Y, Z)

## Approvals

### UL specifications

Maximum continuous operating voltage MCOV (L-N)	350 V AC
Maximum continuous operating voltage MCOV (L-G)	350 V AC
Maximum continuous operating voltage MCOV (N-G)	260 V AC
Nominal discharge current $I_n$ (L-N)	20 kA
Nominal discharge current $I_n$ (L-G)	20 kA
Nominal discharge current $I_n$ (N-G)	20 kA
Mode of protection	L-N
	L-G

# VAL-MS 350 VF/1+1-FM - Type 2 surge arrester



2902577

<https://www.phoenixcontact.com/us/products/2902577>

	N-G
Nominal voltage	240 V AC
Power distribution system	Single phase
Nominal frequency	50/60 Hz
Measured limiting voltage MLV (L-N)	1610 V
Measured limiting voltage MLV (L-G)	2030 V
Measured limiting voltage MLV (N-G)	870 V
SPD Type	4CA

## UL indicator/remote signaling

Operating voltage	125 V AC
AC operating current	1 A AC

## UL connection data

Tightening torque	30 lb <sub>f</sub> -in.
Conductor cross-section AWG	10 ... 2

## Standards and regulations

Standards/specifications	IEC 61643-11
Note	2011
Standards/specifications	EN 61643-11
Note	2012

## Mounting

Mounting type	DIN rail: 35 mm
---------------	-----------------

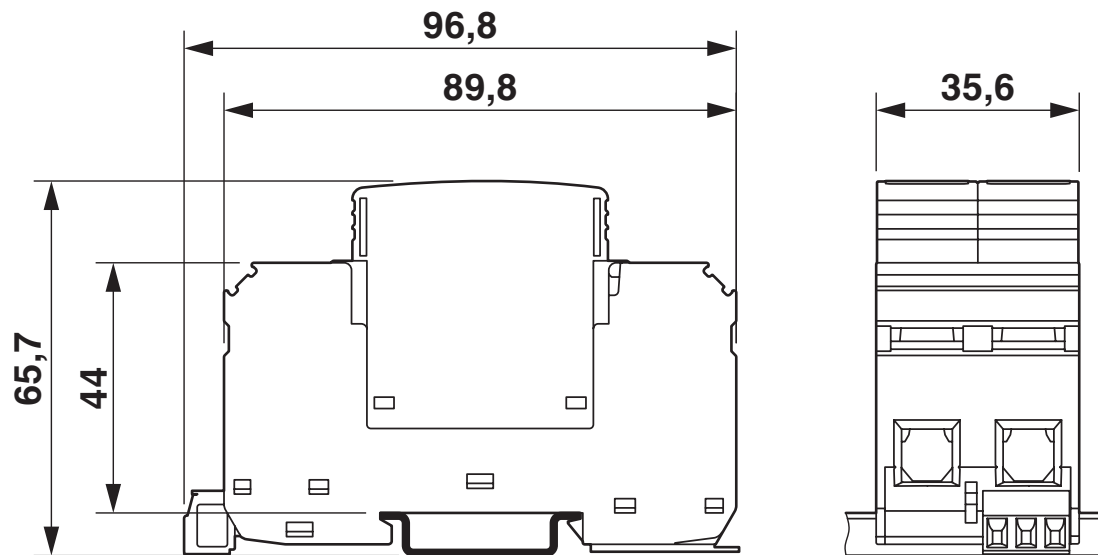
# VAL-MS 350 VF/1+1-FM - Type 2 surge arrester

2902577

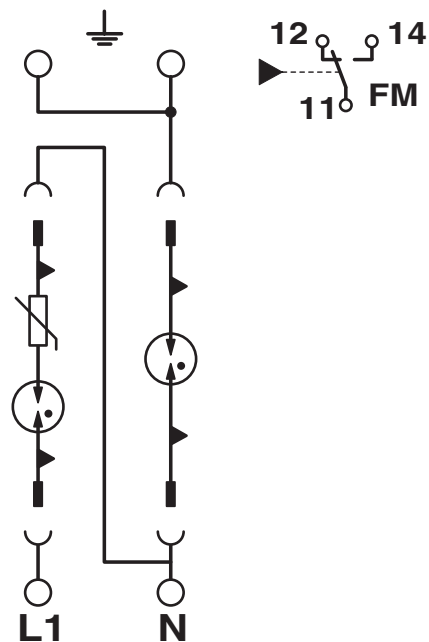
<https://www.phoenixcontact.com/us/products/2902577>

## Drawings

Dimensional drawing



Circuit diagram



# VAL-MS 350 VF/1+1-FM - Type 2 surge arrester



2902577

<https://www.phoenixcontact.com/us/products/2902577>

## Environmental product compliance

EU REACH SVHC

REACH candidate substance (CAS No.)	
-------------------------------------	--

	No substance above 0.1 wt%
--	----------------------------

Phoenix Contact 2026 © - all rights reserved

<https://www.phoenixcontact.com>

Phoenix Contact USA  
586 Fulling Mill Road  
Middletown, PA 17057, United States  
(+717) 944-1300  
[info@phoenixcon.com](mailto:info@phoenixcon.com)