

SUBCON-PLUS-CAN/AX/M12 - D-SUB bus connector



2902326

<https://www.phoenixcontact.com/us/products/2902326>

Please be informed that the data shown in this PDF document is generated from our online catalog. Please find the complete data in the user documentation. Our general terms of use for downloads are valid.



D-SUB connector, 9-pos. socket, assignment: 2, 3, 5, 7, 9; two M12 cable entries (A-coded), axial. Bus system: CAN, CANopen®. Termination resistor via separate M12 terminator.

Product description

The SUBCON-PLUS fast connectors with M12 connection ensure error-free installation of bus systems, thanks to the use of fully-tested components such as cables and connectors. The innovative housing concept is lightweight yet offers optimum mechanical protection against environmental influences. This means that the fast connection plugs are ideal, even in applications subject to vibration. The unique SPEEDCON fast locking system on the M12 connections offers reliable connection with just half a turn.

Your advantages

- Assembly under field conditions
- Quick connection thanks to M12-SPEEDCON fast locking system
- Through-contacted shielding from M12 to D-SUB



Commercial data

| | |
|--------------------------------------|---------------|
| Item number | 2902326 |
| Packing unit | 1 pc |
| Minimum order quantity | 1 pc |
| Sales key | DN10 |
| Product key | DNC541 |
| GTIN | 4046356655019 |
| Weight per piece (including packing) | 62.9 g |
| Weight per piece (excluding packing) | 62.6 g |
| Customs tariff number | 85366990 |

SUBCON-PLUS-CAN/AX/M12 - D-SUB bus connector



2902326

<https://www.phoenixcontact.com/us/products/2902326>

| | |
|-------------------|----|
| Country of origin | CN |
|-------------------|----|

SUBCON-PLUS-CAN/AX/M12 - D-SUB bus connector



2902326

<https://www.phoenixcontact.com/us/products/2902326>

Technical data

Notes

Note on application

| | |
|---------------------|-------------------------|
| Note on application | Only for industrial use |
|---------------------|-------------------------|

Product properties

| | |
|----------------|--|
| Product type | Data plug |
| MTTF | 6706 Years (SN 29500 standard, temperature 25°C, operating cycle 21%) |
| | 1817 Years (SN 29500 standard, temperature 40°C, operating cycle 34.25%) |
| | 155 Years (SN 29500 standard, temperature 40°C, operating cycle 100%) |
| Pin assignment | 2, 3, 5, 7, 9 |

Electrical properties

| | |
|-----------------------|--------|
| Nominal voltage U_N | 5 V |
| Nominal current I_N | 100 mA |

Connection data

| | |
|-------------------|------------|
| Tightening torque | ... 0.4 Nm |
|-------------------|------------|

D-SUB connection

| | |
|-------------------|--------------|
| Connection method | D-SUB socket |
|-------------------|--------------|

M12 connector

| | |
|-------------------|-------------------|
| Connection method | M12 male, A-coded |
|-------------------|-------------------|

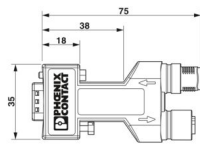
M12 connector

| | |
|-------------------|---------------------|
| Connection method | M12 female, A-coded |
|-------------------|---------------------|

Interfaces

| | |
|------------|---------------------------|
| Bus system | CAN, CANopen, SafetyBus-P |
| Signal | CAN |
| | CANopen® |

Dimensions

| | |
|---------------------|--|
| Dimensional drawing |  |
| Width | 16 mm |
| Height | 75 mm |

SUBCON-PLUS-CAN/AX/M12 - D-SUB bus connector



2902326

<https://www.phoenixcontact.com/us/products/2902326>

| | |
|--------|-------|
| Length | 38 mm |
|--------|-------|

Material specifications

| | |
|--------------------|------------------|
| Color (Housing) | black (RAL 9005) |
| Material (Housing) | Polyamide |

Mechanical properties

Mechanical data

| | |
|-------------------|----------|
| Fixing screws | 4-40 UNC |
| Tightening torque | 0.4 Nm |

Mechanical tests

| | |
|--|---|
| Vibration resistance in accordance with EN 60068-2-6/IEC 60068-2-6 | Operation: 5g, 10...150 Hz, 2.5 h, in XYZ direction |
| Shock in accordance with EN 60068-2-27/IEC 60068-2-27 | Operation: 15g, 11 ms period, half-sine shock pulse |

Environmental and real-life conditions

Ambient conditions

| | |
|--|--|
| Degree of protection | IP40 |
| Ambient temperature (operation) | -30 °C ... 80 °C |
| Ambient temperature (storage/transport) | -40 °C ... 85 °C |
| Ambient temperature (assembly) | -20 °C ... 80 °C |
| Altitude | ≤ 5000 m (For restrictions, see the manufacturer's declaration for altitude operation) |
| Permissible humidity (operation) | 10 % ... 95 % (non-condensing) |
| Permissible humidity (storage/transport) | 5 % ... 95 % (non-condensing) |

Standards and regulations

| | |
|---|--------------------|
| Free from substances that could impair the application of coating | VDMA 24364:2018-05 |
|---|--------------------|

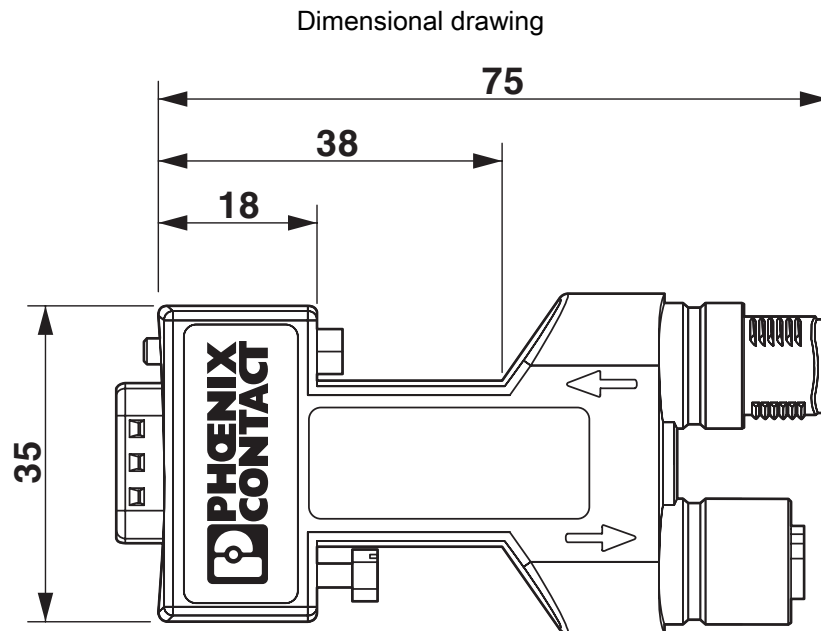
SUBCON-PLUS-CAN/AX/M12 - D-SUB bus connector



2902326

<https://www.phoenixcontact.com/us/products/2902326>

Drawings



SUBCON-PLUS...AX...M12 dimensional drawing, axial (180°) version

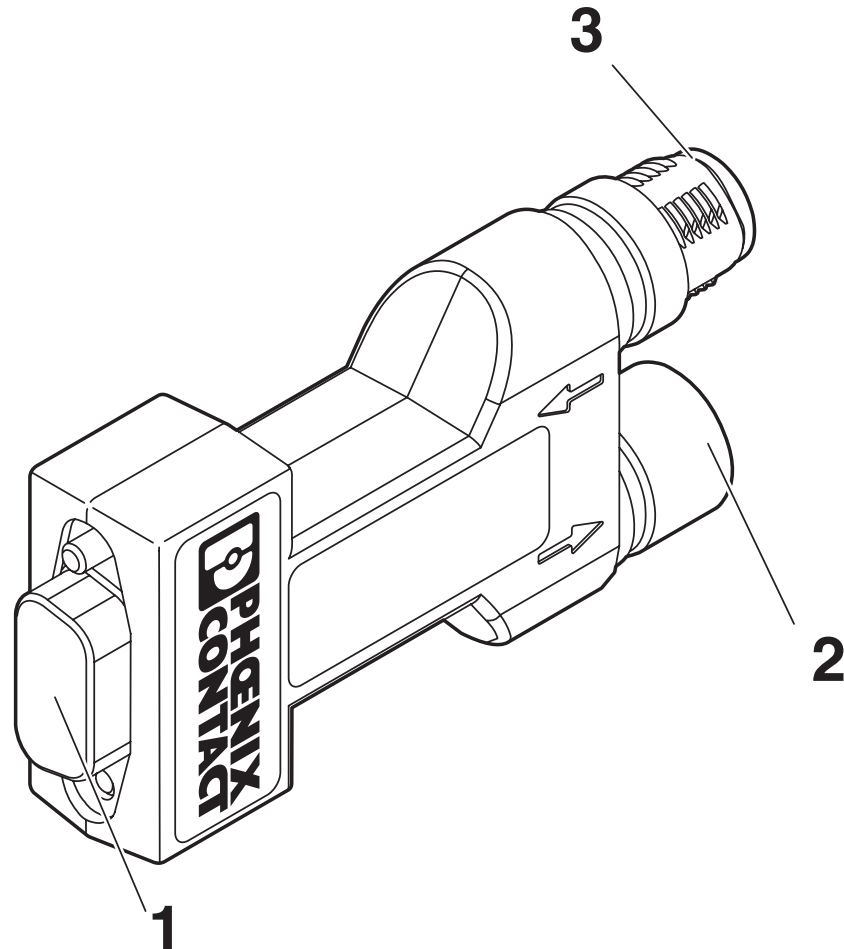
SUBCON-PLUS-CAN/AX/M12 - D-SUB bus connector



2902326

<https://www.phoenixcontact.com/us/products/2902326>

Schematic diagram



Function elements

- 1 = D-SUB 9
- 2 = Outgoing M12 connection
- 3 = Incoming M12 connection
- 4 = D-SUB PG connection (depending on the version)

SUBCON-PLUS-CAN/AX/M12 - D-SUB bus connector



2902326

<https://www.phoenixcontact.com/us/products/2902326>

Block diagram



SUBCON-PLUS-CAN/...M12 function block diagram

SUBCON-PLUS-CAN/AX/M12 - D-SUB bus connector



2902326

<https://www.phoenixcontact.com/us/products/2902326>

Classifications

ECLASS

| | |
|-------------|----------|
| ECLASS-13.0 | 27440302 |
| ECLASS-15.0 | 27440322 |

ETIM

| | |
|-----------|----------|
| ETIM 10.0 | EC001132 |
|-----------|----------|

UNSPSC

| | |
|-------------|----------|
| UNSPSC 21.0 | 39121400 |
|-------------|----------|

2902326

<https://www.phoenixcontact.com/us/products/2902326>

Environmental product compliance

EU RoHS

| | |
|---|------|
| Fulfills EU RoHS substance requirements | Yes |
| Exemption | 6(c) |

China RoHS

| | |
|--|--|
| Environment friendly use period (EFUP) | EFUP-E |
| | No hazardous substances above the limits |

EU REACH SVHC

| | |
|-------------------------------------|--------------------------------------|
| REACH candidate substance (CAS No.) | Lead(CAS: 7439-92-1) |
| SCIP | d958f5aa-00a4-41be-b945-0c44901b5f01 |

Phoenix Contact 2026 © - all rights reserved
<https://www.phoenixcontact.com>

Phoenix Contact USA
586 Fulling Mill Road
Middletown, PA 17057, United States
(+717) 944-1300
info@phoenixcon.com