

FL COUPLER SC-DUPLEX - FO coupling

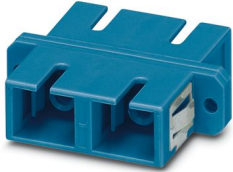


2901788

<https://www.phoenixcontact.com/us/products/2901788>

Please be informed that the data shown in this PDF document is generated from our online catalog. Please find the complete data in the user documentation. Our general terms of use for downloads are valid.

Coupling, SC duplex/SC duplex, compatible with multi-mode and single mode glass fibers, PCF, and polymer fibers



Commercial data

Item number	2901788
Packing unit	1 pc
Note	Made to order (non-returnable)
Sales key	AB16
Product key	ABNIDA
GTIN	4046356633468
Weight per piece (including packing)	14.1 g
Weight per piece (excluding packing)	10.14 g
Customs tariff number	85367000
Country of origin	CH

FL COUPLER SC-DUPLEX - FO coupling

2901788

<https://www.phoenixcontact.com/us/products/2901788>

Technical data

Product properties

Product type	Data plug
Application	FO coupling
Sensor type	Ethernet
Number of positions	2
Connection profile	SC duplex as per IEC 61754-4
Number of module slots	1
Number of slots	2

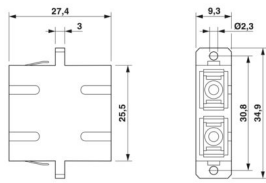
Electrical properties

Attenuation	< 0.2 dB
-------------	----------

Connection data

Connection method	Coupling
-------------------	----------

Dimensions

Dimensional drawing	
Width	35 mm
Height	9.3 mm
Depth	27.4 mm

Mechanical characteristics

Ferrule diameter	2.50 mm
------------------	---------

Material specifications

Flammability rating according to UL 94	V0
Ferrule material	Zirconia ceramics
Housing material	Plastic

Cable/line

Cable type	Fiberglass
------------	------------

FO cable

Number of fibers	2
Fiber type	Multimode fiberglass 50/125 µm
Attenuation	≤ 0.2 dB

Mechanical properties

FL COUPLER SC-DUPLEX - FO coupling



2901788

<https://www.phoenixcontact.com/us/products/2901788>

Mechanical data

Insertion/withdrawal cycles	≥ 1000
-----------------------------	--------

Characteristics

Attenuation	< 0.2 dB
-------------	----------

Environmental and real-life conditions

Ambient conditions

Degree of protection	IP20
	IP20
Ambient temperature (operation)	-40 °C ... 80 °C
Ambient temperature (storage/transport)	-40 °C ... 85 °C
Ambient temperature (assembly)	-5 °C ... 50 °C
Resistance to UV radiation	no

FL COUPLER SC-DUPLEX - FO coupling

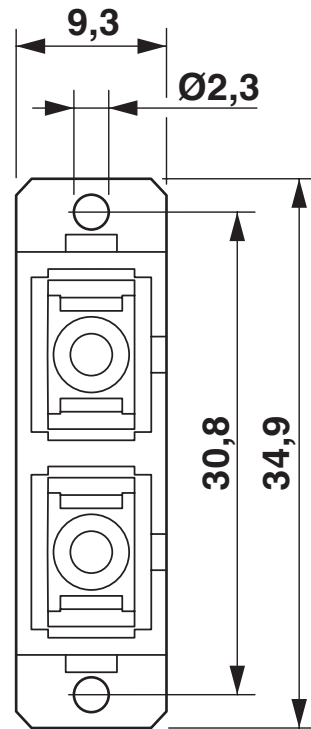
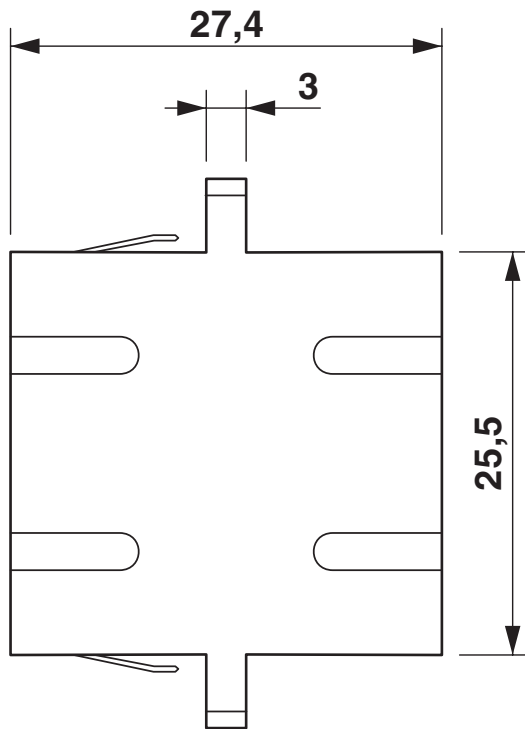
2901788

<https://www.phoenixcontact.com/us/products/2901788>



Drawings

Dimensional drawing



FL COUPLER SC-DUPLEX - FO coupling

2901788

<https://www.phoenixcontact.com/us/products/2901788>



Classifications

UNSPSC

UNSPSC 21.0	39121100
-------------	----------

FL COUPLER SC-DUPLEX - FO coupling



2901788

<https://www.phoenixcontact.com/us/products/2901788>

Environmental product compliance

China RoHS

Environment friendly use period (EFUP)	EFUP-50
	An article-related China RoHS declaration table can be found in the download area for the respective article under "Manufacturer declaration". For all articles with EFUP-E, no China RoHS declaration table issued and required.

EU REACH SVHC

REACH candidate substance (CAS No.)	No substance above 0.1 wt%
-------------------------------------	----------------------------

Phoenix Contact 2026 © - all rights reserved
<https://www.phoenixcontact.com>

Phoenix Contact USA
586 Fulling Mill Road
Middletown, PA 17057, United States
(+717) 944-1300
info@phoenixcon.com