

SCK-C-MODBUS - PV string monitoring module



2901674

<https://www.phoenixcontact.com/us/products/2901674>

Please be informed that the data shown in this PDF document is generated from our online catalog. Please find the complete data in the user documentation. Our general terms of use for downloads are valid.



SCK communication module for acquiring up to 8 x SCK measuring modules, RS-485 Modbus/RTU output

Your advantages

- Digital input for monitoring the remote indication contacts of surge protection modules
- Internal temperature monitoring of measuring module
- Measuring modules supplied via the communication module

Commercial data

Item number	2901674
Packing unit	1 pc
Minimum order quantity	1 pc
Sales key	C447
Product key	CMMD13
GTIN	4046356623919
Weight per piece (including packing)	200 g
Weight per piece (excluding packing)	162 g
Customs tariff number	85176200
Country of origin	DE

SCK-C-MODBUS - PV string monitoring module



2901674

<https://www.phoenixcontact.com/us/products/2901674>

Technical data

Product properties

Product type	Gateways/Proxies
Product family	SOLARCHECK

Insulation characteristics

Pollution degree	2
------------------	---

Electrical properties

Maximum power dissipation for nominal condition	0.65 W
Protective circuit	Surge protection; 33 V suppressor diode

Supply

Nominal supply voltage	24 V DC -10 % ... +25 %
Supply voltage range	21.6 V DC ... 30 V DC
Max. current consumption	800 mA
Own current consumption	22 mA (typical) 45 mA (maximum)
Power consumption	580 mW (24 V DC)

Connection data

Connection method	Screw connection
Conductor cross-section rigid	0.2 mm ² ... 2.5 mm ²
Conductor cross-section flexible	0.2 mm ² ... 2.5 mm ²
Conductor cross-section AWG	24 ... 12
Tightening torque	0.5 Nm ... 0.6 Nm

Interfaces

Data: Modbus/RTU

Serial transmission speed	9.6/14.4/19.2/38.4 kbps
Connection method	Screw terminal block
Connection technology	2-, 3-conductor
Transmission length	≤ 1200 m
Termination resistor	180 Ω (Not included in the scope of supply)
Protocols supported	Modbus/RTU

Data: Data interface for measuring or supplementary module

Protocols supported	Proprietary
---------------------	-------------

Dimensions

Width	22.5 mm
Height	102 mm
Depth	106 mm

SCK-C-MODBUS - PV string monitoring module



2901674

<https://www.phoenixcontact.com/us/products/2901674>

Environmental and real-life conditions

Ambient conditions

Degree of protection	IP20
Ambient temperature (operation)	-20 °C ... 70 °C
Ambient temperature (storage/transport)	-40 °C ... 85 °C
Altitude	≤ 2000 m
Permissible humidity (operation)	≤ 95 % (non-condensing)

Approvals

CE

Certificate	CE-compliant
-------------	--------------

UL, USA

Identification	1741 Recognized
----------------	-----------------

UL, USA/Canada

Identification	508 Listed
----------------	------------

EMC data

Electromagnetic compatibility	Conformance with EMC directive
Low Voltage Directive	Conformance with Low Voltage Directive
Noise immunity	EN 61000-6-2
Note	When being exposed to interference, there may be minimal deviations.

Noise emission

Standards/regulations	EN 61000-6-4
-----------------------	--------------

Standards and regulations

Standards/regulations	EN 61010-1
	EN 61010-2-30

Mounting

Mounting type	DIN rail: 35 mm
	DIN rail mounting
Assembly note	Horizontal or vertical
Mounting position	any

SCK-C-MODBUS - PV string monitoring module

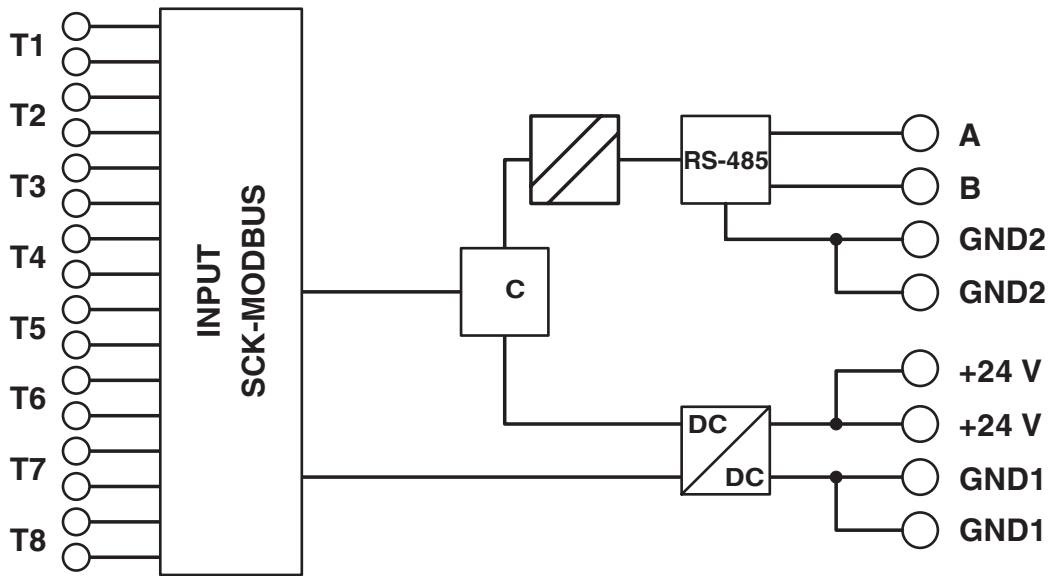


2901674

<https://www.phoenixcontact.com/us/products/2901674>

Drawings

Block diagram



SCK-C-MODBUS - PV string monitoring module



2901674

<https://www.phoenixcontact.com/us/products/2901674>

Approvals

To download certificates, visit the product detail page: <https://www.phoenixcontact.com/us/products/2901674>



UL Recognized

Approval ID: FILE E 325209



EAC

Approval ID: RU*DE.*08.B.01536/19



UL Listed

Approval ID: E140324



cUL Listed

Approval ID: E140324



UL Recognized

Approval ID: FILE E 325209



cUL Listed

Approval ID: E140324



UL Listed

Approval ID: E140324

SCK-C-MODBUS - PV string monitoring module



2901674

<https://www.phoenixcontact.com/us/products/2901674>

Classifications

ECLASS

ECLASS-13.0	27242608
ECLASS-15.0	27242608

ETIM

ETIM 10.0	EC001604
-----------	----------

UNSPSC

UNSPSC 21.0	32151600
-------------	----------

SCK-C-MODBUS - PV string monitoring module



2901674

<https://www.phoenixcontact.com/us/products/2901674>

Environmental product compliance

EU RoHS

Fulfills EU RoHS substance requirements	Yes
Exemption	7(a), 7(c)-I

China RoHS

Environment friendly use period (EFUP)	EFUP-50
	An article-related China RoHS declaration table can be found in the download area for the respective article under "Manufacturer declaration". For all articles with EFUP-E, no China RoHS declaration table issued and required.

EU REACH SVHC

REACH candidate substance (CAS No.)	Lead(CAS: 7439-92-1)
SCIP	0c4fa040-c93d-469e-908d-7c9d10cadd72

Phoenix Contact 2026 © - all rights reserved

<https://www.phoenixcontact.com>

Phoenix Contact USA
586 Fulling Mill Road
Middletown, PA 17057, United States
(+717) 944-1300
info@phoenixcon.com