

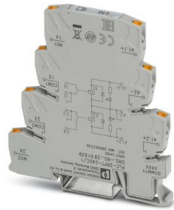
PLC-2RPT-24DC/1 - Relay module



2901639

<https://www.phoenixcontact.com/us/products/2901639>

Please be informed that the data shown in this PDF document is generated from our online catalog. Please find the complete data in the user documentation. Our general terms of use for downloads are valid.



PLC-INTERFACE with two independent relays, consisting of PLC-BPT.../21 basic terminal block with push-in connection and two integrated relays, power contact, for mounting on DIN rail NS 35/7,5, 2 x 1 N/O contact, input voltage 24 V DC

Your advantages

- Two switching channels in one 6.2 mm housing
- 100% higher channel density than conventional 6.2 mm relays
- Integrated input circuit/protective circuit
- Safe isolation according to DIN EN 50178 between coil and contacts and between contacts
- Screw- and Push-in connection

Commercial data

Item number	2901639
Packing unit	10 pc
Minimum order quantity	10 pc
Sales key	C461
Product key	DK62A8
GTIN	4046356620376
Weight per piece (including packing)	32.34 g
Weight per piece (excluding packing)	29.3 g
Customs tariff number	85364190
Country of origin	DE

PLC-2RPT-24DC/1 - Relay module



2901639

<https://www.phoenixcontact.com/us/products/2901639>

Technical data

Product properties

Product type	Relay Module
Product family	PLC-INTERFACE
Application	two integrated relays
Operating mode	100% operating factor
Mechanical service life	2x 10 ⁷ cycles

Insulation characteristics: Air clearances and creepage distances between the power circuits

Insulation	Basic insulation
Overvoltage category	III
Pollution degree	2

Data management status

Date of last data management	01.04.2026
------------------------------	------------

Electrical properties

Maximum power dissipation for nominal condition	0.17 W
Test voltage (Winding/contact)	3 kV AC (50 Hz, 1 min., winding/contact)
Test voltage (Contact/contact)	3 kV AC (50 Hz, 1 min., contact/contact)

Air clearances and creepage distances between the power circuits

Rated insulation voltage	250 V AC
Rated surge voltage	4 kV

Input data

Coil side

Nominal input voltage U_N	24 V DC
Input voltage range	18 V DC ... 33.6 V DC (20 °C)
Drive and function	monostable
Drive (polarity)	polarized
Typical input current at U_N	7 mA
Typical response time	4 ms
Typical release time	6 ms
Protective circuit	Reverse polarity protection; Polarity protection diode Surge protection; Freewheeling diode
Operating voltage display	Yellow LED

Output data

Switching

Contact switching type	2 N/O contacts
Type of switch contact	Single contact
Note regarding the switch contact	two integrated relays

PLC-2RPT-24DC/1 - Relay module



2901639

<https://www.phoenixcontact.com/us/products/2901639>

Contact material	AgNi
Maximum switching voltage	250 V AC
	30 V DC
Minimum switching voltage	24 V AC/DC
Limiting continuous current	3.5 A
Maximum inrush current	5 A
Min. switching current	5 mA
Interrupting rating (ohmic load) max.	84 W (at 24 V DC)
	24 W (at 48 V DC)
	24 W (at 60 V DC)
	31 W (at 110 V DC)
	46 W (at 220 V DC)
	875 VA (for 250 V AC)

Connection data

Connection method	Push-in connection
Stripping length	10 mm
Conductor cross-section rigid	0.14 mm ² ... 2.5 mm ²
Conductor cross-section flexible	0.14 mm ² ... 2.5 mm ²
	0.2 mm ² ... 2.5 mm ² (Single ferrule)
	2x 0.5 mm ² ... 1 mm ² (TWIN ferrule)
Conductor cross-section AWG	26 ... 14

Dimensions

Item dimensions

Width	6.2 mm
Height	80 mm
Depth	94 mm

Material specifications

Color	gray (RAL 7042)
Flammability rating according to UL 94 (Housing)	V0 (Housing)

Environmental and real-life conditions

Ambient conditions

Degree of protection (Relay base)	IP20 (Relay base)
Ambient temperature (operation)	-20 °C ... 60 °C
Ambient temperature (storage/transport)	-20 °C ... 60 °C

Approvals

CE

Certificate	CE-compliant
-------------	--------------

Corrosive gas test

PLC-2RPT-24DC/1 - Relay module



2901639

<https://www.phoenixcontact.com/us/products/2901639>

Identification	ISA-S71.04. G3 Harsh Group
	EN 60068-2-60

EMC data

Electromagnetic compatibility	Conformance with EMC directive
Low Voltage Directive	Conformance with Low Voltage Directive

Standards and regulations

Air clearances and creepage distances between the power circuits

Standards/regulations	IEC 60664
	EN 50178

Mounting

Mounting type	DIN rail mounting
Assembly note	in rows with zero spacing
Mounting position	any

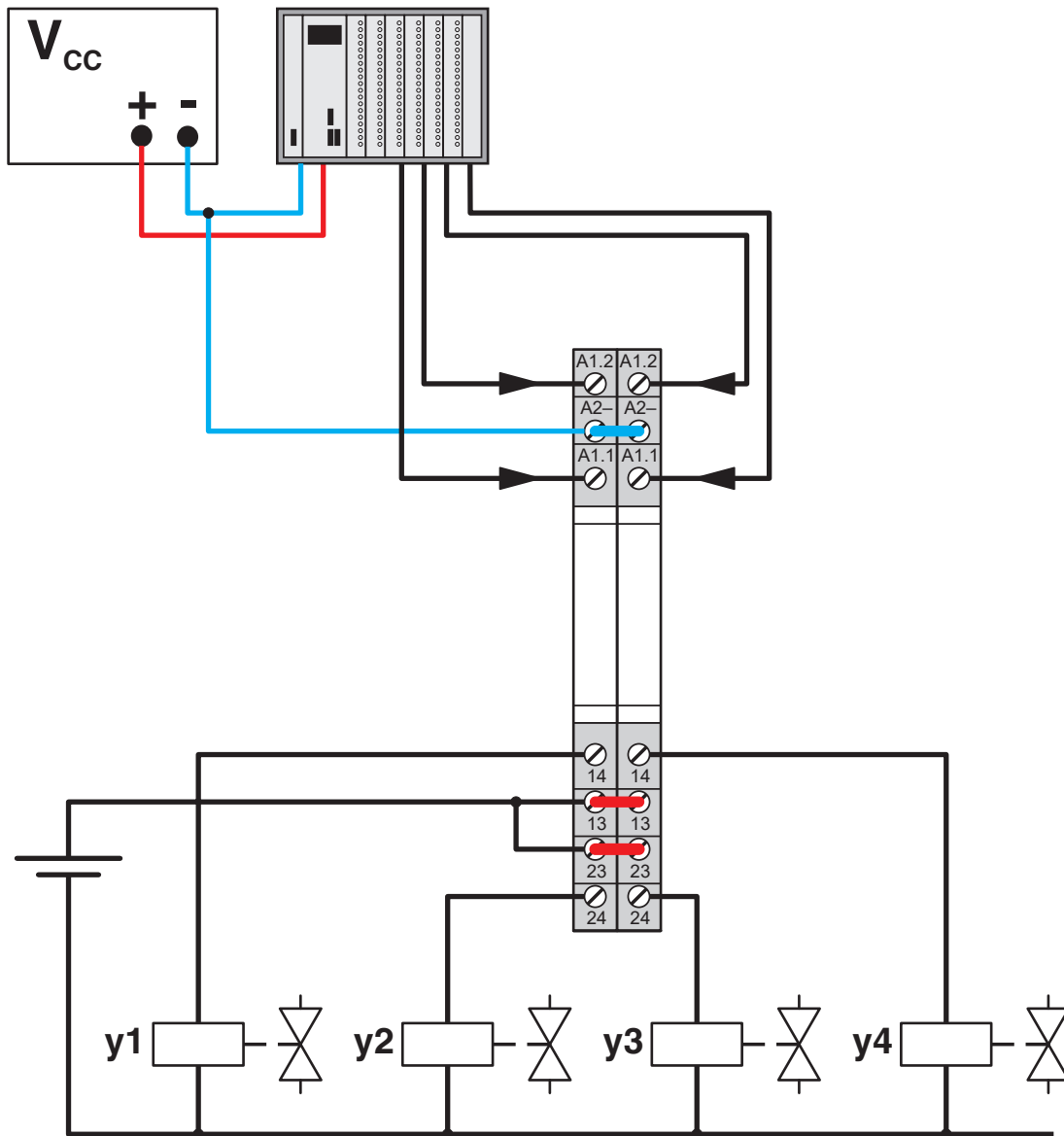
PLC-2RPT-24DC/1 - Relay module

2901639

<https://www.phoenixcontact.com/us/products/2901639>

Drawings

Application drawing



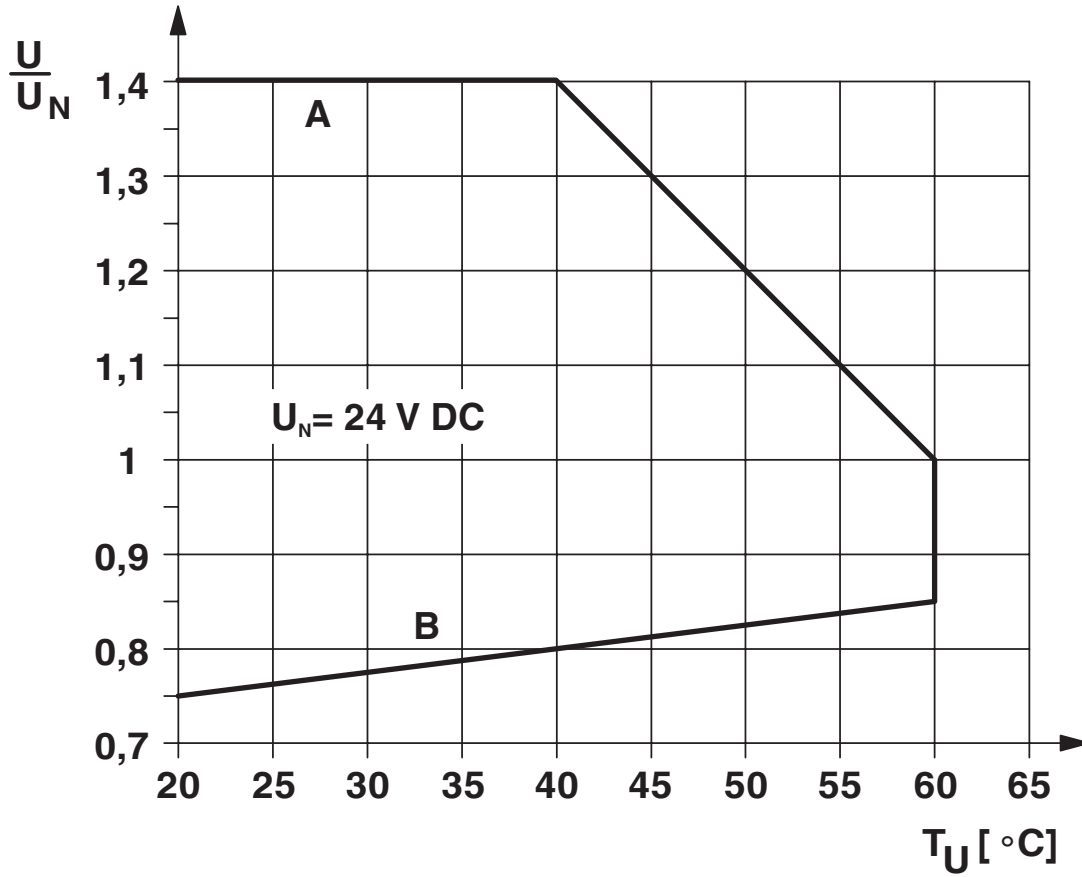
Diagram



① DC, ohmic load

Interrupting rating

Diagram



Operating voltage range

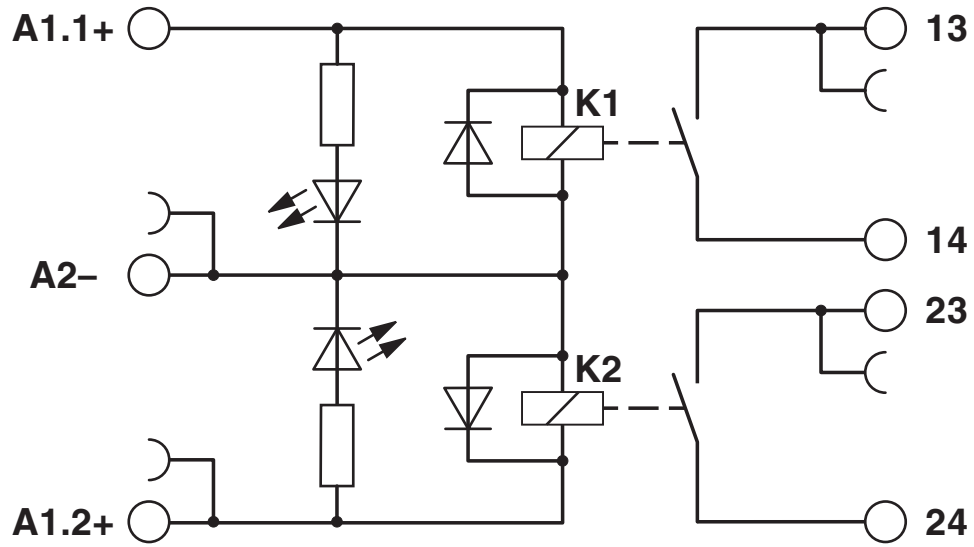
PLC-2RPT-24DC/1 - Relay module



2901639

<https://www.phoenixcontact.com/us/products/2901639>

Circuit diagram



PLC-2RPT-24DC/1 - Relay module



2901639

<https://www.phoenixcontact.com/us/products/2901639>

Approvals

To download certificates, visit the product detail page: <https://www.phoenixcontact.com/us/products/2901639>



cULus Listed

Approval ID: E140324



cULus Listed

Approval ID: E140324



cULus Listed

Approval ID: E140324

PLC-2RPT-24DC/1 - Relay module



2901639

<https://www.phoenixcontact.com/us/products/2901639>

Classifications

ECLASS

ECLASS-13.0	27371601
ECLASS-15.0	27371601

ETIM

ETIM 10.0	EC001437
-----------	----------

UNSPSC

UNSPSC 21.0	39122300
-------------	----------

PLC-2RPT-24DC/1 - Relay module



2901639

<https://www.phoenixcontact.com/us/products/2901639>

Environmental product compliance

EU RoHS

Fulfills EU RoHS substance requirements	Yes
Exemption	7(a), 7(c)-I

China RoHS

Environment friendly use period (EFUP)	EFUP-50
	An article-related China RoHS declaration table can be found in the download area for the respective article under "Manufacturer declaration". For all articles with EFUP-E, no China RoHS declaration table issued and required.

EU REACH SVHC

REACH candidate substance (CAS No.)	Lead(CAS: 7439-92-1)
SCIP	ee8b6ad9-e4a5-448d-a1e8-bfe4c6622d4d

EF3.1 Climate Change

CO2e kg	0.395 kg CO2e
---------	---------------

Phoenix Contact 2026 © - all rights reserved
<https://www.phoenixcontact.com>

Phoenix Contact USA
586 Fulling Mill Road
Middletown, PA 17057, United States
(+717) 944-1300
info@phoenixcon.com