

# PSR-SPP- 24UC/ESAM4/3X1/1X2/B - Safety relays



2900510

<https://www.phoenixcontact.com/us/products/2900510>

Please be informed that the data shown in this PDF document is generated from our online catalog. Please find the complete data in the user documentation. Our general terms of use for downloads are valid.



The figure shows a version with a screw connection

Safety relay for emergency stop and safety door monitoring up to SIL 3 or Cat. 4, PL e in accordance with EN ISO 13849, 2-channel operation, 3 enabling current paths, nominal input voltage: 24 V DC, pluggable Push-in terminal block

## Your advantages

- Up to Cat. 4/PL e in accordance with EN ISO 13849-1, SIL 3 in accordance with EN IEC 62061, SIL 3 in accordance with IEC 61508
- Manually monitored and automatic activation in a single device
- Basic insulation
- 2 channel control
- 3 enabling current paths, 1 signaling current path

## Commercial data

Item number	2900510
Packing unit	1 pc
Minimum order quantity	1 pc
Sales key	DN01
Product key	DNA114
GTIN	4046356513784
Weight per piece (including packing)	182.2 g
Weight per piece (excluding packing)	159.08 g
Customs tariff number	85371098
Country of origin	DE

## Technical data

### Product properties

Product type	Safety relays
Product family	PSRclassic
Application	Emergency stop Safety door
Control	2-channel
Mechanical service life	approx. $10^7$ cycles
Relay type	Electromechanical relay with force-guided contacts in accordance with IEC/EN 61810-3

### Insulation characteristics

Overvoltage category	III
Degree of pollution	2

### Times

Typical response time	typ. 150 ms (For $U_S$ autostart)
	typ. 100 ms (For $U_S$ manual, monitored start)
Typ. starting time with $U_S$	typ. 250 ms (with $U_S$ / when controlled via A1)
Typical release time	typ. 20 ms (At $U_S$ on demand via sensor circuit)
	typ. 45 ms (At $U_S$ /on demand via A1)
Restart time	< 1 s (Boot time)
Recovery time	< 1 s (following demand of the safety function)
Start pulse length	$\geq$ 500 ms (manual start)

### Electrical properties

Maximum power dissipation for nominal condition	16.44 W ( $U_S = 26.4$ V, $I_L^2 = 72$ A <sup>2</sup> , $P_{Total\ max} = 2.04$ W + 14.4 W)
Nominal operating mode	100% operating factor
Rated insulation voltage	250 V
Rated surge voltage/insulation	See data sheet, section "Insulation coordination".

### Supply

Rated control circuit supply voltage $U_S$	24 V DC -15 % / +10 %
Rated control supply current $I_S$	typ. 70 mA (at $U_S$ )
Power consumption at $U_S$	typ. 1.68 W
Inrush current	< 3.5 A (typ. with $U_S$ , $\Delta t = 3$ ms)
Filter time	5 ms (in the event of voltage dips at $U_S$ )
Protective circuit	Serial protection against polarity reversal; Suppressor diode

### Input data

#### Digital: Logic (S12, S22)

Description of the input	safety-related
Number of inputs	2
Input voltage range "0" signal	0 V DC ... 5 V DC (S12)

2900510

<https://www.phoenixcontact.com/us/products/2900510>

Input voltage range "1" signal	20.4 V ... 26.4 V (S12)
Input current range "0" signal	0 mA ... 2 mA
Inrush current	< 100 mA ( $\Delta t = 500$ ms, with $U_S/I_x$ at S12)
	> -100 mA ( $\Delta t = 300$ ms, with $U_S/I_x$ at S22)
Filter time	No test pulses permitted
Concurrence	$\infty$
Max. permissible overall conductor resistance	50 $\Omega$
Protective circuit	Suppressor diode
Current consumption	38 mA (typ. with $U_S$ at S12)
	-38 mA (typ. with $U_S$ at S22)

#### Digital: Start circuit (S34, S35)

Description of the input	non-safety-related
Number of inputs	2
Input voltage range "1" signal	20.4 V ... 26.4 V
Inrush current	< 6 mA (typ. with $U_S$ at S34/35)
Filter time	No test pulses permitted
Max. permissible overall conductor resistance	50 $\Omega$
Protective circuit	Suppressor diode
Current consumption	0 mA (typ. with $U_S$ at S34)
	1 mA (typ. with $U_S$ at S35)

## Output data

#### Relay: Enabling current paths (13/14, 23/24, 33/34)

Output description	2 N/O contacts in series, safety-related, floating
Number of outputs	3
Contact switching type	3 enabling current paths
Contact material	AgSnO <sub>2</sub>
Switching voltage	min. 10 V AC/DC
	max. 250 V AC/DC
Switching power	min. 100 mW
Inrush current	min. 10 mA
	max. 6 A
Switching capacity	5 A (AC15)
	6 A (DC13)
Limiting continuous current	6 A
Sq. Total current	72 A <sup>2</sup> (observe derating)
Switching frequency	max. 0.5 Hz
Mechanical service life	10 <sup>7</sup> cycles
Output fuse	10 A gL/gG (High demand)
	4 A gL/gG (Low demand)

#### Relay: Signaling current path (41/42)

Output description	2 N/C contacts parallel, non-safety-related, floating
--------------------	---

# PSR-SPP- 24UC/ESAM4/3X1/1X2/B - Safety relays



2900510

<https://www.phoenixcontact.com/us/products/2900510>

Number of outputs	1
Contact switching type	1 signaling current path
Contact material	AgSnO <sub>2</sub>
Switching voltage	min. 10 V AC/DC max. 250 V AC/DC
Switching power	min. 100 mW
Inrush current	min. 10 mA max. 6 A
Switching capacity	1.5 A (AC15) 2 A (DC13)
Limiting continuous current	6 A (Signaling current path)
Sq. Total current	36 A <sup>2</sup>
Switching frequency	max. 0.5 Hz
Interrupting rating (ohmic load) max.	Observe derating and load limit curve
Output fuse	6 A gL/gG

## Connection data

### Connection technology

pluggable	yes
-----------	-----

### Conductor connection

Connection method	Push-in connection
Conductor cross-section rigid	0.2 mm <sup>2</sup> ... 1.5 mm <sup>2</sup>
Conductor cross-section flexible	0.2 mm <sup>2</sup> ... 1.5 mm <sup>2</sup>
Conductor cross-section, flexible, with ferrule, with plastic sleeve	0.25 mm <sup>2</sup> ... 1.5 mm <sup>2</sup> (only together with CRIMPFOX 6)
Conductor cross-section, flexible, with ferrule, without plastic sleeve	0.25 mm <sup>2</sup> ... 1.5 mm <sup>2</sup> (only together with CRIMPFOX 6)
Conductor cross-section AWG	24 ... 16
Stripping length	8 mm

## Signaling

Status display	3 x LED (green)
Operating voltage display	1 x LED (green)

## Dimensions

Width	22.5 mm
Height	112 mm
Depth	114.5 mm

## Material specifications

Color (Housing)	yellow (RAL 1018)
Housing material	PA

## Characteristics

2900510

<https://www.phoenixcontact.com/us/products/2900510>

## Safety data

Stop category (EN 60204-1)	0
Safety data: EN ISO 13849	
Performance level (PL)	e (5 A DC13; 5 A AC15; 8760 switching cycles/year)
Safety data: IEC 61508 - High demand	
Safety Integrity Level (SIL)	3
Safety data: IEC 61508 - Low demand	
Safety Integrity Level (SIL)	3
Safety data: EN IEC 62061	
Safety Integrity Level (SIL)	3

## Environmental and real-life conditions

### Ambient conditions

Degree of protection	IP20
Min. degree of protection of inst. location	IP54
Ambient temperature (operation)	-20 °C ... 55 °C (observe derating)
Ambient temperature (storage/transport)	-40 °C ... 70 °C
Maximum altitude	≤ 2000 m (Above sea level)
Max. permissible humidity (storage/transport)	75 % (on average, 85% infrequently, non-condensing)
Max. permissible relative humidity (operation)	75 % (on average, 85% infrequently, non-condensing)
Shock	15g
Vibration (operation)	10 Hz ... 150 Hz, 2g

## Approvals

### CE

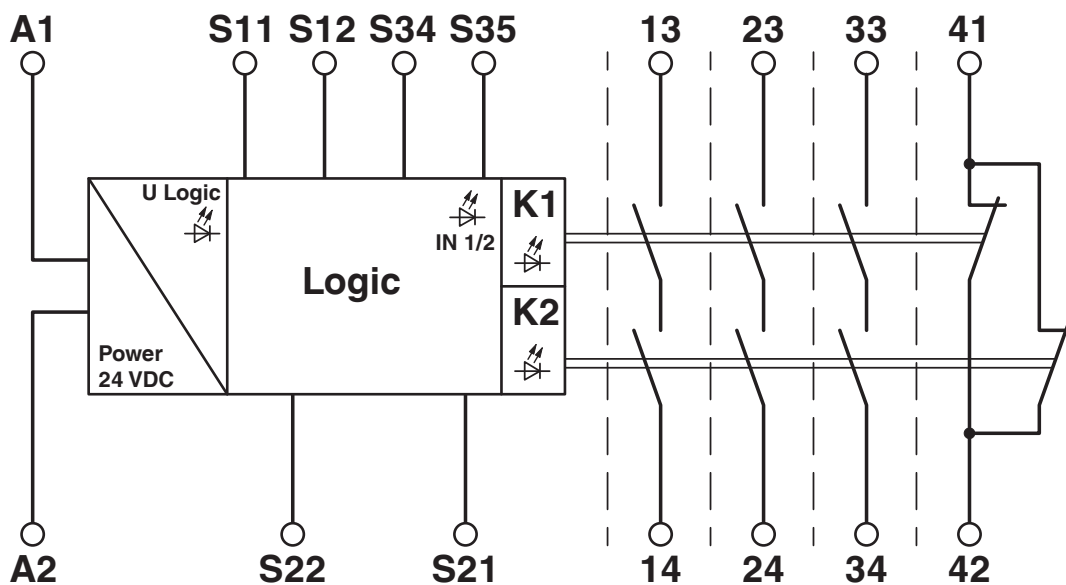
Identification	CE-compliant
----------------	--------------

## Mounting

Mounting type	DIN rail mounting
Assembly note	See derating curve
Mounting position	vertical or horizontal

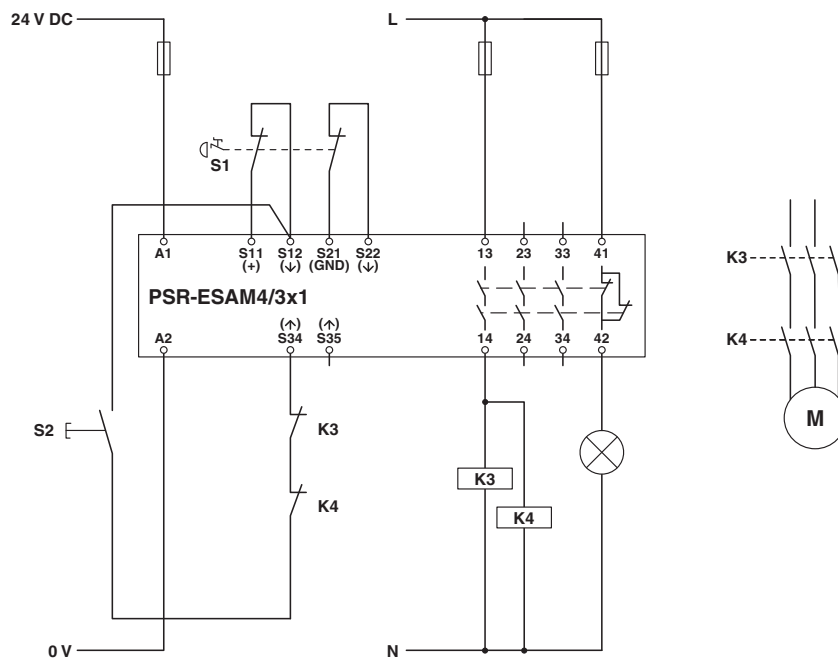
Drawings

Circuit diagram



Block diagram

Circuit diagram



2-channel emergency stop monitoring

# PSR-SPP- 24UC/ESAM4/3X1/1X2/B - Safety relays



2900510

<https://www.phoenixcontact.com/us/products/2900510>

## Approvals

To download certificates, visit the product detail page: <https://www.phoenixcontact.com/us/products/2900510>



**cULus Listed**

Approval ID: E140324



**Functional Safety**

Approval ID: 01/205/5117.04/23

2900510

<https://www.phoenixcontact.com/us/products/2900510>

## Classifications

### ECLASS

ECLASS-13.0	27371819
ECLASS-15.0	27371819
ECLASS-15.0 ASSET	27250101

### ETIM

ETIM 10.0	EC001449
-----------	----------

### UNSPSC

UNSPSC 21.0	39122205
-------------	----------

2900510

<https://www.phoenixcontact.com/us/products/2900510>

## Environmental product compliance

### EU RoHS

Fulfills EU RoHS substance requirements	Yes
Exemption	7(a), 7(c)-I

### China RoHS

Environment friendly use period (EFUP)	EFUP-50
	An article-related China RoHS declaration table can be found in the download area for the respective article under "Manufacturer declaration". For all articles with EFUP-E, no China RoHS declaration table issued and required.

### EU REACH SVHC

REACH candidate substance (CAS No.)	Lead(CAS: 7439-92-1)
SCIP	faf72f3e-a5d6-475a-adeb-073ef25de3a9

### EF3.1 Climate Change

CO2e kg	5.34 kg CO2e
---------	--------------

Phoenix Contact 2026 © - all rights reserved  
<https://www.phoenixcontact.com>

Phoenix Contact USA  
 586 Fulling Mill Road  
 Middletown, PA 17057, United States  
 (+717) 944-1300  
[info@phoenixcon.com](mailto:info@phoenixcon.com)