

# PLC-BPT-TTL/1 - Relay base

2900458

<https://www.phoenixcontact.com/us/products/2900458>



Please be informed that the data shown in this PDF document is generated from our online catalog. Please find the complete data in the user documentation. Our general terms of use for downloads are valid.



6.2 mm PLC basic terminal block for TTL signal with push-in connection, without relay or solid-state relay, for mounting on DIN rail NS 35/7,5, 1 N/O contact, input voltage TTL (5 V DC)

## Your advantages

- 6.2 mm narrow design width
- Screw and spring-cage connection
- RT III protection
- Safe isolation in accordance with EN 50178 (VDE 0160)
- Status indicator
- 4 kV<sub>rms</sub> electrical isolation between coil and contact
- Bridging options

## Commercial data

Item number	2900458
Packing unit	10 pc
Minimum order quantity	10 pc
Sales key	C461
Product key	DK62A1
GTIN	4046356507783
Weight per piece (including packing)	27.19 g
Weight per piece (excluding packing)	27.19 g
Customs tariff number	85366990
Country of origin	DE

## Technical data

### Notes

#### Utilization restriction

EMC note	EMC: class A product, see manufacturer's declaration in the download area
----------	---------------------------------------------------------------------------

### Product properties

Product type	Relay socket
Product family	PLC-INTERFACE
Application	TTL signal at input
Operating mode	100% operating factor

### Input data

Nominal input voltage $U_N$	5 V DC (TTL)
	The nominal voltage of the plug-on electromechanical relay or solid-state relay (see necessary accessories) deviates from the nominal input voltage of the base with integrated upstream circuit
	5 V DC (TTL)
	The nominal voltage of the plug-on electromechanical relay or solid-state relay (see necessary accessories) deviates from the nominal input voltage of the base with integrated upstream circuit

### Relay assembly

Rated control circuit supply voltage $U_S$	5 V DC
Voltage range with reference to $U_S$	0.9 ... 1.2
Rated control supply current $I_S$	41 mA
Rated actuating voltage $U_C$	5 V DC (TTL)
Voltage range with reference to $U_C$	0.9 ... 1.2
Rated actuating current $I_C$	2.5 mA
Typical response time	4.5 ms
Typical release time	3.5 ms
Operating voltage display	Yellow LED
Protective circuit	Reverse polarity protection
	Surge protection
Surge voltage protection	> 6.5 V

### Optocoupler assembly

Rated control circuit supply voltage $U_S$	5 V DC
Voltage range with reference to $U_S$	0.9 ... 1.2
Rated control supply current $I_S$	11.5 mA
Rated actuating voltage $U_C$	5 V DC (TTL)
Rated actuating current $I_C$	2.5 mA
Switching level 1 signal ("H") (TTL signal)	> 2 V DC
Switching level 0 signal ("L") (TTL signal)	< 0.8 V DC

# PLC-BPT-TTL/1 - Relay base



2900458

<https://www.phoenixcontact.com/us/products/2900458>

Typical response time	35 µs
Typical release time	320 µs
Operating voltage display	Yellow LED
Protective circuit	Reverse polarity protection
	Surge protection
Transmission frequency	1000 Hz
Surge voltage protection	> 6.5 V

## Output data

Maximum switching voltage	48 V DC
Minimum switching voltage	3 V DC
Limiting continuous current	100 mA
Voltage drop at max. limiting continuous current	< 1 V
Output circuit	2-conductor, floating
Protective circuit	Reverse polarity protection
	Surge protection
Maximum switching voltage	33 V DC
Minimum switching voltage	3 V DC
Limiting continuous current	3 A
Voltage drop at max. limiting continuous current	< 200 mV
Maximum inrush current	15 A (10 ms)
Output circuit	2-conductor, floating
Protective circuit	Reverse polarity protection
	Surge protection

## Connection data

Connection method	Push-in connection
Stripping length	10 mm
Conductor cross-section rigid	0.14 mm <sup>2</sup> ... 2.5 mm <sup>2</sup>
Conductor cross-section flexible	0.14 mm <sup>2</sup> ... 2.5 mm <sup>2</sup>
	0.2 mm <sup>2</sup> ... 2.5 mm <sup>2</sup> (Single ferrule)
	2x 0.5 mm <sup>2</sup> ... 1 mm <sup>2</sup> (TWIN ferrule)
Conductor cross-section AWG	26 ... 14

## Dimensions

### Item dimensions

Width	6.2 mm
Height	80 mm
Depth	94 mm

## Material specifications

Color	gray (RAL 7042)
Flammability rating according to UL 94 (Housing)	V0 (Housing)

# PLC-BPT-TTL/1 - Relay base



2900458

<https://www.phoenixcontact.com/us/products/2900458>

## Environmental and real-life conditions

### Ambient conditions

Ambient temperature (operation)	-20 °C ... 60 °C
Ambient temperature (storage/transport)	-40 °C ... 85 °C

## Approvals

### Corrosive gas test

Identification	ISA-S71.04. G3 Harsh Group
	EN 60068-2-60

## Standards and regulations

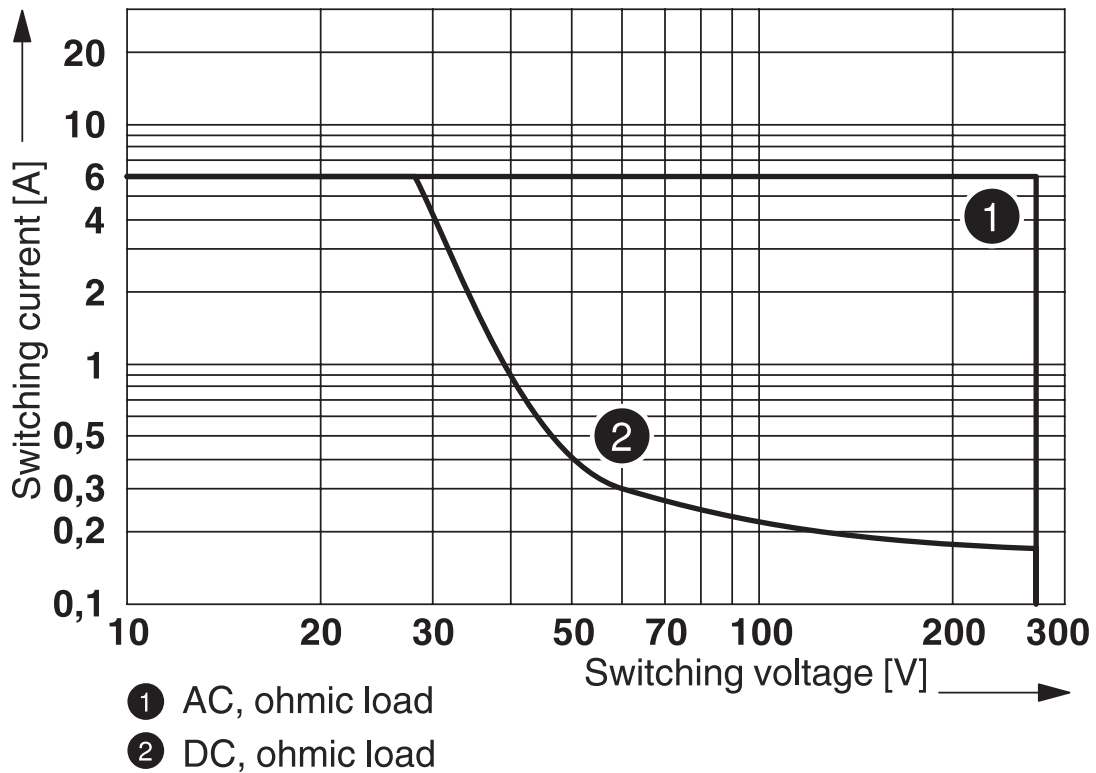
Standards/regulations	IEC/EN 60664-1
-----------------------	----------------

## Mounting

Mounting type	DIN rail mounting
Assembly note	in rows with zero spacing
Mounting position	any

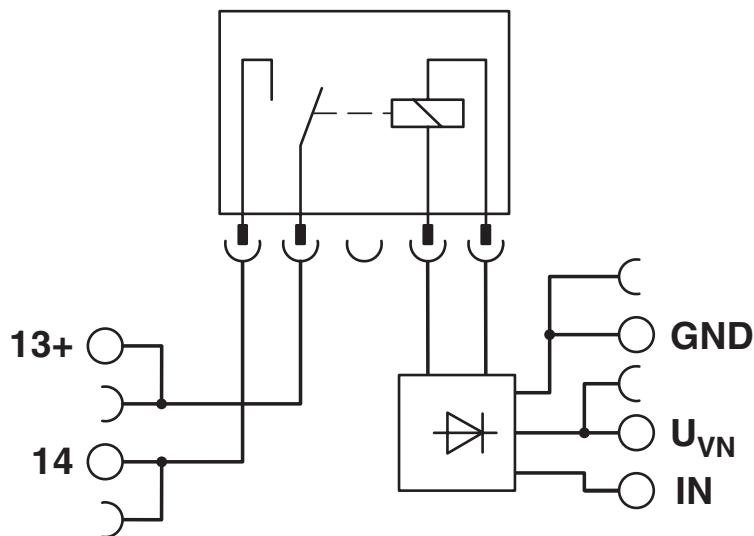
## Drawings

Diagram



Max. interrupting rating

Circuit diagram



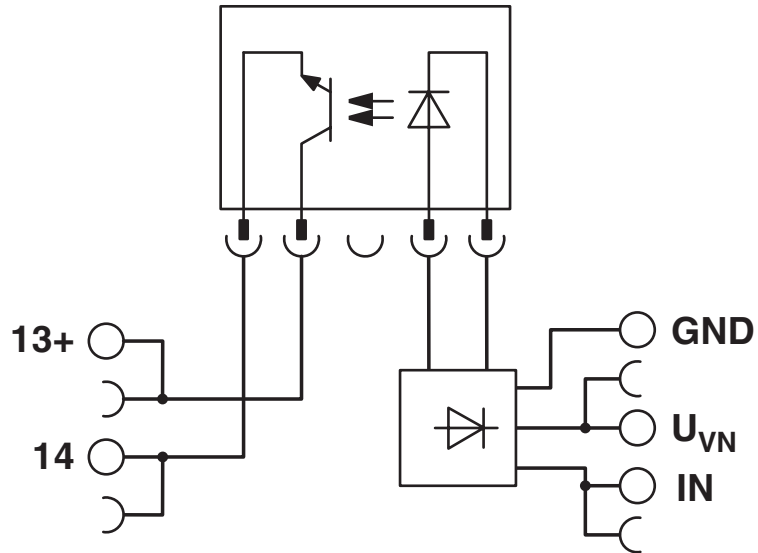
# PLC-BPT-TTL/1 - Relay base

2900458

<https://www.phoenixcontact.com/us/products/2900458>



Circuit diagram



# PLC-BPT-TTL/1 - Relay base



2900458

<https://www.phoenixcontact.com/us/products/2900458>

## Approvals

To download certificates, visit the product detail page: <https://www.phoenixcontact.com/us/products/2900458>



**cUL Recognized**  
Approval ID: E238705



**UL Recognized**  
Approval ID: E238705



**EAC**  
Approval ID: RU D-DE.B\*00573/18

# PLC-BPT-TTL/1 - Relay base



2900458

<https://www.phoenixcontact.com/us/products/2900458>

## Classifications

### ECLASS

ECLASS-13.0	27371603
ECLASS-15.0	27371603

### ETIM

ETIM 10.0	EC001456
-----------	----------

### UNSPSC

UNSPSC 21.0	39122300
-------------	----------

# PLC-BPT-TTL/1 - Relay base



2900458

<https://www.phoenixcontact.com/us/products/2900458>

## Environmental product compliance

### EU RoHS

Fulfills EU RoHS substance requirements	Yes
Exemption	7(a), 7(c)-I

### China RoHS

Environment friendly use period (EFUP)	EFUP-50
	An article-related China RoHS declaration table can be found in the download area for the respective article under "Manufacturer declaration". For all articles with EFUP-E, no China RoHS declaration table issued and required.

### EU REACH SVHC

REACH candidate substance (CAS No.)	Lead(CAS: 7439-92-1)
SCIP	8ef2651d-ef2d-437b-a31b-7f216f6840fa

### EF3.1 Climate Change

CO2e kg	0.909 kg CO2e
---------	---------------

Phoenix Contact 2026 © - all rights reserved  
<https://www.phoenixcontact.com>

Phoenix Contact USA  
586 Fulling Mill Road  
Middletown, PA 17057, United States  
(+717) 944-1300  
[info@phoenixcon.com](mailto:info@phoenixcon.com)