

# PLC-OPT- 24DC/ 48DC/500/W - Solid-state relay module



2900378

<https://www.phoenixcontact.com/us/products/2900378>

Please be informed that the data shown in this PDF document is generated from our online catalog. Please find the complete data in the user documentation. Our general terms of use for downloads are valid.



PLC-INTERFACE with electronic changeover contact, consisting of PLC-BPT.../21 basic terminal block with Push-in connection and integrated miniature solid-state relay, for mounting on DIN rail NS 35/7,5, 1 changeover contact, input: 24 V DC, output: 3-48 V DC/500 mA

## Your advantages

- Wear-free switching with no contact bounce
- Resistant to vibrations and shocks
- Protective circuit in input and output
- Option of bridging adjacent modules
- DC voltage outputs of up to 300 V DC/1 A or up to 24 V DC/10 A
- Electronic changeover contact output up to 48 V DC/500 mA
- Status indicator

## Commercial data

Item number	2900378
Packing unit	10 pc
Minimum order quantity	10 pc
Sales key	C461
Product key	DK62A3
GTIN	4046356506977
Weight per piece (including packing)	28.89 g
Weight per piece (excluding packing)	29.46 g
Customs tariff number	85364190
Country of origin	DE

# PLC-OPT- 24DC/ 48DC/500/W - Solid-state relay module



2900378

<https://www.phoenixcontact.com/us/products/2900378>

## Technical data

### Product properties

Product type	Solid-state relay module
Product family	PLC-INTERFACE
Application	With integrated solid-state relay
Operating mode	100% operating factor

### Insulation characteristics: Standards/regulations

Insulation	Basic insulation
Overvoltage category	III
Pollution degree	2

### Data management status

Date of last data management	01.04.2026
------------------------------	------------

### Electrical properties

Maximum power dissipation for nominal condition	0.07 W
---	--------

### Standards/regulations

Rated insulation voltage	300 V
Rated surge voltage	4 kV

### Input data

Nominal input voltage $U_N$	24 V DC
Input voltage range in reference to $U_N$	0.8 ... 1.2
Input voltage range	19.2 V DC ... 28.8 V DC
Switching threshold "0" signal in reference to $U_N$	$\leq 0.4$
Switching threshold "1" signal in reference to $U_N$	$\geq 0.8$
Typical input current at $U_N$	3 mA
Typical response time	0.03 ms
Typical turn-off time	0.15 ms
Operating voltage display	Yellow LED
Protective circuit	Reverse polarity protection; Polarity protection diode Surge protection
Transmission frequency	1000 Hz

### Output data

Contact switching type	1 changeover contact
Design of digital output	electronic
Contact connection type	Power contact
Output voltage range	3 V DC ... 48 V DC
Limiting continuous current	500 mA (see derating curve)
Load current	$\geq 10$ mA (Terminal block 12) $\geq 5$ mA (Terminal block 14)

# PLC-OPT- 24DC/ 48DC/500/W - Solid-state relay module



2900378

<https://www.phoenixcontact.com/us/products/2900378>

Quiescent current	≤ 1.5 mA (Terminal block 12)
	≤ 0.05 mA (Terminal block 14)
Voltage drop at max. limiting continuous current	< 1.2 V
Output circuit	2-conductor, floating
Protective circuit	Reverse polarity protection; Polarity protection diode
	Surge protection

## Connection data

Connection method	Push-in connection
Stripping length	10 mm
Conductor cross-section rigid	0.14 mm <sup>2</sup> ... 2.5 mm <sup>2</sup>
Conductor cross-section flexible	0.14 mm <sup>2</sup> ... 2.5 mm <sup>2</sup>
	0.2 mm <sup>2</sup> ... 2.5 mm <sup>2</sup> (Single ferrule)
	2x 0.5 mm <sup>2</sup> ... 1 mm <sup>2</sup> (TWIN ferrule)
Conductor cross-section AWG	26 ... 14

## Dimensions

### Item dimensions

Width	6.2 mm
Height	80 mm
Depth	94 mm

## Material specifications

Color	gray (RAL 7042)
Flammability rating according to UL 94 (Housing)	V0 (Housing)

## Environmental and real-life conditions

### Ambient conditions

Ambient temperature (operation)	-25 °C ... 60 °C
Ambient temperature (storage/transport)	-40 °C ... 85 °C

## Approvals

### Corrosive gas test

Identification	ISA-S71.04. G3 Harsh Group
	EN 60068-2-60

## Standards and regulations

### Standards/regulations

Standards/regulations	IEC 60664
	EN 50178

## Mounting

Mounting type	DIN rail mounting
---------------	-------------------

# PLC-OPT- 24DC/ 48DC/500/W - Solid-state relay module



2900378

<https://www.phoenixcontact.com/us/products/2900378>

Assembly note	in rows with zero spacing
Mounting position	any

# PLC-OPT- 24DC/ 48DC/500/W - Solid-state relay module

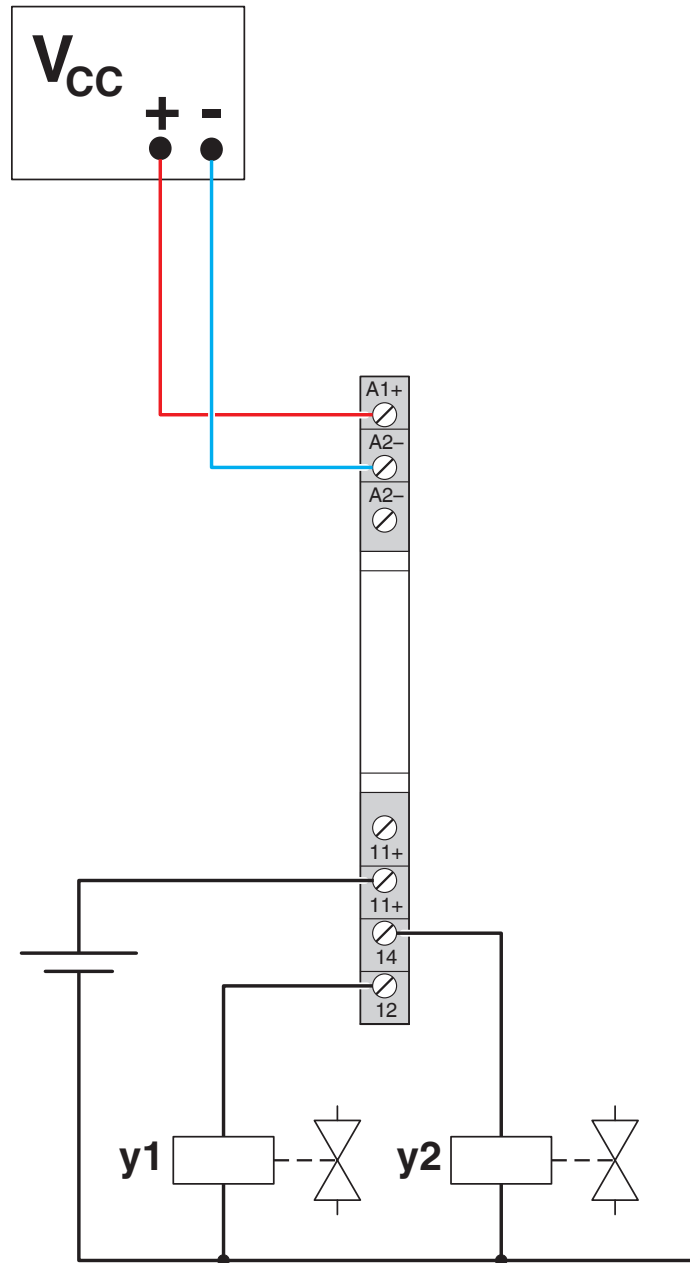


2900378

<https://www.phoenixcontact.com/us/products/2900378>

## Drawings

Application drawing



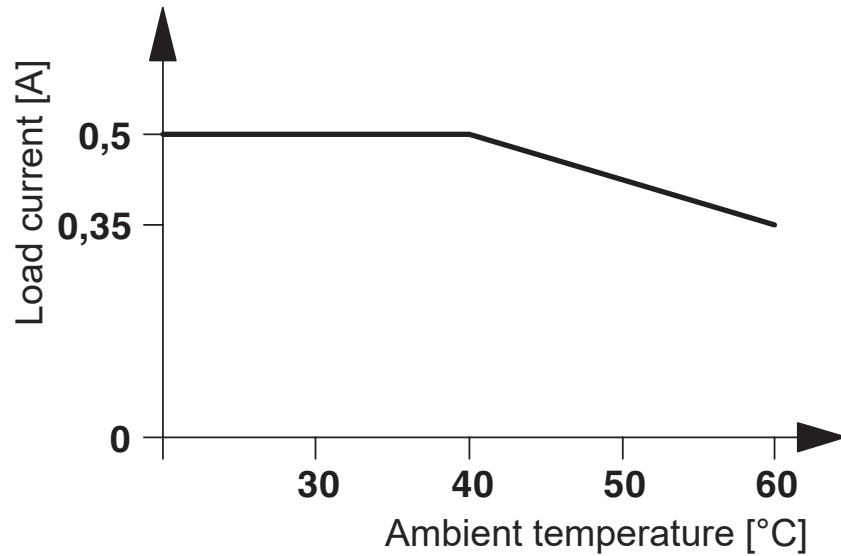
# PLC-OPT- 24DC/ 48DC/500/W - Solid-state relay module



2900378

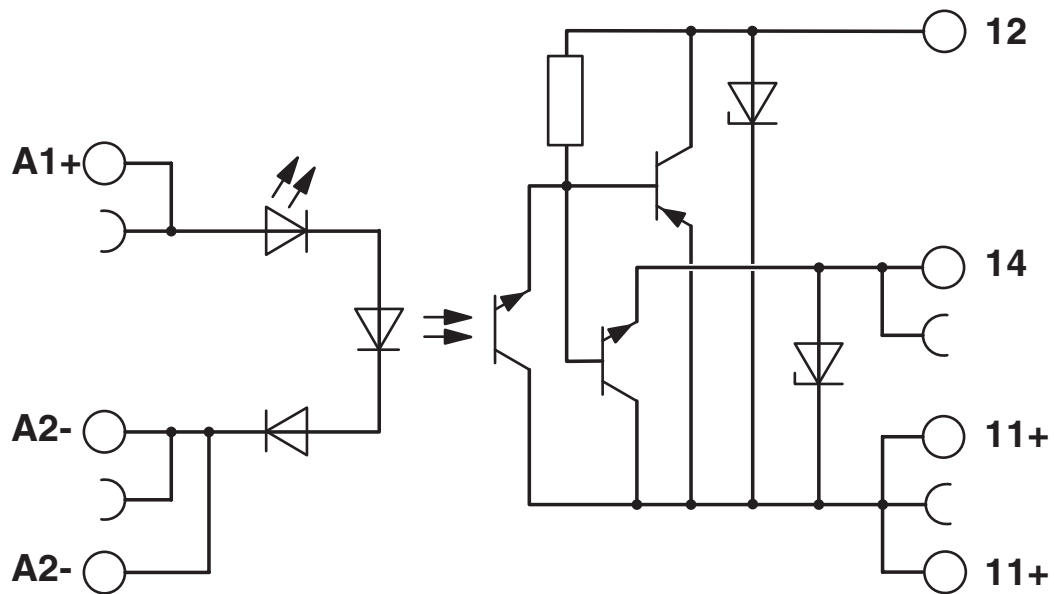
<https://www.phoenixcontact.com/us/products/2900378>

Diagram



The figure shows the derating curve for PLC-...24DC/48DC/500/W

Circuit diagram



# PLC-OPT- 24DC/ 48DC/500/W - Solid-state relay module



2900378

<https://www.phoenixcontact.com/us/products/2900378>

## Approvals

To download certificates, visit the product detail page: <https://www.phoenixcontact.com/us/products/2900378>



**cULus Listed**

Approval ID: E140324



**cULus Listed**

Approval ID: E140324

# PLC-OPT- 24DC/ 48DC/500/W - Solid-state relay module



2900378

<https://www.phoenixcontact.com/us/products/2900378>

## Classifications

### ECLASS

ECLASS-13.0	27371604
ECLASS-15.0	27371604

### ETIM

ETIM 10.0	EC001504
-----------	----------

### UNSPSC

UNSPSC 21.0	39122300
-------------	----------

# PLC-OPT- 24DC/ 48DC/500/W - Solid-state relay module



2900378

<https://www.phoenixcontact.com/us/products/2900378>

## Environmental product compliance

### EU RoHS

Fulfills EU RoHS substance requirements	Yes
Exemption	7(a), 7(c)-I

### China RoHS

Environment friendly use period (EFUP)	EFUP-50
	An article-related China RoHS declaration table can be found in the download area for the respective article under "Manufacturer declaration". For all articles with EFUP-E, no China RoHS declaration table issued and required.

### EU REACH SVHC

REACH candidate substance (CAS No.)	Lead(CAS: 7439-92-1)
SCIP	0e235f68-d7d4-484a-8115-5d136084f2b0

Phoenix Contact 2026 © - all rights reserved

<https://www.phoenixcontact.com>

Phoenix Contact USA  
586 Fulling Mill Road  
Middletown, PA 17057, United States  
(+717) 944-1300  
[info@phoenixcon.com](mailto:info@phoenixcon.com)