

IB IL DALI-PAC - Communication module



2897910

<https://www.phoenixcontact.com/us/products/2897910>

Please be informed that the data shown in this PDF document is generated from our online catalog. Please find the complete data in the user documentation. Our general terms of use for downloads are valid.

Inline, DALI master, Extension for IB IL DALI/PWR-PAC, transmission speed in the local bus: 500 kbps, degree of protection: IP20, including Inline connector and labeling field



Product description

The terminal is designed for use within an Inline station. It represents a DALI master that can control up to 63 DALI ballasts. The IB IL DALI-PAC is an extension terminal for the IB IL DALI/PWR-PAC. Up to 3 IB IL DALI-PAC can be connected downstream of the IB IL DALI/PWR-PAC.

Your advantages

- DALI master without integrated DALI bus supply
- DALI bus protected against unintentional connection of mains voltage (up to 250 V AC)
- Diagnostic and status indicators

Commercial data

Item number	2897910
Packing unit	1 pc
Minimum order quantity	1 pc
Sales key	DR18
Product key	DRHABA
GTIN	4046356133074
Weight per piece (including packing)	80.5 g
Weight per piece (excluding packing)	57 g
Customs tariff number	85389099
Country of origin	DE

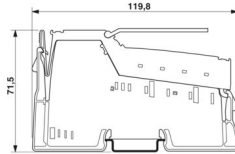
IB IL DALI-PAC - Communication module

2897910

<https://www.phoenixcontact.com/us/products/2897910>

Technical data

Dimensions

Dimensional drawing	
Width	12.2 mm
Height	119.8 mm
Depth	71.5 mm
Note on dimensions	Housing dimensions

Notes

Note on application

Note on application	Only for industrial use
---------------------	-------------------------

Material specifications

Color (Housing)	gray (RAL 7042)
-----------------	-----------------

Interfaces

Inline local bus

Connection method	Inline data jumper
Transmission speed	500 kbps

Fieldbus: DALI

Designation	DALI
Connection method	Inline connector
Supply voltage	typ. 14 V DC (Bus voltage)
Output current with short-circuit	max. 250 mA
Current carrying capacity	max. 128 mA (Bus load: observe the derating of terminal IB IL DALI/PWR-PAC.)
Transmission speed	1200 bps
Type of protection	Bus protected up to 250 V AC, maximum

System properties

Programming data (LocalbusSlave)

Length code (hex)	02
ID code (dec.)	191
Length code (dec)	02
Process data channel	32 bit

IB IL DALI-PAC - Communication module



2897910

<https://www.phoenixcontact.com/us/products/2897910>

Input address area	4 Byte
Output address area	4 Byte
Parameter channel (PCP)	0 Byte
Register length (bus)	32 bit

Fieldbus data telegram

Required parameter data	1 Byte
Required configuration data	5 Byte

Product properties

Product type	I/O component
Product family	Inline
Type	modular
Installation location	Control cabinet
Scope of supply	including Inline connector and labeling field
No. of channels	1
Special properties	Extension for IB IL DALI/PWR-PAC

Insulation characteristics

Overvoltage category	II (IEC 60664-1, EN 60664-1)
Pollution degree	2 (IEC 60664-1, EN 60664-1)

Electrical properties

Potentials: Communications power (U_L)

Supply voltage	7.5 V DC (via voltage jumper)
Current draw	max. 38 mA

Potentials: DALI supply voltage U_{DALI}

Current draw	max. 128 mA
--------------	-------------

Connection data

Connection technology

Connection name	Inline connector
-----------------	------------------

Inline connector

Connection method	Spring-cage connection
Conductor cross-section, rigid	0.2 mm ² ... 1.5 mm ²
Conductor cross-section, flexible	0.2 mm ² ... 1.5 mm ²
Conductor cross-section AWG	24 ... 16
Stripping length	8 mm

Environmental and real-life conditions

Ambient conditions

IB IL DALI-PAC - Communication module



2897910

<https://www.phoenixcontact.com/us/products/2897910>

Ambient temperature (operation)	-25 °C ... 60 °C (Observe derating when using terminal IB IL DALI/PWR-PAC, see data sheet DB EN IB IL DALI/PWR-PAC.)
Degree of protection	IP20
Air pressure (operation)	80 kPa ... 106 kPa (up to 2000 m above sea level)
Air pressure (storage/transport)	70 kPa ... 106 kPa (up to 3000 m above sea level)
Ambient temperature (storage/transport)	-25 °C ... 85 °C
Permissible humidity (operation)	10 % ... 95 % (non-condensing)
Permissible humidity (storage/transport)	10 % ... 95 % (non-condensing)

Standards and regulations

Protection class	III (IEC 61140, EN 61140, VDE 0140-1)
------------------	---------------------------------------

Mounting

Mounting type	DIN rail mounting
---------------	-------------------

IB IL DALI-PAC - Communication module

2897910

<https://www.phoenixcontact.com/us/products/2897910>

Drawings

Dimensional drawing



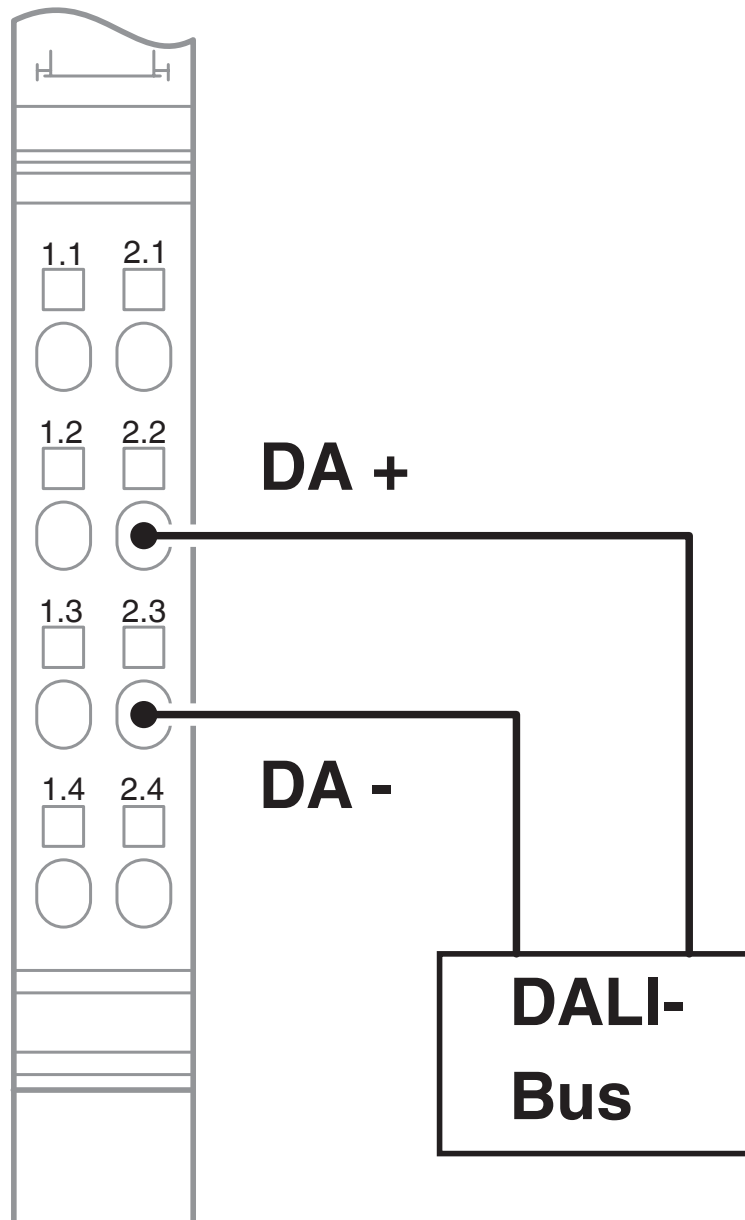
IB IL DALI-PAC - Communication module

2897910

<https://www.phoenixcontact.com/us/products/2897910>



Connection diagram



IB IL DALI-PAC - Communication module



2897910

<https://www.phoenixcontact.com/us/products/2897910>

Classifications

ECLASS

ECLASS-13.0	27242608
ECLASS-15.0	27242608

ETIM

ETIM 10.0	EC001604
-----------	----------

UNSPSC

UNSPSC 21.0	32151600
-------------	----------

2897910

<https://www.phoenixcontact.com/us/products/2897910>

Environmental product compliance

China RoHS

Environment friendly use period (EFUP)	EFUP-50
	An article-related China RoHS declaration table can be found in the download area for the respective article under "Manufacturer declaration". For all articles with EFUP-E, no China RoHS declaration table issued and required.

EU REACH SVHC

REACH candidate substance (CAS No.)	No substance above 0.1 wt%
-------------------------------------	----------------------------

Phoenix Contact 2026 © - all rights reserved
<https://www.phoenixcontact.com>

Phoenix Contact USA
586 Fulling Mill Road
Middletown, PA 17057, United States
(+717) 944-1300
info@phoenixcon.com