

# IB IL DALI/PWR-PAC - Communication module



2897813

<https://www.phoenixcontact.com/us/products/2897813>

Please be informed that the data shown in this PDF document is generated from our online catalog. Please find the complete data in the user documentation. Our general terms of use for downloads are valid.



Inline, DALI master, integrated DALI power supply unit, safe electrical isolation, transmission speed in the local bus: 500 kbps, degree of protection: IP20, including Inline connectors and marking fields

## Product description

The terminal is designed for use within an Inline station. It represents a DALI master that can control up to 63 DALI ballasts. The IB IL DALI/PWR-PAC has an integrated DALI power supply unit. It can be extended with up to 3 additional IB IL DALI-PAC DALI masters.

## Your advantages

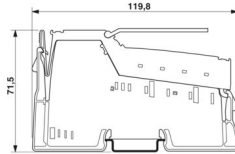
- Safe electrical isolation of the DALI bus
- Indicators for diagnostics, transmission, and reception
- Protection of the DALI bus against accidental connection of the mains voltage (up to 250 V AC)
- Up to 64 DALI devices per master terminal
- Function blocks for PC Worx are available

## Commercial data

Item number	2897813
Packing unit	1 pc
Minimum order quantity	1 pc
Sales key	DR18
Product key	DRHABA
GTIN	4046356133067
Weight per piece (including packing)	295 g
Weight per piece (excluding packing)	286 g
Customs tariff number	85389099
Country of origin	DE

## Technical data

### Dimensions

Dimensional drawing	
Width	48.8 mm
Height	119.8 mm
Depth	71.5 mm
Note on dimensions	Housing dimensions

### Notes

#### Note on application

Note on application	Only for industrial use
---------------------	-------------------------

### Material specifications

Color (Housing)	gray (RAL 7042)
-----------------	-----------------

### Interfaces

#### Inline local bus

Connection method	Inline data jumper
Transmission speed	500 kbps

#### Fieldbus: DALI

Designation	DALI
Connection method	Inline connector
Supply voltage	typ. 14 V DC (Bus voltage)
Output current with short-circuit	max. 250 mA
Current carrying capacity	max. 128 mA (Bus load; observe derating when using DALI extension terminals.)
Transmission speed	1200 bps
Type of protection	Bus protected up to 250 V AC, maximum

### System properties

#### System limits

Number of local bus devices that can be connected	3 (DALI extension terminals)
---	------------------------------

#### Programming data (LocalbusSlave)

Length code (hex)	02
ID code (dec.)	191

2897813

<https://www.phoenixcontact.com/us/products/2897813>

Length code (dec)	02
Process data channel	32 bit
Input address area	4 Byte
Output address area	4 Byte
Parameter channel (PCP)	0 Byte
Register length (bus)	32 bit

#### Fieldbus data telegram

Required parameter data	1 Byte
Required configuration data	5 Byte

#### Product properties

Product type	I/O component
Product family	Inline
Type	modular
Installation location	Control cabinet
Scope of supply	including Inline connectors and marking fields
No. of channels	1
Special properties	integrated DALI power supply unit safe electrical isolation

#### Electrical properties

Maximum power dissipation for nominal condition	10.6 W
---	--------

#### Potentials: Communications power ( $U_L$ )

Supply voltage	7.5 V DC (via voltage jumper)
Current draw	max. 38 mA

#### Potentials: Main circuit supply ( $U_M$ )

Supply voltage	24 V DC (via voltage jumper)
Supply voltage range	19.2 V DC ... 30 V DC (including all tolerances, including ripple)
Current draw	max. 441 mA

#### Potentials: DALI supply voltage $U_{DALI}$

Power supply	max. 512 mA
Current draw	max. 128 mA

#### Connection data

##### Connection technology

Connection name	Inline connector
-----------------	------------------

##### Inline connector

Connection method	Spring-cage connection
Conductor cross-section, rigid	0.2 mm <sup>2</sup> ... 1.5 mm <sup>2</sup>
Conductor cross-section, flexible	0.2 mm <sup>2</sup> ... 1.5 mm <sup>2</sup>
Conductor cross-section AWG	24 ... 16

# IB IL DALI/PWR-PAC - Communication module



2897813

<https://www.phoenixcontact.com/us/products/2897813>

Stripping length	8 mm
------------------	------

## Environmental and real-life conditions

### Ambient conditions

Ambient temperature (operation)	-25 °C ... 60 °C (Observe derating when using DALI extension terminals.)
Degree of protection	IP20
Air pressure (operation)	80 kPa ... 106 kPa (up to 2000 m above sea level)
Air pressure (storage/transport)	70 kPa ... 106 kPa (up to 3000 m above sea level)
Ambient temperature (storage/transport)	-25 °C ... 85 °C
Permissible humidity (operation)	10 % ... 95 % (non-condensing)
Permissible humidity (storage/transport)	10 % ... 95 % (non-condensing)

## Standards and regulations

Protection class	III (IEC 61140, EN 61140, VDE 0140-1)
------------------	---------------------------------------

## Mounting

Mounting type	DIN rail mounting
---------------	-------------------

# IB IL DALI/PWR-PAC - Communication module

2897813

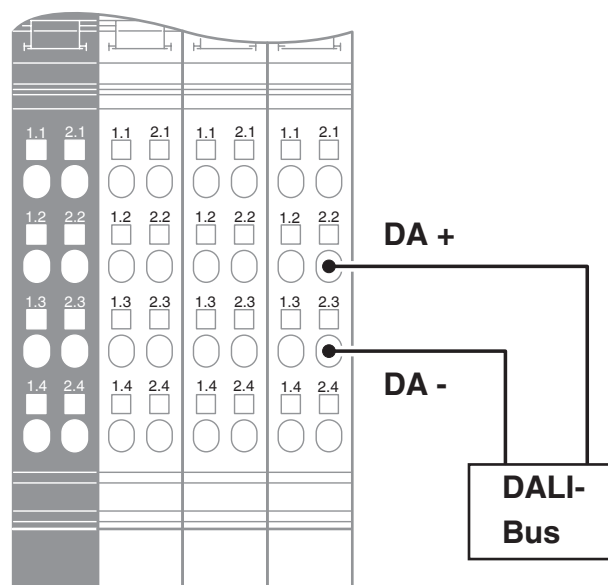
<https://www.phoenixcontact.com/us/products/2897813>

## Drawings

Dimensional drawing



Connection diagram



2897813

<https://www.phoenixcontact.com/us/products/2897813>

## Classifications

### ECLASS

ECLASS-13.0	27242608
ECLASS-15.0	27242608

### ETIM

ETIM 10.0	EC001604
-----------	----------

### UNSPSC

UNSPSC 21.0	32151600
-------------	----------

2897813

<https://www.phoenixcontact.com/us/products/2897813>

## Environmental product compliance

### China RoHS

Environment friendly use period (EFUP)	EFUP-50
	An article-related China RoHS declaration table can be found in the download area for the respective article under "Manufacturer declaration". For all articles with EFUP-E, no China RoHS declaration table issued and required.

### EU REACH SVHC

REACH candidate substance (CAS No.)	No substance above 0.1 wt%
-------------------------------------	----------------------------

### EF3.1 Climate Change

CO2e kg	16.974 kg CO2e
---------	----------------

Phoenix Contact 2026 © - all rights reserved

<https://www.phoenixcontact.com>

Phoenix Contact USA  
586 Fulling Mill Road  
Middletown, PA 17057, United States  
(+717) 944-1300  
[info@phoenixcon.com](mailto:info@phoenixcon.com)