

# ME MAX 35 MT 2-2 KMGY - Intermediate element



2890852

<https://www.phoenixcontact.com/us/products/2890852>

Please be informed that the data shown in this PDF document is generated from our online catalog. Please find the complete data in the user documentation. Our general terms of use for downloads are valid.



DIN rail housing, Intermediate element, tall design, with vents, width: 17.6 mm, height: 99 mm, depth: 112.85 mm, color: light gray (similar RAL 7035), cross connection: without bus connector

## Your advantages

- Easy installation
- Variety of connection technology
- Can be mounted on the DIN rail

## Commercial data

Item number	2890852
Packing unit	10 pc
Minimum order quantity	10 pc
Note	Made to order (non-returnable)
Sales key	AC08
Product key	ACHABZ
GTIN	4046356098274
Weight per piece (including packing)	23.056 g
Weight per piece (excluding packing)	21.57 g
Customs tariff number	85389099
Country of origin	DE

# ME MAX 35 MT 2-2 KMGY - Intermediate element

2890852

<https://www.phoenixcontact.com/us/products/2890852>

## Technical data

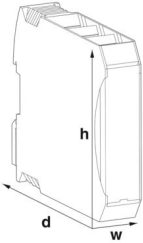
### Notes

Assembly note	Please observe the application note in the download area.
---------------	---

### Product properties

Product type	Complete housing center part
Housing type	DIN rail housing
Housing type	Modular housings
Housing series	ME-MAX
Product family	ME MAX 35..
Max. number of positions	20 (pitch: 3.5 mm) 16 (pitch: 5 mm)
Number of rows	2 2
Number (Connection openings)	4
Ventilation openings present	yes
Anzahl der Etagen Housing (Makro)	2 (Both sides)

### Dimensions

Dimensional drawing	
Width	17.6 mm
Height	99 mm
Depth	112.85 mm
Depth from top edge of DIN rail	107 mm

### Material specifications

Color (Intermediate element)	light gray (RAL 7035)
Material Intermediate element	PA
Flammability rating according to UL 94	V0
CTI according to IEC 60112	600

### Environmental and real-life conditions

#### Ambient conditions

Max. IP code to attain	IP20
Ambient temperature (operation)	-40 °C ... 105 °C (depending on power dissipation)

# ME MAX 35 MT 2-2 KMGY - Intermediate element



2890852

<https://www.phoenixcontact.com/us/products/2890852>

Ambient temperature (storage/transport)	-40 °C ... 55 °C
Ambient temperature (assembly)	-5 °C ... 100 °C
Relative humidity (storage/transport)	80 %

## PCB data

Number of PCB holders	1
Type of PCB mount	Latching

## Mounting

Mounting type	Latching with housing half-shell or intermediate element
---------------	--

## Packaging specifications

Type of packaging	packed in cardboard
Outer packaging type	Carton

# ME MAX 35 MT 2-2 KMGY - Intermediate element

2890852

<https://www.phoenixcontact.com/us/products/2890852>



## Drawings

Dimensional drawing



Schematic figure for illustrating the item dimensions. The figure is not of the desired product. For further details, refer to the product drawings in the "Downloads" tab.

# ME MAX 35 MT 2-2 KMGY - Intermediate element



2890852

<https://www.phoenixcontact.com/us/products/2890852>

## Approvals

To download certificates, visit the product detail page: <https://www.phoenixcontact.com/us/products/2890852>



**UL Recognized**

Approval ID: E240868

# ME MAX 35 MT 2-2 KMGY - Intermediate element



2890852

<https://www.phoenixcontact.com/us/products/2890852>

## Classifications

### ECLASS

ECLASS-13.0	27190604
ECLASS-15.0	27190604

### ETIM

ETIM 10.0	EC002779
-----------	----------

### UNSPSC

UNSPSC 21.0	31261500
-------------	----------

# ME MAX 35 MT 2-2 KMGY - Intermediate element



2890852

<https://www.phoenixcontact.com/us/products/2890852>

## Environmental product compliance

### EU RoHS

Fulfills EU RoHS substance requirements	Yes, No exemptions
---	--------------------

### China RoHS

Environment friendly use period (EFUP)	EFUP-E
	No hazardous substances above the limits

### EU REACH SVHC

REACH candidate substance (CAS No.)	No substance above 0.1 wt%
-------------------------------------	----------------------------

### EF3.1 Climate Change

CO2e kg	0.122 kg CO2e
---------	---------------

Phoenix Contact 2026 © - all rights reserved  
<https://www.phoenixcontact.com>

Phoenix Contact USA  
586 Fulling Mill Road  
Middletown, PA 17057, United States  
(+717) 944-1300  
[info@phoenixcon.com](mailto:info@phoenixcon.com)