

FLT-CP-350-ST - Type 1 surge protection plug



2881887

<https://www.phoenixcontact.com/us/products/2881887>

Please be informed that the data shown in this PDF document is generated from our online catalog. Please find the complete data in the user documentation. Our general terms of use for downloads are valid.



Type 1 / Class I / B arrester (lightning current arrester) replacement plug for paths L-N and L-PEN, can be combined with FLASHTRAB compact series of products.

Commercial data

Item number	2881887
Packing unit	1 pc
Minimum order quantity	1 pc
Sales key	CL01
Product key	CL1211
GTIN	4046356098557
Weight per piece (including packing)	154 g
Weight per piece (excluding packing)	127.93 g
Customs tariff number	85363030
Country of origin	DE

FLT-CP-350-ST - Type 1 surge protection plug

2881887

<https://www.phoenixcontact.com/us/products/2881887>

Technical data

Notes

General

Note	Only in parallel connection with VAL-CP-350-ST. The technical parameters are based on the combination of the two products.
------	--

Product properties

Product type	Replacement plug
IEC test classification	I / II T1 / T2
EN type	T1 / T2
IEC power supply system	TN TT
Type	Male
Number of positions	1
Surge protection fault message	optical

Insulation characteristics

Overvoltage category	III
Pollution degree	2

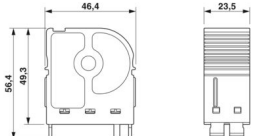
Electrical properties

Nominal frequency f_N	50 Hz (60 Hz)
-------------------------	---------------

Connection data

Connection method	pluggable
-------------------	-----------

Dimensions

Dimensional drawing	
Width	23.5 mm
Height	46.6 mm
Depth	56.4 mm
Horizontal pitch	2 Div.

Material specifications

Color	blue gray (RAL 7031) black (RAL 9005)
Flammability rating according to UL 94	V-0
CTI value of material	600

FLT-CP-350-ST - Type 1 surge protection plug



2881887

<https://www.phoenixcontact.com/us/products/2881887>

Insulating material	PA 6.6/PBT
Material group	I
Housing material	PBT

Protective circuit

Mode of protection	L-PEN
	L-N
Direction of action	L-N / L-PEN
Nominal voltage U_N	240 V AC (TN)
	240 V AC (TT)
Nominal frequency f_N	50 Hz (60 Hz)
Maximum continuous operating voltage U_C	350 V AC
Nominal discharge current I_n (8/20) μ s	25 kA
Impulse discharge current (10/350) μ s, charge	12.5 As
Impulse discharge current (10/350) μ s, specific energy	160 kJ/ Ω
Impulse discharge current (10/350) μ s, peak value I_{imp}	25 kA
Follow current interrupt rating I_{fi}	25 kA (264 V AC)
	3 kA (350 V AC)
Short-circuit current rating I_{SCCR}	25 kA (264 V AC)
	3 kA (350 V AC)
Voltage protection level U_p	≤ 1.5 kV
Residual voltage U_{res}	≤ 1.5 kV (at I_n)
	≤ 1.2 kV (at 10 kA)
	≤ 1 kV (at 5 kA)
	≤ 0.9 kV (at 3 kA)
Front-of-wave sparkover voltage at 6 kV (1.2/50) μ s	≤ 1.5 kV
TOV behavior at U_T	415 V AC (5 s / withstand mode)
	457 V AC (120 min / safe failure mode)
Response time t_A	≤ 25 ns
Max. backup fuse with branch wiring	315 A (gG)

Environmental and real-life conditions

Ambient conditions

Degree of protection	IP20
Ambient temperature (operation)	-40 °C ... 80 °C
Ambient temperature (storage/transport)	-40 °C ... 80 °C
Altitude	≤ 2000 m (amsl)
Permissible humidity (operation)	5 % ... 95 %
Shock (operation)	25g (Half-sine / 11 ms / 3x \pm X, \pm Y, \pm Z)
Vibration (operation)	5g (5 - 500 Hz/2.5 h/X, Y, Z)

Approvals

UL specifications

FLT-CP-350-ST - Type 1 surge protection plug



2881887

<https://www.phoenixcontact.com/us/products/2881887>

Maximum continuous operating voltage MCOV (L-N)	264 V AC
Nominal discharge current I_n (L-N)	20 kA
Mode of protection	L-N
Nominal voltage	240 V AC
Power distribution system	Split phase
Nominal frequency	50/60 Hz
Measured limiting voltage MLV (L-N)	1340 V
Follow current (L-N)	10 kA (264 V AC)
SPD Type	4CA

Standards and regulations

Air clearances and creepage distances

Standards/regulations	IEC 664-1 / IEC 61643-1 / IEC 61643-11
Standards/specifications	IEC 61643-11
Note	2011
Standards/specifications	EN 61643-11
Note	2012

Mounting

Mounting type	on base element
---------------	-----------------

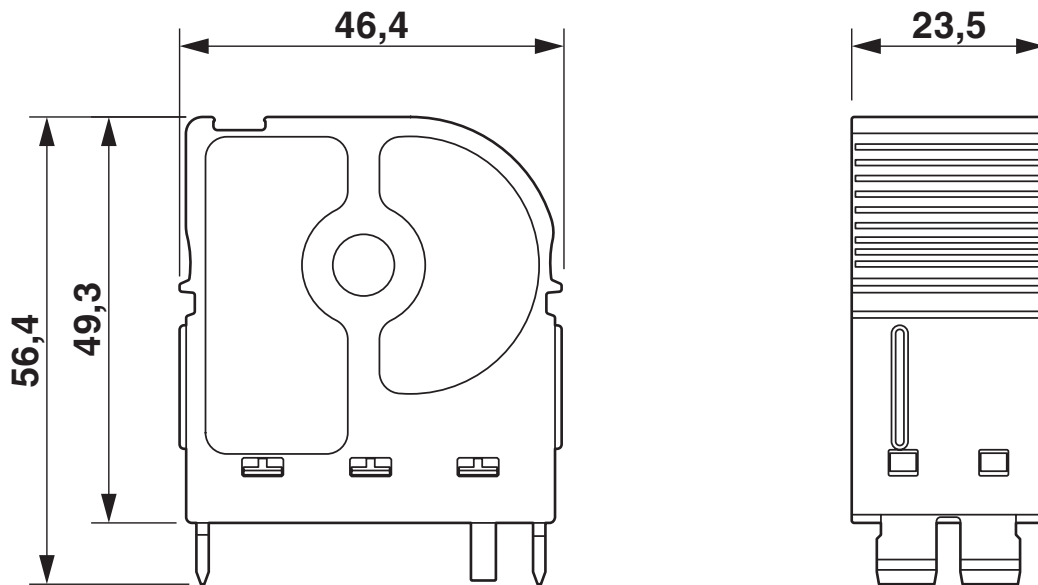
FLT-CP-350-ST - Type 1 surge protection plug

2881887

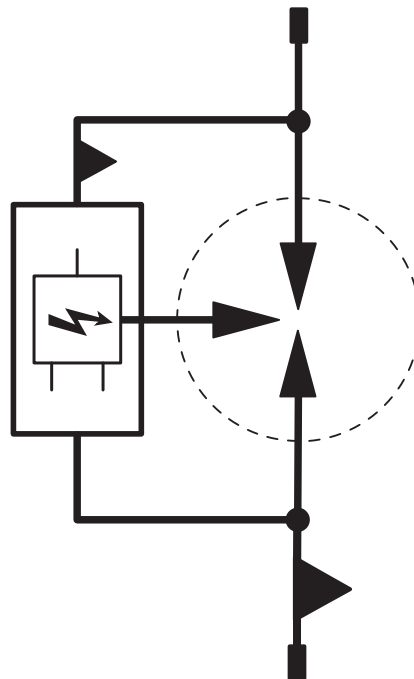
<https://www.phoenixcontact.com/us/products/2881887>

Drawings

Dimensional drawing



Circuit diagram



FLT-CP-350-ST - Type 1 surge protection plug



2881887

<https://www.phoenixcontact.com/us/products/2881887>

Classifications

ECLASS

ECLASS-13.0

27171201

ETIM

ETIM 9.0

EC000381

UNSPSC

UNSPSC 21.0

39121600

FLT-CP-350-ST - Type 1 surge protection plug



2881887

<https://www.phoenixcontact.com/us/products/2881887>

Environmental product compliance

EU RoHS

Fulfills EU RoHS substance requirements	Yes, No exemptions
---	--------------------

China RoHS

Environment friendly use period (EFUP)	EFUP-E
	No hazardous substances above the limits

EU REACH SVHC

REACH candidate substance (CAS No.)	No substance above 0.1 wt%
-------------------------------------	----------------------------

Phoenix Contact 2026 © - all rights reserved
<https://www.phoenixcontact.com>

Phoenix Contact USA
586 Fulling Mill Road
Middletown, PA 17057, United States
(+717) 944-1300
info@phoenixcon.com