

# RAD-ADP-N/F-N/F - Adapter



2867843

<https://www.phoenixcontact.com/us/products/2867843>

Please be informed that the data shown in this PDF document is generated from our online catalog. Please find the complete data in the user documentation. Our general terms of use for downloads are valid.

Antenna adapter for control cabinet feed-through, frequency range: 0.3 GHz ... 6 GHz, degree of protection: IP65, connection: 2 x N (female)



## Your advantages

- Space-saving, thanks to the compact design
- Easy installation with system-conforming connection technology
- For adapting between antenna cables
- For control cabinet feed-through

## Commercial data

Item number	2867843
Packing unit	1 pc
Minimum order quantity	1 pc
Sales key	DN23
Product key	DNN2Z1
GTIN	4046356046923
Weight per piece (including packing)	51.2 g
Weight per piece (excluding packing)	50.6 g
Customs tariff number	85366910
Country of origin	CN

# RAD-ADP-N/F-N/F - Adapter

2867843

<https://www.phoenixcontact.com/us/products/2867843>



## Technical data

### Notes

Note on application

Note on application	Only for industrial use
---------------------	-------------------------

### Product properties

Product type	Coaxial adapter
--------------	-----------------

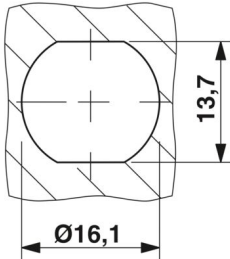
### Electrical properties

Frequency range	0.3 GHz ... 6 GHz
Impedance	50 Ω

### Connection data

Connection method	N (female)
-------------------	------------

### Dimensions

Dimensional drawing	
Width	38 mm
Diameter	16.5 mm
Hole diameter	16.1 mm

### Material specifications

Color	white aluminium (RAL 9006)
Housing material	Brass (CuZn)

### Environmental and real-life conditions

Ambient conditions

Degree of protection	IP65 (when installed)
Ambient temperature (operation)	-65 °C ... 165 °C
Ambient temperature (storage/transport)	-65 °C ... 165 °C

### Mounting

Assembly note	Outdoors and indoors
	Connection-specific attachment plug

# RAD-ADP-N/F-N/F - Adapter

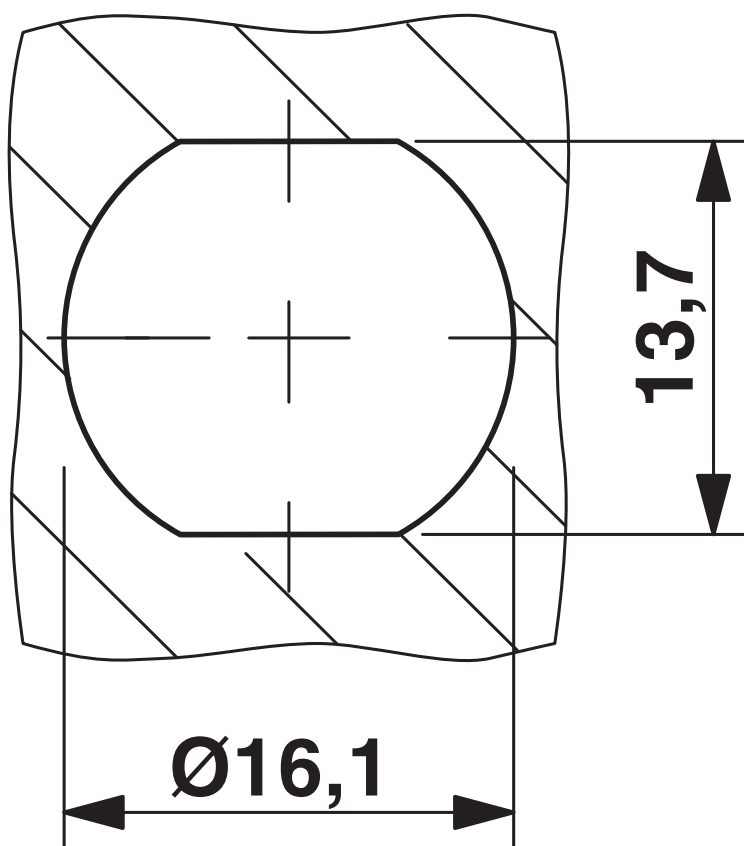
2867843

<https://www.phoenixcontact.com/us/products/2867843>



## Drawings

Dimensional drawing



Drill holes

# RAD-ADP-N/F-N/F - Adapter



2867843

<https://www.phoenixcontact.com/us/products/2867843>

## Classifications

### ECLASS

ECLASS-13.0	19070417
ECLASS-15.0	19070417

### ETIM

ETIM 10.0	EC001135
-----------	----------

### UNSPSC

UNSPSC 21.0	39121400
-------------	----------

# RAD-ADP-N/F-N/F - Adapter



2867843

<https://www.phoenixcontact.com/us/products/2867843>

## Environmental product compliance

### EU RoHS

Fulfills EU RoHS substance requirements	Yes
Exemption	6(c)

### China RoHS

Environment friendly use period (EFUP)	EFUP-E
	No hazardous substances above the limits

### EU REACH SVHC

REACH candidate substance (CAS No.)	Lead(CAS: 7439-92-1)
SCIP	0fb381eb-78b8-48aa-b33d-4f60d783578f

### EF3.1 Climate Change

CO2e kg	1.764 kg CO2e
---------	---------------

Phoenix Contact 2026 © - all rights reserved  
<https://www.phoenixcontact.com>

Phoenix Contact USA  
586 Fulling Mill Road  
Middletown, PA 17057, United States  
(+717) 944-1300  
[info@phoenixcon.com](mailto:info@phoenixcon.com)