

MACX MCR-S-MUX - HART multiplexer



2865599

<https://www.phoenixcontact.com/us/products/2865599>

Please be informed that the data shown in this PDF document is generated from our online catalog. Please find the complete data in the user documentation. Our general terms of use for downloads are valid.



HART Multiplexer for online configuration and diagnostics of HART-compatible field devices, as well as for continuous documentation of process variables and states with a PC or management system for mounting on NS 35/7.5 or NS 32

Your advantages

- Supports online configuration and diagnostics for the connected HART-compatible field devices
- Communication via software tool (e.g., HART OPC server) using RS-485 interface
- Up to 128 HART multiplexers on one PC interface
- 32 HART channels per multiplexer
- Continuous documentation of process variables and states
- Electrical isolation between auxiliary voltage, RS-485 bus, and the HART channels
- HART field devices are accessed parallel to the transmission of the measurement signal without affecting measured value processing
- HART field devices connected via universal HART connection boards; direct connection if processing non-Ex signals, with separate Ex i signal isolator connected upstream if processing Ex signals
- Power supply via HART connection board

Commercial data

Item number	2865599
Packing unit	1 pc
Minimum order quantity	1 pc
Sales key	C402
Product key	DK114W
GTIN	4046356153898
Weight per piece (including packing)	206.4 g
Weight per piece (excluding packing)	206.4 g
Customs tariff number	85176200
Country of origin	DE

MACX MCR-S-MUX - HART multiplexer



2865599

<https://www.phoenixcontact.com/us/products/2865599>

Technical data

Product properties

Product type	Multiplexer
--------------	-------------

Electrical properties

Error monitoring	Processor error: The "PWR" LED flashes; error in the HART communication: the "ERR" LED flashes
------------------	--

Electrical isolation HART signal/RS-485

Electrical isolation	350 V AC
----------------------	----------

Electrical isolation HART signals/HART signals

Electrical isolation	100 V DC (capacitive)
----------------------	-----------------------

Electrical isolation Supply/HART signal/RS-485

Electrical isolation	300 V AC
----------------------	----------

Supply

Supply voltage	24 V DC
Supply voltage range	18 V ... 31.2 V
Typical current consumption	55 mA
Nominal power consumption	1.35 W
Undervoltage monitoring	Yes (no faulty devices / output states)

Interfaces

HART

Designation	HART FSK
Channels	16 or 32; adjustable using a switch
Connection method	Flat-ribbon cable, 14-pos. (inclusive)
HART specification	HART Field Communication Protocol Rev. 7.1 (backward-compatible up to Rev. 4.0); FSK Physical Layer Specification (Rev. 8.1)
Data transmission display	Two yellow "Tx" and "Rx" "HART" LEDs
Display error	Red "ERR" LED (flashes in case of an error in the HART bus)

RS-485

Number	1
Connection method	D-SUB-9 female connector
Designation	RS-485
Data flow control/protocols	Compatible with OPC HART server, PDM, PRM, and FDT/DTM
Number of HART multiplexers per bus segment	max 31
Address setting	0...127; using a rotary switch at the front
Serial transmission speed	9600 / 19200 / 38400 / 57600 [bps]; via rotary switch at the front
Transmission length	≤ 1200 m
Display	Two yellow "Tx" and "Rx" "RS-485" LEDs

MACX MCR-S-MUX - HART multiplexer



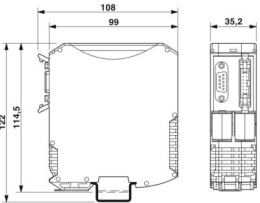
2865599

<https://www.phoenixcontact.com/us/products/2865599>

Signaling

Operating voltage display	Green "PWR" LED
---------------------------	-----------------

Dimensions

Dimensional drawing	
Width	35.2 mm
Height	108.8 mm
Depth	114.5 mm

Material specifications

Color	gray (RAL 7042)
Flammability rating according to UL 94 (Housing)	V0 (Housing)

Environmental and real-life conditions

Ambient conditions

Ambient temperature (operation)	-20 °C ... 60 °C (aligned) -20 °C ... 70 °C (Stand-alone device)
Ambient temperature (storage/transport)	-40 °C ... 80 °C
Max. permissible relative humidity (operation)	≤ 95 % (non-condensing)

Approvals

CE

Certificate	CE-compliant
-------------	--------------

Mounting

Mounting type	DIN rail mounting
---------------	-------------------

MACX MCR-S-MUX - HART multiplexer

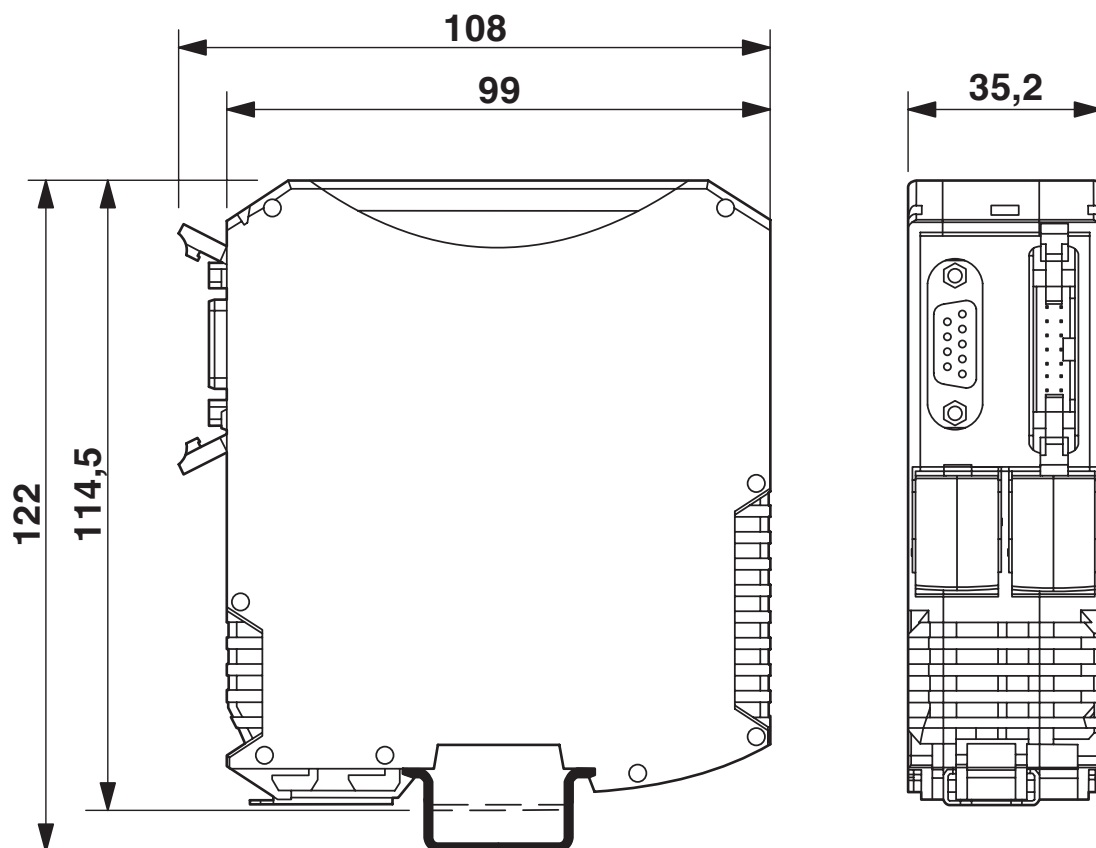
2865599

<https://www.phoenixcontact.com/us/products/2865599>



Drawings

Dimensional drawing



MACX MCR-S-MUX - HART multiplexer



2865599

<https://www.phoenixcontact.com/us/products/2865599>

Approvals

To download certificates, visit the product detail page: <https://www.phoenixcontact.com/us/products/2865599>



EAC

Approval ID: RU*DE.*08.B.01608/19

MACX MCR-S-MUX - HART multiplexer



2865599

<https://www.phoenixcontact.com/us/products/2865599>

Classifications

ECLASS

ECLASS-13.0	27242608
ECLASS-15.0	27242608

ETIM

ETIM 10.0	EC001604
-----------	----------

UNSPSC

UNSPSC 21.0	32151600
-------------	----------

MACX MCR-S-MUX - HART multiplexer



2865599

<https://www.phoenixcontact.com/us/products/2865599>

Environmental product compliance

EU RoHS

Fulfills EU RoHS substance requirements	Yes, No exemptions
---	--------------------

China RoHS

Environment friendly use period (EFUP)	EFUP-50
	An article-related China RoHS declaration table can be found in the download area for the respective article under "Manufacturer declaration". For all articles with EFUP-E, no China RoHS declaration table issued and required.

EU REACH SVHC

REACH candidate substance (CAS No.)	No substance above 0.1 wt%
-------------------------------------	----------------------------

Phoenix Contact 2026 © - all rights reserved

<https://www.phoenixcontact.com>

Phoenix Contact USA
586 Fulling Mill Road
Middletown, PA 17057, United States
(+717) 944-1300
info@phoenixcon.com