

MINI MCR-SL-UI-REL-SP - Limit value switch



2864493

<https://www.phoenixcontact.com/us/products/2864493>

Please be informed that the data shown in this PDF document is generated from our online catalog. Please find the complete data in the user documentation. Our general terms of use for downloads are valid.



MCR threshold value switch, with adjustable hysteresis and delay time, with spring-cage connection. Replacement part: 2902035 MINI MCR-2-UI-REL-PT.

Your advantages

- Power supply possible via the foot element (TBUS)
- Highly-compact threshold value switch for switching analog limit values
- Status and error indication via two diagnostic LEDs
- Changeover contact relay at the output
- 3-way isolation
- Limit value can be freely adjusted via potentiometer on the front
- Input signal, hysteresis, and delay time can be configured via DIP switches
- Operating current/closed circuit current switch-over

Commercial data

Item number	2864493
Packing unit	1 pc
Note	Made to order (non-returnable)
Sales key	C403
Product key	DK1137
GTIN	4017918974886
Weight per piece (including packing)	94.4 g
Weight per piece (excluding packing)	94.4 g
Customs tariff number	85437090
Country of origin	DE

MINI MCR-SL-UI-REL-SP - Limit value switch



2864493

<https://www.phoenixcontact.com/us/products/2864493>

Technical data

Product properties

Product type	Limit value switch
Product family	MINI Analog
No. of channels	1

Insulation characteristics

Overvoltage category	II
Pollution degree	2

Electrical properties

Rated insulation voltage	50 V AC/DC
Electrical isolation	Basic insulation in accordance with EN 61010
Electrical isolation between input and output	yes
Test voltage input/power supply	1.5 kV AC (50 Hz, 60 s)
Switching point accuracy	< 0.05 %
Step response (0–99%)	< 35 ms
Maximum temperature coefficient	< 0.02 %/K

Supply

Nominal supply voltage	24 V DC
Supply voltage range	19.2 V DC ... 30 V DC (The DIN rail connector (ME 6,2 TBUS-2 1,5/5-ST-3,81 GN, item no. 2869728) can be used to bridge the supply voltage. It can be snapped onto a 35 mm DIN rail in accordance with EN 60715)
Max. current consumption	< 14 mA (at 24 V DC)
Power consumption	< 330 mW (at 24 V DC)

Input data

Signal

Number of inputs	1
Voltage input signal	0 V ... 10 V
Max. voltage input signal	30 V
Current input signal	0 mA ... 20 mA
Max. current input signal	100 mA
Input resistance of voltage input	> 100 k Ω
Input resistance current input	50 Ω
Specification of the switching point	With 25-speed potentiometer

Output data

Switching: Relay

Contact switching type	1 changeover contact
Contact material	AgSnO ₂ , hard gold-plated

MINI MCR-SL-UI-REL-SP - Limit value switch



2864493

<https://www.phoenixcontact.com/us/products/2864493>

Maximum switching voltage	250 V AC
	240 V AC (UL)
Limiting continuous current	2 A
Setting range of the response delay	0 s ... 10 s (0 s, 1 s, 2 s, 3 s, 4 s, 6 s, 8 s, 10 s)
Internal hysteresis	0.1 %, 1 %, 2.5 %, 5 %

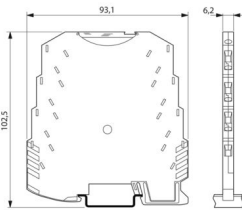
Signal

Number of outputs	1
-------------------	---

Connection data

Connection method	Spring-cage connection
Stripping length	8 mm
Conductor cross-section rigid	0.2 mm ² ... 2.5 mm ²
Conductor cross-section flexible	0.2 mm ² ... 2.5 mm ²
Conductor cross-section AWG	24 ... 12

Dimensions

Dimensional drawing	
Width	6.2 mm
Height	93.1 mm
Depth	102.5 mm

Material specifications

Color	green (RAL 6021)
Housing material	PBT
Fire protection for rail vehicles (DIN EN 45545-2) R22	HL 1 - HL 2
Fire protection for rail vehicles (DIN EN 45545-2) R23	HL 1 - HL 2
Fire protection for rail vehicles (DIN EN 45545-2) R24	HL 1 - HL 2

Environmental and real-life conditions

Ambient conditions

Degree of protection	IP20
Ambient temperature (operation)	-20 °C ... 65 °C
Ambient temperature (storage/transport)	-40 °C ... 85 °C

Approvals

CE

Certificate	CE-compliant
-------------	--------------

MINI MCR-SL-UI-REL-SP - Limit value switch



2864493

<https://www.phoenixcontact.com/us/products/2864493>

ATEX

Identification	⊕ II 3 G Ex nA nC IIC T4 Gc X
----------------	-------------------------------

UL, USA

Identification	Class I, Zone 2, AEx nA nC IIC T5
----------------	-----------------------------------

UL, USA/Canada

Identification	UL 508 Recognized
----------------	-------------------

UL, Canada

Identification	Class I, Zone 2, Ex nA nC IIC T5 Gc
----------------	-------------------------------------

GL

Identification	GL EMC 2 D
----------------	------------

EMC data

Electromagnetic compatibility	Conformance with EMC directive
Noise immunity	EN 61000-6-2
Note	When being exposed to interference, there may be minimal deviations.

Noise emission

Standards/regulations	EN 61000-6-4
-----------------------	--------------

Electrostatic discharge

Standards/regulations	EN 61000-4-2
-----------------------	--------------

Electrostatic discharge

Comments	Safety measures must be taken to prevent electrostatic discharge.
----------	---

Electromagnetic HF field

Designation	Electromagnetic RF field
Standards/regulations	EN 61000-4-3
Typical deviation from the measuring range final value	5 %

Fast transients (burst)

Designation	Fast transients (burst)
Standards/regulations	EN 61000-4-4
Typical deviation from the measuring range final value	5 %

Surge current load (surge)

Standards/regulations	EN 61000-4-5
-----------------------	--------------

Surge current load (surge)

Comments	Criterion B
----------	-------------

Conducted interference

Designation	Conducted interferences
Standards/regulations	EN 61000-4-6

MINI MCR-SL-UI-REL-SP - Limit value switch



2864493

<https://www.phoenixcontact.com/us/products/2864493>

Typical deviation from the measuring range final value	5 %
--	-----

Standards and regulations

Electrical isolation	Basic insulation in accordance with EN 61010
----------------------	--

Mounting

Mounting type	DIN rail mounting
Assembly note	The DIN rail connector can be used for bridging the supply voltage. It can be snapped onto a 35 mm EN 60715 DIN rail.
Mounting position	any

MINI MCR-SL-UI-REL-SP - Limit value switch



2864493

<https://www.phoenixcontact.com/us/products/2864493>

Drawings

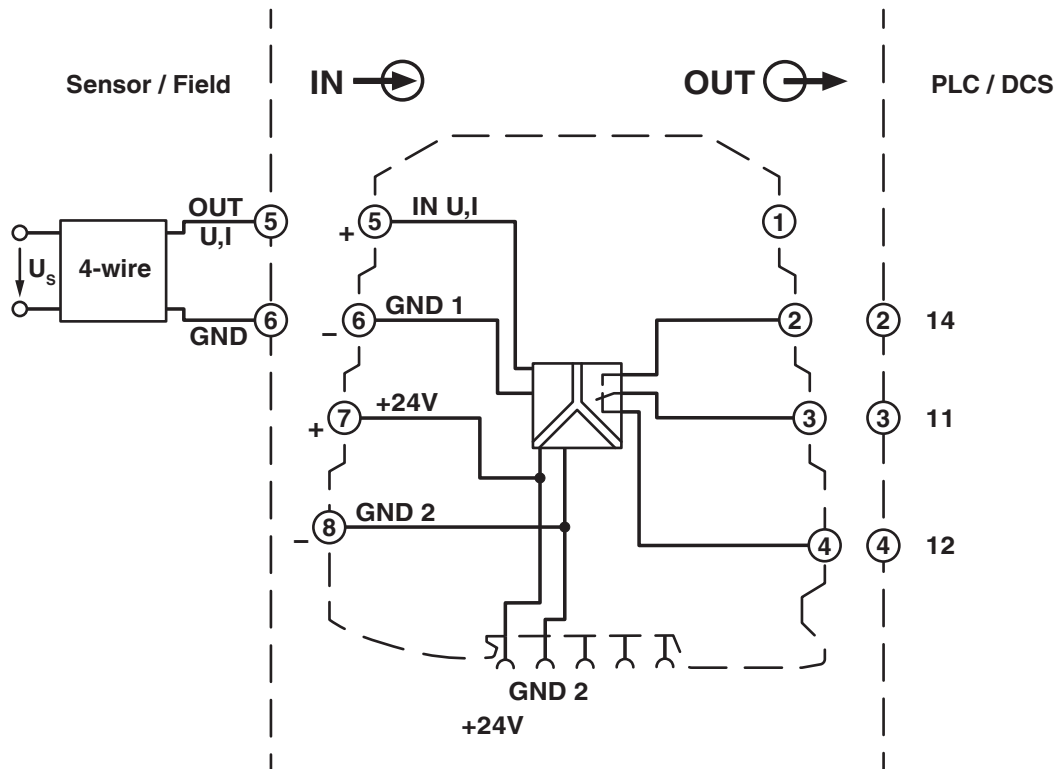


MINI MCR-SL-UI-REL-SP - Limit value switch

2864493

<https://www.phoenixcontact.com/us/products/2864493>

Block diagram



MINI MCR-SL-UI-REL-SP - Limit value switch



2864493

<https://www.phoenixcontact.com/us/products/2864493>

Environmental product compliance

China RoHS

Environment friendly use period (EFUP)	EFUP-50
	An article-related China RoHS declaration table can be found in the download area for the respective article under "Manufacturer declaration". For all articles with EFUP-E, no China RoHS declaration table issued and required.

EU REACH SVHC

REACH candidate substance (CAS No.)	No substance above 0.1 wt%
-------------------------------------	----------------------------

Phoenix Contact 2026 © - all rights reserved

<https://www.phoenixcontact.com>

Phoenix Contact USA
586 Fulling Mill Road
Middletown, PA 17057, United States
(+717) 944-1300
info@phoenixcon.com