

Current monitoring - MCR-SL-S- 16-SP- 24 - 2864464

Please be informed that the data shown in this PDF Document is generated from our Online Catalog. Please find the complete data in the user's documentation. Our General Terms of Use for Downloads are valid (<http://phoenixcontact.com/download>)




MCR current protector, for sinusoidal alternating currents 0 ... 16 A AC/ 1 changeover contact

Your advantages

- Adjustable switching hysteresis
- Relay changeover contact output
- 3-way isolation
- Adjustable operating/closed circuit current behavior
- Switching point can be freely selected in the measuring range of 0 16 A AC



Key Commercial Data

Packing unit	1 pc
GTIN	 4 017918 904456
GTIN	4017918904456

Technical data

Note

Utilization restriction	EMC: class A product, see manufacturer's declaration in the download area
-------------------------	---

Dimensions

Width	22.5 mm
Height	99 mm
Depth	114.5 mm

Ambient conditions

Ambient temperature (operation)	-20 °C ... 65 °C
Ambient temperature (storage/transport)	-40 °C ... 85 °C (non-condensing)
Maximum altitude	≤ 2000 m

Current monitoring - MCR-SL-S- 16-SP- 24 - 2864464

Technical data

Ambient conditions

Permissible humidity (operation)	10 % ... 95 % (non-condensing)
Degree of protection	IP20
Noise immunity	EN 61000-6-2 When being exposed to interference, there may be minimal deviations.

Input data

Input current range	0 A AC ... 16 A AC (Permitted continuous overload: 120%)
Impulse form	Sine
Overload capacity	2 x I _N (continuous)
Nominal frequency f _N	50 Hz
	60 Hz
Frequency measuring range	45 Hz ... 65 Hz

Switching output

Output name	Relay output
Contact type	1 changeover contact
Contact material	AgSnO, hard gold-plated
Maximum switching voltage	30 V AC
	36 V DC
	250 V AC (when the gold layer is destroyed)
Limiting continuous current	50 mA (for gold layer, 30 V AC/ 36 V DC)
	2 A (in case of a destroyed gold layer, 250 V AC)
Setting range of the response delay	typ. 0.1 s ... 10 s (Adjustable using a potentiometer)

Power supply

Supply voltage range	20 V DC ... 30 V DC
Max. current consumption	< 30 mA

Connection data

Connection method	Screw connection
Stripping length	8 mm
Screw thread	M3
Conductor cross section solid	0.2 mm ² ... 2.5 mm ²
Conductor cross section flexible	0.2 mm ² ... 2.5 mm ²
Conductor cross section AWG	24 ... 14

General

Total error	≤ 1.4 % (Temperature range)
Maximum temperature coefficient	< 0.02 %/K
Measuring category	III
Step response (10-90%)	40 ms
Protective circuit	Surge protection 33 V suppressor diode
Rated insulation voltage	300 V AC (to earth)
Test voltage input/output	3.5 kV (50 Hz, 1 min.)

Current monitoring - MCR-SL-S- 16-SP- 24 - 2864464

Technical data

General

Test voltage input/power supply	3.5 kV (50 Hz, 1 min.)
Electromagnetic compatibility	Conformance with EMC directive
Noise emission	EN 61000-6-4
Noise immunity	EN 61000-6-2 When being exposed to interference, there may be minimal deviations.
Housing material	Polyamide PA non-reinforced
Mounting position	any

Standards and Regulations

Electromagnetic compatibility	Conformance with EMC directive
Noise emission	EN 61000-6-4
Standards/regulations	IEC 61010-2-030
Pollution degree	2
Overvoltage category	III

Conformance/approvals

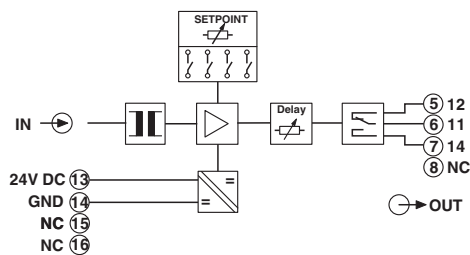
Designation	CE
Certificate	CE-compliant

Environmental Product Compliance

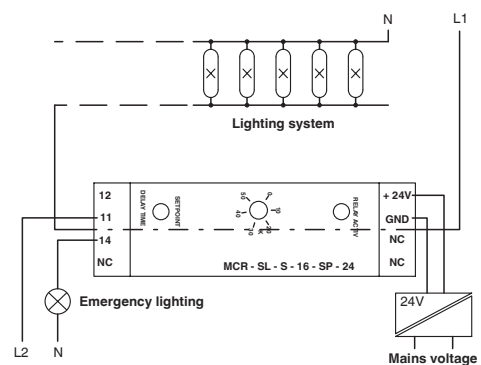
REACH SVHC	Lead 7439-92-1
China RoHS	Environmentally Friendly Use Period = 50 years
	For details about hazardous substances go to tab "Downloads", Category "Manufacturer's declaration"

Drawings

Circuit diagram



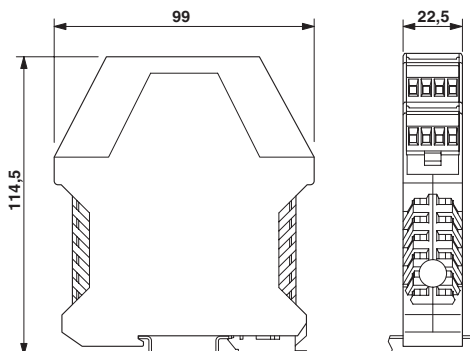
Application drawing



Lighting system with emergency lighting

Current monitoring - MCR-SL-S- 16-SP- 24 - 2864464

Dimensional drawing



Classifications

eCl@ss

eCl@ss 10.0.1	27371802
eCl@ss 11.0	27371802
eCl@ss 4.0	27210900
eCl@ss 4.1	27210900
eCl@ss 5.0	27371800
eCl@ss 5.1	27210900
eCl@ss 6.0	27371800
eCl@ss 7.0	27371802
eCl@ss 9.0	27371802

ETIM

ETIM 2.0	EC001440
ETIM 3.0	EC001440
ETIM 4.0	EC001440
ETIM 6.0	EC001440
ETIM 7.0	EC001440

UNSPSC

UNSPSC 6.01	30211916
UNSPSC 7.0901	39121535
UNSPSC 11	39121535
UNSPSC 12.01	39121535
UNSPSC 13.2	41113637
UNSPSC 18.0	41113637
UNSPSC 19.0	41113637
UNSPSC 20.0	41113637
UNSPSC 21.0	41113637

Current monitoring - MCR-SL-S- 16-SP- 24 - 2864464

Approvals





Approvals

Approvals

UL Recognized / cUL Recognized / EAC / cULus Recognized

Ex Approvals

Approval details

UL Recognized		http://database.ul.com/cgi-bin/XYV/template/LISEXT/1FRAME/index.htm	FILE E 238705
cUL Recognized		http://database.ul.com/cgi-bin/XYV/template/LISEXT/1FRAME/index.htm	FILE E 238705
EAC			RU*DE.*08.B.01852-19
cULus Recognized			

Phoenix Contact 2022 © - all rights reserved
<http://www.phoenixcontact.com>

PHOENIX CONTACT GmbH & Co. KG
Flachsmarktstr. 8
32825 Blomberg
Germany
Tel. +49 5235 300
Fax +49 5235 3 41200
<http://www.phoenixcontact.com>