

# MINI MCR-SL-PT100-UI-200-NC - Temperature measuring transducer



2864370

<https://www.phoenixcontact.com/us/products/2864370>

Please be informed that the data shown in this PDF document is generated from our online catalog. Please find the complete data in the user documentation. Our general terms of use for downloads are valid.



MCR temperature transducer, configurable, for Pt 100 temperature sensors, with screw-connection, not configured

## Your advantages

- Power supply possible via the foot element (TBUS)
- Optimized temperature measuring range of  $-50^{\circ}\text{C}$  to  $+200^{\circ}\text{C}$  for increased accuracy
- For 2-, 3-, 4-conductor Pt 100 sensors in accordance with IEC 60751
- Error indication via diagnostic LED and analog signal
- Pt 100 signals to create standard signals
- 3-way isolation
- Highly-compact temperature transducer for electrical isolation, conversion, amplification, and filtering of
- Input and output signals can be configured via DIP switches

## Commercial data

Item number	2864370
Packing unit	1 pc
Minimum order quantity	1 pc
Sales key	C403
Product key	DK1135
GTIN	4046356046480
Weight per piece (including packing)	97.6 g
Weight per piece (excluding packing)	58.57 g
Customs tariff number	85437090
Country of origin	DE

# MINI MCR-SL-PT100-UI-200-NC - Temperature measuring transducer



2864370

<https://www.phoenixcontact.com/us/products/2864370>

## Technical data

### Notes

#### Utilization restriction

EMC note	EMC: class A product, see manufacturer's declaration in the download area
----------	---

### Product properties

Product type	Temperature transmitter
Product family	MINI Analog
Configuration	DIP switches

### System properties

#### Functionality

Configuration	DIP switches
---------------	--------------

### Electrical properties

Electrical isolation	3-way isolation
Electrical isolation between input and output	yes
Maximum power dissipation for nominal condition	235.5 mW
Protective circuit	Transient protection
Step response (0–99%)	< 200 ms
Maximum temperature coefficient	< 0.02 %/K
Transmission error in the set measuring range	$((50 \text{ K} / \Delta \text{ Temp}) + 0.05)\%$
Transmission error in the full measuring range	$\leq 0.25 \%$

#### Electrical isolation

Overvoltage category	II
Pollution degree	2

#### Electrical isolation Input/output/power supply IEC/EN 61010

Standards/regulations	IEC/EN 61010
Rated insulation voltage	50 V AC/DC
Test voltage	1.5 kV AC (50 Hz, 60 s)
Insulation	Basic insulation

#### Supply

Nominal supply voltage	24 V DC
Supply voltage range	19.2 V DC ... 30 V DC (The DIN rail connector (ME 6,2 TBUS-2 1,5/5-ST-3,81 GN, item no. 2869728) can be used to bridge the supply voltage. It can be snapped onto a 35 mm DIN rail in accordance with EN 60715)
Max. current consumption	< 21 mA (at 24 V DC)
Power consumption	< 500 mW

# MINI MCR-SL-PT100-UI-200-NC - Temperature measuring transducer



2864370

<https://www.phoenixcontact.com/us/products/2864370>

## Input data

### Signal




Number of inputs	1
------------------	---

### Measurement

Sensor types (RTD) that can be used	Pt 100 (IEC 60751/EN 60751)
Temperature measuring range	min. 50 K
Temperature measuring range: Pt 100	-50 °C ... 200 °C (configurable)
Sensor input current	1 mA (constant)
Max. permissible overall conductor resistance	10 Ω (Per cable)
Connection technology	2-, 3-, 4-conductor

## Output data

### Signal: Voltage/current

Number of outputs	1
Configurable/programmable	Yes
Voltage output signal	0 V ... 5 V
	1 V ... 5 V
	0 V ... 10 V
	10 V ... 0 V
Max. voltage output signal	≈  V
Open-circuit voltage	≈  V
Current output signal	0 mA ... 20 mA
	4 mA ... 20 mA
	20 mA ... 0 mA
	20 mA ... 4 mA
Max. current output signal	23 mA
Short-circuit current	≈  mA
Load/output load voltage output	> 10 kΩ
Load/output load current output	< 500 Ω (at 20 mA)
Ripple	< 20 mV <sub>PP</sub> (at 500 Ω)
	< 20 mV <sub>PP</sub> (at 10 kΩ)

## Connection data

Connection method	Screw connection
Stripping length	12 mm
Screw thread	M3
Conductor cross-section rigid	0.2 mm <sup>2</sup> ... 2.5 mm <sup>2</sup>
Conductor cross-section flexible	0.2 mm <sup>2</sup> ... 2.5 mm <sup>2</sup>
Conductor cross-section AWG	26 ... 12

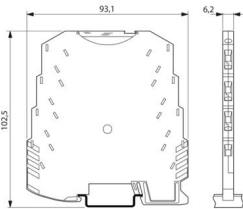
## Dimensions

# MINI MCR-SL-PT100-UI-200-NC - Temperature measuring transducer



2864370

<https://www.phoenixcontact.com/us/products/2864370>

Dimensional drawing	
Width	6.2 mm
Height	93.1 mm
Depth	101.2 mm

## Material specifications

Color	green (RAL 6021)
Housing material	PBT
Fire protection for rail vehicles (DIN EN 45545-2) R22	HL 1 - HL 2
Fire protection for rail vehicles (DIN EN 45545-2) R23	HL 1 - HL 2
Fire protection for rail vehicles (DIN EN 45545-2) R24	HL 1 - HL 2

## Environmental and real-life conditions

### Ambient conditions

Degree of protection	IP20
Ambient temperature (operation)	-20 °C ... 65 °C
Ambient temperature (storage/transport)	-40 °C ... 85 °C
Altitude	≤ 2000 m
Permissible humidity (operation)	5 % ... 95 % (non-condensing)

## Approvals

### CE

Certificate	CE-compliant
-------------	--------------

### UL, USA/Canada

Identification	UL 508 Recognized
	Class I, Div. 2, Groups A, B, C, D T5

## EMC data

Electromagnetic compatibility	Conformance with EMC directive
Noise immunity	EN 61000-6-2
Note	When being exposed to interference, there may be minimal deviations.

### Noise emission

Standards/regulations	EN 61000-6-4
-----------------------	--------------

### Electrostatic discharge

# MINI MCR-SL-PT100-UI-200-NC - Temperature measuring transducer



2864370

<https://www.phoenixcontact.com/us/products/2864370>

Standards/regulations	EN 61000-4-2
-----------------------	--------------

## Electrostatic discharge

Comments	Safety measures must be taken to prevent electrostatic discharge.
----------	---

## Electromagnetic HF field

Designation	Electromagnetic RF field
Standards/regulations	EN 61000-4-3
Typical deviation from the measuring range final value	10 %

## Fast transients (burst)

Designation	Fast transients (burst)
Standards/regulations	EN 61000-4-4
Typical deviation from the measuring range final value	10 %

## Surge current load (surge)

Standards/regulations	EN 61000-4-5
-----------------------	--------------

## Surge current load (surge)

Comments	Criterion B
----------	-------------

## Conducted interference

Designation	Conducted interferences
Standards/regulations	EN 61000-4-6
Typical deviation from the measuring range final value	10 %

## Standards and regulations

Electrical isolation	3-way isolation
----------------------	-----------------

## Mounting

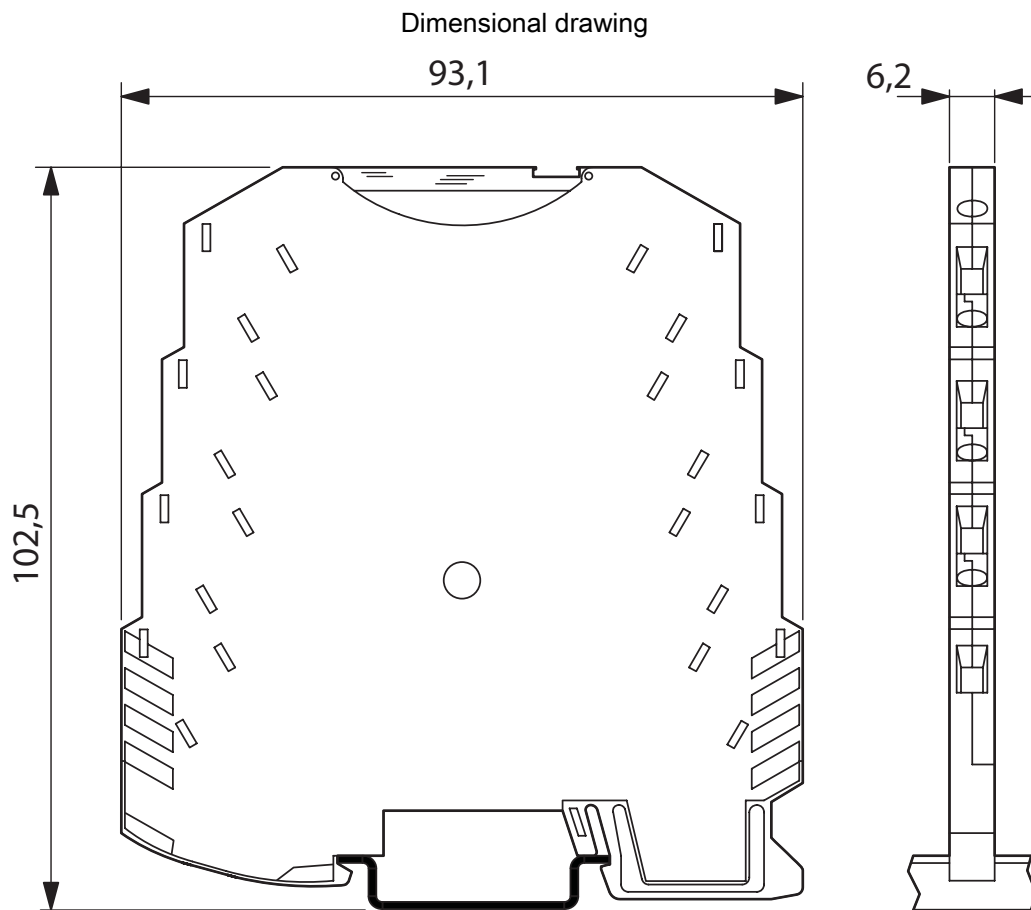
Mounting type	DIN rail mounting
Mounting position	any

# MINI MCR-SL-PT100-UI-200-NC - Temperature measuring transducer

2864370

<https://www.phoenixcontact.com/us/products/2864370>

## Drawings

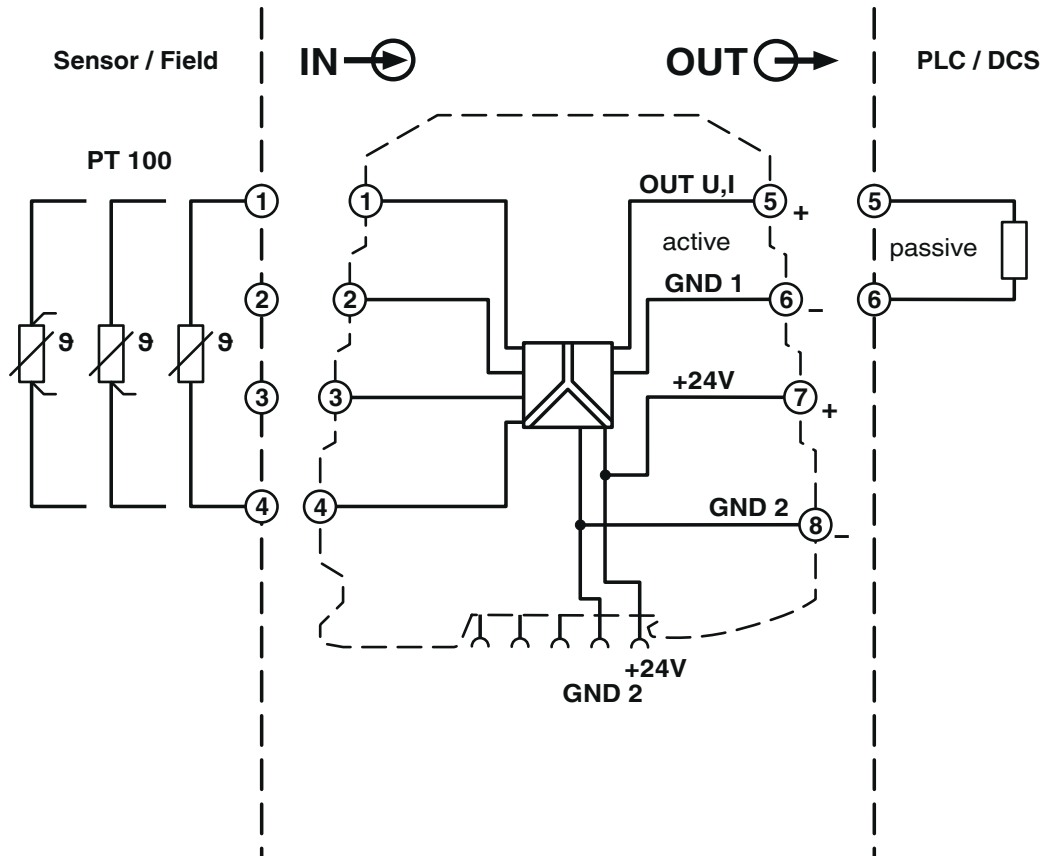


# MINI MCR-SL-PT100-UI-200-NC - Temperature measuring transducer

2864370

<https://www.phoenixcontact.com/us/products/2864370>

Block diagram



# MINI MCR-SL-PT100-UI-200-NC - Temperature measuring transducer



2864370

<https://www.phoenixcontact.com/us/products/2864370>

## Approvals

To download certificates, visit the product detail page: <https://www.phoenixcontact.com/us/products/2864370>



**cUL Recognized**  
Approval ID: E238705



**UL Recognized**  
Approval ID: E238705



**cUL Listed**  
Approval ID: E199827



**UL Listed**  
Approval ID: E199827

# MINI MCR-SL-PT100-UI-200-NC - Temperature measuring transducer



2864370

<https://www.phoenixcontact.com/us/products/2864370>

## Classifications

### ECLASS

ECLASS-13.0	27210129
ECLASS-15.0	27210129

### ETIM

ETIM 10.0	EC002919
-----------	----------

### UNSPSC

UNSPSC 21.0	41112100
-------------	----------

# MINI MCR-SL-PT100-UI-200-NC - Temperature measuring transducer



2864370

<https://www.phoenixcontact.com/us/products/2864370>

## Environmental product compliance

### EU RoHS

Fulfills EU RoHS substance requirements	Yes
Exemption	7(a), 7(c)-I

### China RoHS

Environment friendly use period (EFUP)	EFUP-50
	An article-related China RoHS declaration table can be found in the download area for the respective article under "Manufacturer declaration". For all articles with EFUP-E, no China RoHS declaration table issued and required.

### EU REACH SVHC

REACH candidate substance (CAS No.)	Lead(CAS: 7439-92-1)
SCIP	f6907ea8-b097-4e94-b902-511f0e9879ab

### EF3.1 Climate Change

CO2e kg	5.48 kg CO2e
---------	--------------

Phoenix Contact 2026 © - all rights reserved  
<https://www.phoenixcontact.com>

Phoenix Contact USA  
586 Fulling Mill Road  
Middletown, PA 17057, United States  
(+717) 944-1300  
[info@phoenixcon.com](mailto:info@phoenixcon.com)