

# FLT-CP-3S-350 - Type 1+2 special combined lightning current and surge arrester



2859712

<https://www.phoenixcontact.com/us/products/2859712>

Please be informed that the data shown in this PDF document is generated from our online catalog. Please find the complete data in the user documentation. Our general terms of use for downloads are valid.



Pluggable lightning current and surge arrester combination, in acc. with typ 1+2 / Class I+II / B+C arresters. Arresters coordinated following the AEC principle, for 3-phase power supply networks with separately installed PE and N (L1, L2, L3, PE, N).

## Commercial data

Item number	2859712
Packing unit	1 pc
Note	Made to order (non-returnable)
Sales key	CL01
Product key	CL1211
GTIN	4017918956431
Weight per piece (including packing)	1,484.7 g
Weight per piece (excluding packing)	1,456.91 g
Customs tariff number	85363030
Country of origin	DE

# FLT-CP-3S-350 - Type 1+2 special combined lightning current and surge arrester



2859712

<https://www.phoenixcontact.com/us/products/2859712>

## Technical data

### Product properties

Product type	Arrester combination
IEC test classification	I + II
	T1 + T2
EN type	T1 + T2
IEC power supply system	TN-S
	TT
Type	DIN rail module, two-section, divisible
Number of positions	4
Surge protection fault message	Optical, remote indicator contact
Arrester can be tested with CHECKMASTER from software version:	From SW rev. 3.00
Number of ports	One

### Insulation characteristics

Overvoltage category	III
Pollution degree	2

### Electrical properties

Nominal frequency $f_N$	50 Hz (60 Hz)
-------------------------	---------------

### Indicator/remote signaling

Connection name	Remote fault indicator contact
Switching function	Changeover contact
Operating voltage	12 V AC ... 250 V AC
	125 V DC (200 mA DC)
Operating current	10 mA AC ... 1 A AC
	1 A DC (30 V DC)

### Connection data

Connection method	Screw terminal blocks
Screw thread	M5
Tightening torque	4.5 Nm
Stripping length	18 mm
Conductor cross-section flexible	2.5 mm <sup>2</sup> ... 25 mm <sup>2</sup>
Conductor cross-section rigid	2.5 mm <sup>2</sup> ... 35 mm <sup>2</sup>
Conductor cross-section AWG	13 ... 2

### Remote fault indicator contact

Connection method	Plug-in/screw connection via COMBICON
Screw thread	M2
Tightening torque	0.25 Nm

# FLT-CP-3S-350 - Type 1+2 special combined lightning current and surge arrester



2859712

<https://www.phoenixcontact.com/us/products/2859712>

Stripping length	7 mm
Conductor cross-section flexible	0.14 mm <sup>2</sup> ... 1.5 mm <sup>2</sup>
Conductor cross-section rigid	0.14 mm <sup>2</sup> ... 1.5 mm <sup>2</sup>
Conductor cross-section AWG	28 ... 16

## Dimensions

Dimensional drawing	
Width	142.4 mm
Height	95 mm
Depth	71.5 mm
Horizontal pitch	8 Div.

## Material specifications

Flammability rating according to UL 94	V-0
CTI value of material	600
Insulating material	PA 6.6/PBT
Material group	I
Housing material	PBT

## Mechanical properties

### Mechanical data

Open side panel	No
-----------------	----

## Protective circuit

Mode of protection	L-N
	L-PE
	N-PE
Direction of action	3L-N & N-PE
Nominal voltage $U_N$	240/415 V AC (TN-S)
	240/415 V AC (TT)
Nominal frequency $f_N$	50 Hz (60 Hz)
Maximum continuous operating voltage $U_C$ (L-N)	350 V AC
Maximum continuous operating voltage $U_C$ (N-PE)	350 V AC
Rated load current $I_L$	125 A (< 55 °C)
Protective conductor current $I_{PE}$	≤ 0.01 mA
Standby power consumption $P_C$	≤ 300 mVA
Nominal discharge current $I_n$ (8/20) μs (L-N)	25 kA
Nominal discharge current $I_n$ (8/20) μs (L-PE)	25 kA

# FLT-CP-3S-350 - Type 1+2 special combined lightning current and surge arrester



2859712

<https://www.phoenixcontact.com/us/products/2859712>

Nominal discharge current $I_n$ (8/20) $\mu$ s (N-PE)	100 kA
Impulse discharge current (10/350) $\mu$ s (L-N), charge	12.5 As
Impulse discharge current (10/350) $\mu$ s (L-N), specific energy	160 kJ/ $\Omega$
Impulse discharge current (10/350) $\mu$ s (L-N), peak current value $I_{imp}$	25 kA
Impulse discharge current (10/350) $\mu$ s (L-PE), charge	12.5 As
Impulse discharge current (10/350) $\mu$ s (L-PE), specific energy	160 kJ/ $\Omega$
Impulse discharge current (10/350) $\mu$ s (L-PE), peak current value $I_{imp}$	25 kA
Impulse discharge current (10/350) $\mu$ s (N-PE), charge	50 As
Impulse discharge current (10/350) $\mu$ s (N-PE), specific energy	2500 kJ/ $\Omega$
Impulse discharge current (10/350) $\mu$ s (N-PE), peak current value $I_{imp}$	100 kA
Follow current quenching capacity $I_{fi}$ (L-N)	25 kA (264 V AC)
	3 kA (350 V AC)
Follow current interrupt rating $I_{fi}$ (N-PE)	100 A (350 V AC)
Short-circuit current rating $I_{SCCR}$	25 kA (264 V AC)
	3 kA (350 V AC)
Voltage protection level $U_p$ (L-N)	$\leq 1.5$ kV
Voltage protection level $U_p$ (L-PE)	$\leq 2.2$ kV
Voltage protection level $U_p$ (N-PE)	$\leq 1.5$ kV
Residual voltage $U_{res}$ (L-N)	$\leq 1.5$ kV (at $I_n$ )
	$\leq 1.2$ kV (at 10 kA)
	$\leq 1$ kV (at 5 kA)
	$\leq 0.9$ kV (at 3 kA)
Residual voltage $U_{res}$ (L-PE)	$\leq 2.2$ kV (at $I_n$ )
	$\leq 2$ kV (at 10 kA)
	$\leq 1.8$ kV (at 5 kA)
	$\leq 1.6$ kV (at 3 kA)
Residual voltage $U_{res}$ (N-PE)	$\leq 1.5$ kV (at $I_n$ )
	$\leq 1$ kV (at 10 kA)
	$\leq 0.9$ kV (at 5 kA)
	$\leq 0.8$ kV (at 3 kA)
TOV behavior at $U_T$ (L-N)	415 V AC (5 s / withstand mode)
	457 V AC (120 min / safe failure mode)
TOV behavior at $U_T$ (N-PE)	1200 V AC (200 ms / withstand mode)
Response time $t_A$ (L-N)	$\leq 25$ ns
Response time $t_A$ (N-PE)	$\leq 100$ ns
Max. backup fuse with V-type through wiring	125 A (gG)
Max. backup fuse with branch wiring	315 A (gG)

## Environmental and real-life conditions

Ambient conditions

# FLT-CP-3S-350 - Type 1+2 special combined lightning current and surge arrester



2859712

<https://www.phoenixcontact.com/us/products/2859712>

Degree of protection	IP20 (only when all terminal points are used)
Ambient temperature (operation)	-40 °C ... 80 °C
Ambient temperature (storage/transport)	-40 °C ... 80 °C
Altitude	≤ 2000 m (amsl)
Permissible humidity (operation)	5 % ... 95 %
Shock (operation)	25g (Half-sine / 11 ms / 3x ±X, ±Y, ±Z)
Vibration (operation)	5g (5 - 500 Hz/2.5 h/X, Y, Z)

## Approvals

### UL specifications

Maximum continuous operating voltage MCOV (L-L)	528 V AC
Maximum continuous operating voltage MCOV (L-N)	264 V AC
Maximum continuous operating voltage MCOV (L-G)	528 V AC
Maximum continuous operating voltage MCOV (N-G)	264 V AC
Nominal discharge current $I_n$ (L-L)	20 kA
Nominal discharge current $I_n$ (L-N)	20 kA
Nominal discharge current $I_n$ (L-G)	20 kA
Nominal discharge current $I_n$ (N-G)	20 kA
Mode of protection	L-L L-N L-G N-G
Nominal voltage	240/415 V AC
Power distribution system	Wye
Nominal frequency	50/60 Hz
Measured limiting voltage MLV (L-L)	2470 V
Measured limiting voltage MLV (L-N)	1340 V
Measured limiting voltage MLV (L-G)	1550 V
Measured limiting voltage MLV (N-G)	1080 V
Follow current (L-N)	10 kA (264 V AC)
Follow current (L-G)	200 A (264 V AC)
SPD Type	4CA

### UL indicator/remote signaling

Operating voltage	125 V AC
AC operating current	1 A AC

### UL connection data

Tightening torque	40 lb <sub>f</sub> -in.
Conductor cross-section AWG	12 ... 2

## Standards and regulations

### Air clearances and creepage distances

# FLT-CP-3S-350 - Type 1+2 special combined lightning current and surge arrester



2859712

<https://www.phoenixcontact.com/us/products/2859712>

Standards/regulations	DIN VDE 0110-1 / IEC 60664-1 / IEC 61643-1
Standards/specifications	IEC 61643-11
Note	2011
Standards/specifications	EN 61643-11
Note	2012

## Mounting

Mounting type	DIN rail: 35 mm
---------------	-----------------

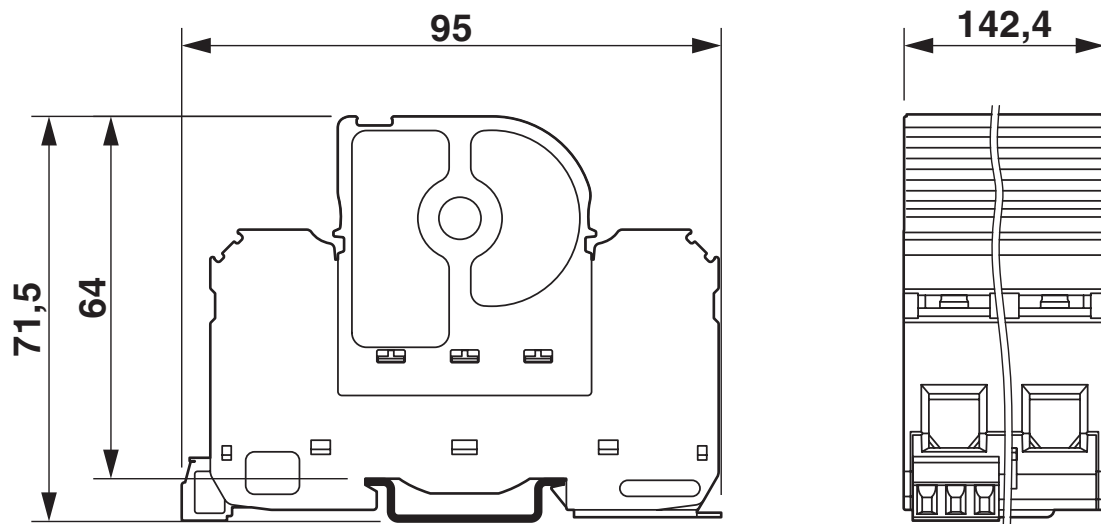
# FLT-CP-3S-350 - Type 1+2 special combined lightning current and surge arrester

2859712

<https://www.phoenixcontact.com/us/products/2859712>

## Drawings

Dimensional drawing



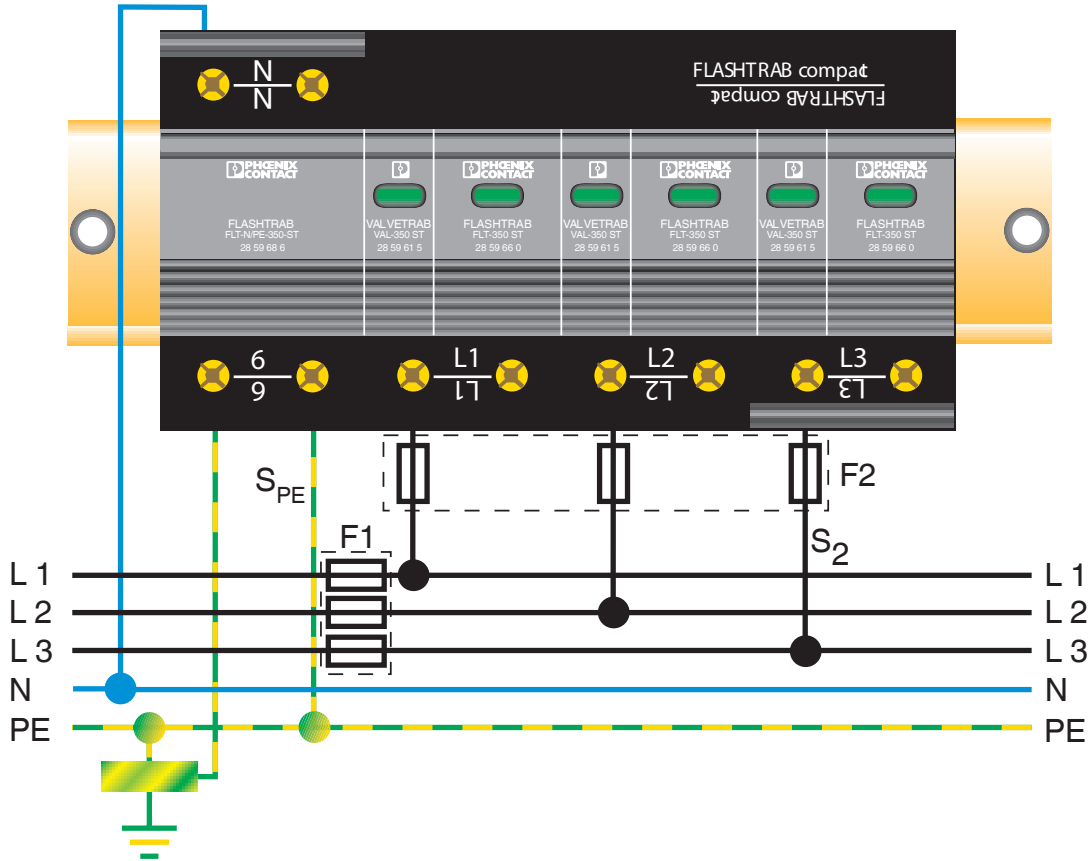
# FLT-CP-3S-350 - Type 1+2 special combined lightning current and surge arrester



2859712

<https://www.phoenixcontact.com/us/products/2859712>

Application drawing



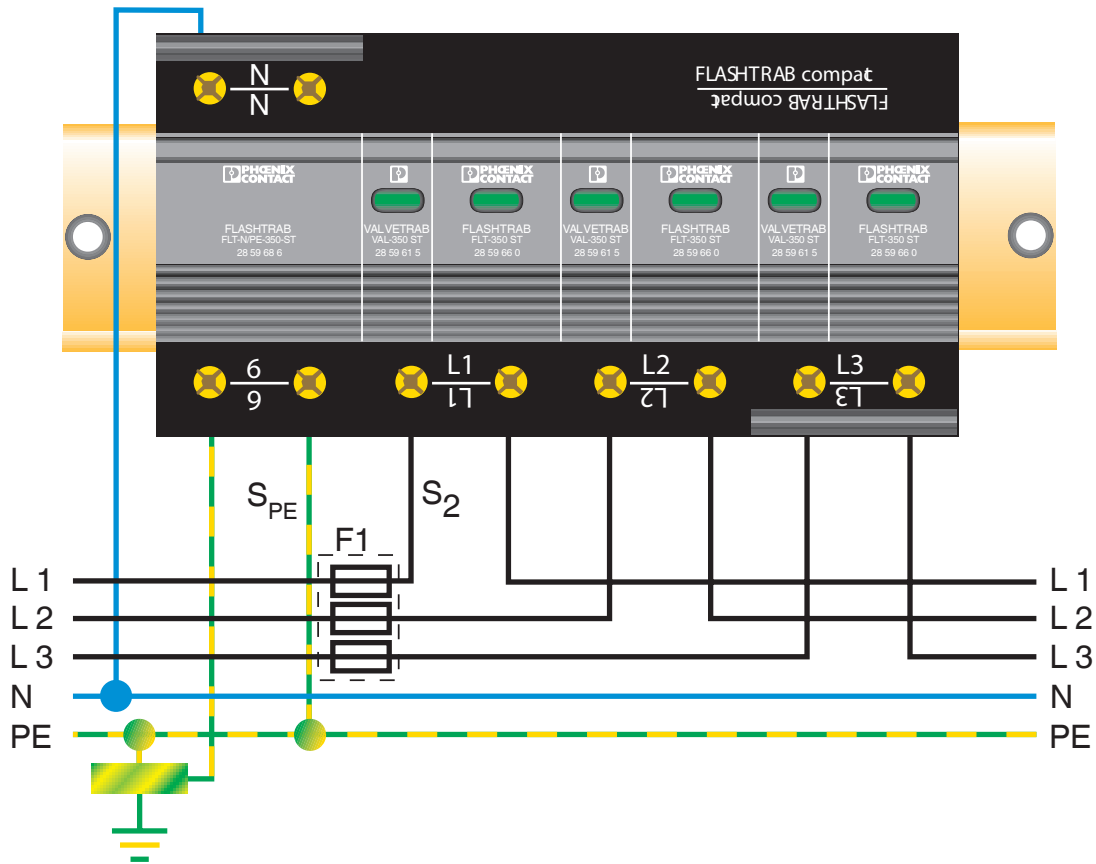
Connection in the line

# FLT-CP-3S-350 - Type 1+2 special combined lightning current and surge arrester

2859712

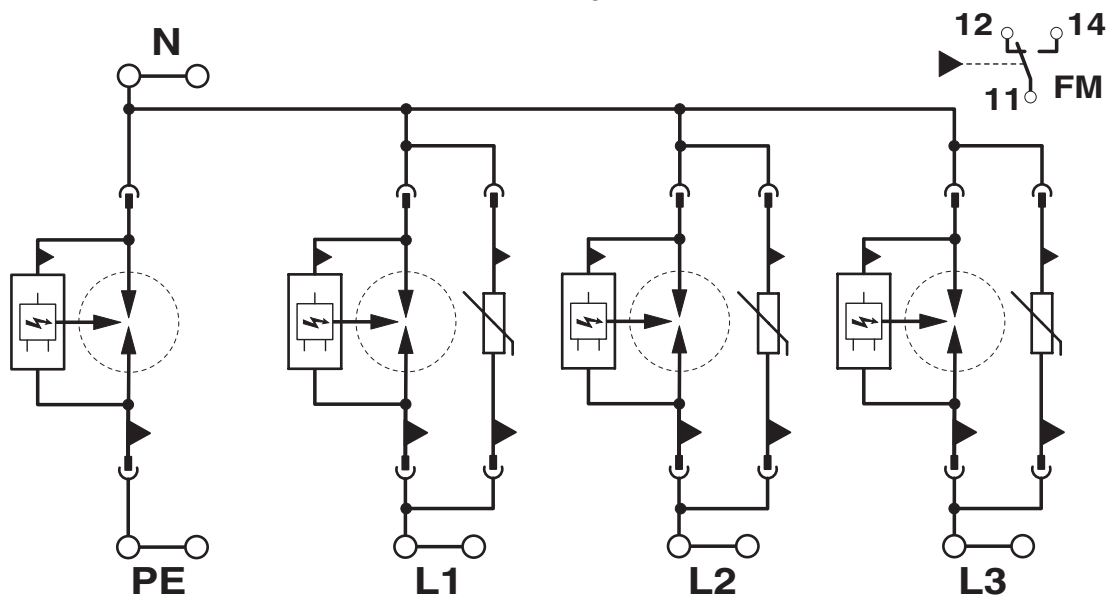
<https://www.phoenixcontact.com/us/products/2859712>

Application drawing



V wiring connection

Circuit diagram



# FLT-CP-3S-350 - Type 1+2 special combined lightning current and surge arrester



2859712

<https://www.phoenixcontact.com/us/products/2859712>

## Environmental product compliance

### China RoHS

Environment friendly use period (EFUP)	EFUP-50
	An article-related China RoHS declaration table can be found in the download area for the respective article under "Manufacturer declaration". For all articles with EFUP-E, no China RoHS declaration table issued and required.

### EU REACH SVHC

REACH candidate substance (CAS No.)	No substance above 0.1 wt%
-------------------------------------	----------------------------

Phoenix Contact 2026 © - all rights reserved  
<https://www.phoenixcontact.com>

Phoenix Contact USA  
586 Fulling Mill Road  
Middletown, PA 17057, United States  
(+717) 944-1300  
[info@phoenixcon.com](mailto:info@phoenixcon.com)