

IEG D-17,5 MKDSO - Electronics housing



2854225

<https://www.phoenixcontact.com/us/products/2854225>

Please be informed that the data shown in this PDF document is generated from our online catalog. Please find the complete data in the user documentation. Our general terms of use for downloads are valid.



Electronic housing for distribution boards, double-level, for insertion of a p.c.b.

The figure shows a combination of versions IEG 17,5 MKDSO, IEG 22,5 MKDSO and IEG 35 MKDSO

Commercial data

Item number	2854225
Packing unit	1 pc
Note	Made to order (non-returnable)
Sales key	AC11
Product key	ACHCAG
GTIN	4017918190248
Weight per piece (including packing)	28.9 g
Weight per piece (excluding packing)	28.17 g
Customs tariff number	85369085
Country of origin	DE

2854225

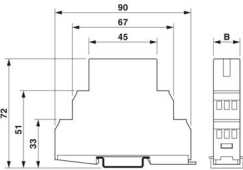
<https://www.phoenixcontact.com/us/products/2854225>

Technical data

Product properties

Housing type	Complete housing
Type	Closed housing
Number of positions	12

Dimensions

Dimensional drawing	
Width	17.5 mm
Height NS 35/7,5	72 mm
Depth	90 mm
Length	90 mm

Material specifications

Color	light gray
Flammability rating according to UL 94	V0
Housing material	Polycarbonate fiber reinforced

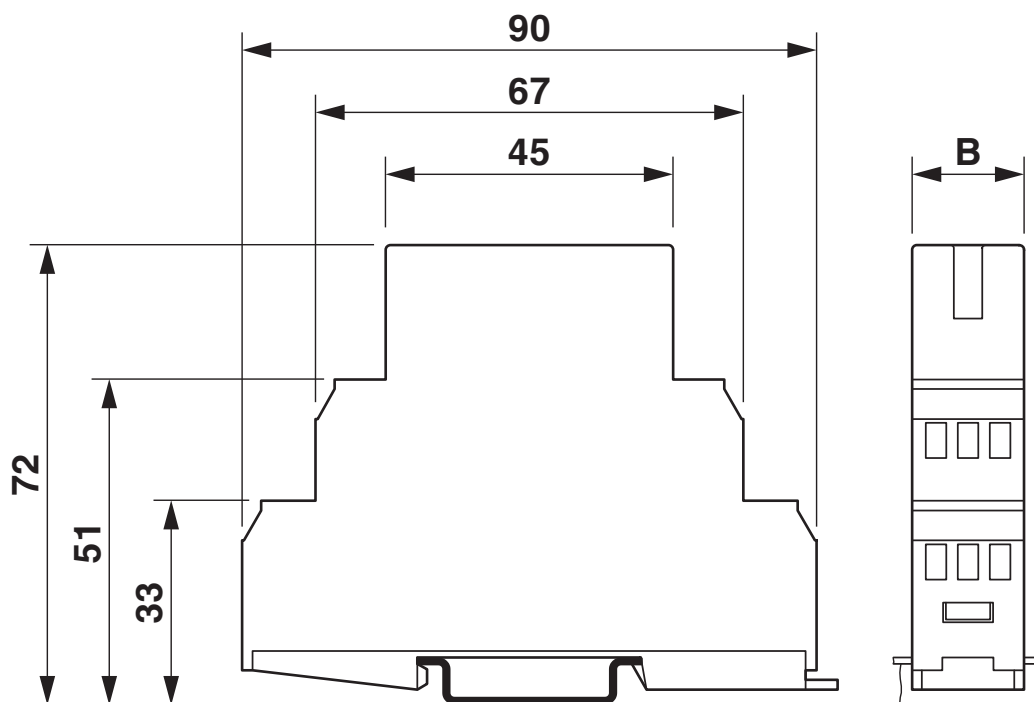
Environmental and real-life conditions

Ambient conditions

Ambient temperature (operation)	-40 °C ... 125 °C
---------------------------------	-------------------

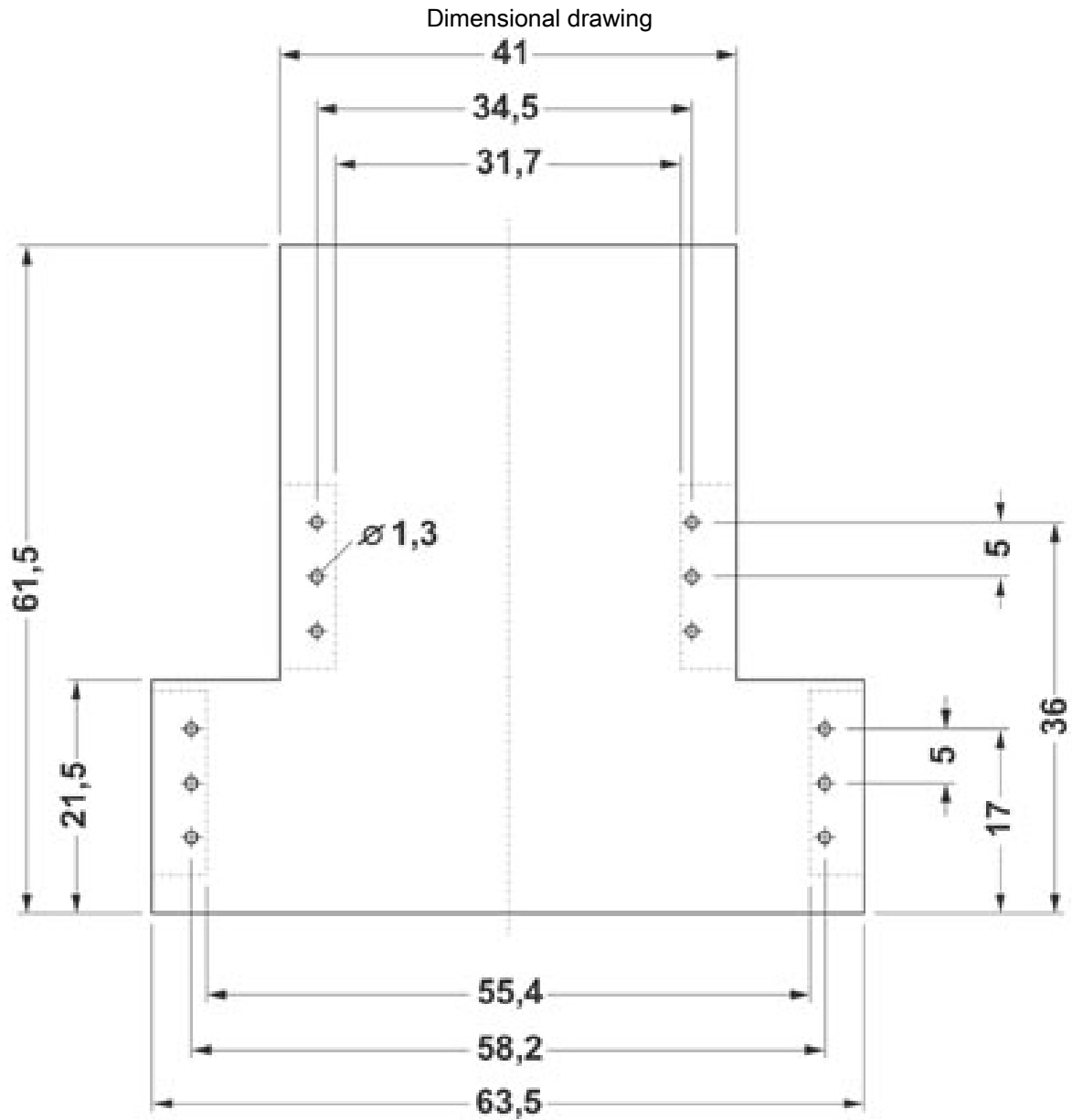
Drawings

Dimensional drawing



2854225

<https://www.phoenixcontact.com/us/products/2854225>



Dimensional drawing of the IEG D-17,5/35 (3-pos.) PCBs

IEG D-17,5 MKDSO - Electronics housing



2854225

<https://www.phoenixcontact.com/us/products/2854225>

Environmental product compliance

EU REACH SVHC

REACH candidate substance (CAS No.)	
-------------------------------------	--

	No substance above 0.1 wt%
--	----------------------------

Phoenix Contact 2026 © - all rights reserved

<https://www.phoenixcontact.com>

Phoenix Contact USA
586 Fulling Mill Road
Middletown, PA 17057, United States
(+717) 944-1300
info@phoenixcon.com