

PR1-RSC3-LV-230AC/2X21 - Relay module



2834517

<https://www.phoenixcontact.com/us/products/2834517>

Please be informed that the data shown in this PDF document is generated from our online catalog. Please find the complete data in the user documentation. Our general terms of use for downloads are valid.



Pre-assembled relay modules with screw connection, consisting of: relay base, plug-in miniature power relay with power contacts, plug-in display/interference suppression module, and relay retaining bracket. Input voltage: 230 V AC, contacts: 2 changeover contacts, 8 A

Your advantages

- Safe isolation between coil and contact side
- Logical contact arrangement thanks to 1/3-level relay base
- Operational reliability thanks to sealed relay

Commercial data

| | |
|--------------------------------------|--------------------------------|
| Item number | 2834517 |
| Packing unit | 1 pc |
| Note | Made to order (non-returnable) |
| Sales key | C463 |
| Product key | DK6319 |
| GTIN | 4046356044400 |
| Weight per piece (including packing) | 70.38 g |
| Weight per piece (excluding packing) | 65.9 g |
| Customs tariff number | 85364900 |
| Country of origin | CN |

PR1-RSC3-LV-230AC/2X21 - Relay module

2834517

<https://www.phoenixcontact.com/us/products/2834517>

Set consists of

PR1-BSC3/2X21 - Relay base

2833521

<https://www.phoenixcontact.com/us/products/2833521>

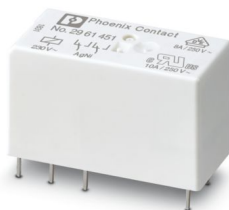


PR1... relay base, for miniature power relays or miniature switching relays with 1 or 2 changeover contacts or solid-state relays of the same design, 1/3-level version, screw connections, plug-in option for input/interference suppression modules

REL-MR-230AC/21-21 - Single relay

2961451

<https://www.phoenixcontact.com/us/products/2961451>



Plug-in miniature power relay, with power contact, 2 changeover contacts, input voltage 230 V AC

PR1-RSC3-LV-230AC/2X21 - Relay module

2834517

<https://www.phoenixcontact.com/us/products/2834517>



LV-120-230AC/110DC - Plug-in module

2833738

<https://www.phoenixcontact.com/us/products/2833738>



Plug-in module, with varistor and yellow LED, input voltage: 120 ... 230 V AC / 110 V DC \pm 20 %

EL1-P16 - Retaining bracket

2833547

<https://www.phoenixcontact.com/us/products/2833547>



Relay retaining bracket, with eject function and integrated equipment marking area (7.5 x 15 mm), to suit relay base PR1, for 16 mm high miniature power relay and solid-state relay

PR1-RSC3-LV-230AC/2X21 - Relay module



2834517

<https://www.phoenixcontact.com/us/products/2834517>

MP 1 - Marker labels

2833631

<https://www.phoenixcontact.com/us/products/2833631>

Equipment marker, labeling surface 6 x 15 mm



Technical data

Product properties

| | |
|-------------------------|---------------------------|
| Product type | Relay Module |
| Application | Universal |
| Operating mode | 100% operating factor |
| Mechanical service life | 3x 10 ⁷ cycles |

Insulation characteristics

| | |
|----------------------|-----|
| Overvoltage category | III |
| Pollution degree | 3 |

Data management status

| | |
|------------------------------|------------|
| Date of last data management | 01.04.2026 |
|------------------------------|------------|

Electrical properties

| | |
|---|---|
| Service life electrical | see diagram |
| Maximum power dissipation for nominal condition | 1.38 W |
| Test voltage (Winding/contact) | 4 kV (50 Hz, 1 min., winding/contact) |
| Test voltage (Contact/contact) | 2.5 kV (50 Hz, 1 min., contact/contact) |

Input data

Coil side

| | |
|---|--------------------------------------|
| Nominal input voltage U _N | 230 V AC |
| Input voltage range | 179.4 V AC ... 356.5 V AC |
| Drive and function | monostable |
| Typical input current at U _N | 6 mA (at 50 Hz) 5.5 mA (At 60 Hz) |
| Typical response time | 3 ms ... 12 ms |
| Typical release time range | 2 ms ... 22 ms |
| Protective circuit | Varistor |
| Operating voltage display | Yellow LED |

Output data

Switching

| | |
|-----------------------------|-----------------------|
| Contact switching type | 2 changeover contacts |
| Type of switch contact | Single contact |
| Contact material | AgNi |
| Maximum switching voltage | 250 V AC/DC |
| Minimum switching voltage | 5 V (at 10 mA) |
| Limiting continuous current | 8 A |
| Maximum inrush current | 15 A (300 ms) |
| Min. switching current | 10 mA (At 5 V) |

PR1-RSC3-LV-230AC/2X21 - Relay module



2834517

<https://www.phoenixcontact.com/us/products/2834517>

| | |
|---------------------------------------|------------------------|
| Interrupting rating (ohmic load) max. | 2000 W (for 250 V AC) |
| | 44 W (at 110 V DC) |
| | 60 W (at 220 V DC) |
| | 190 W (at 24 V DC) |
| | at 440 V AC |
| | 85 W (at 48 V DC) |
| | 60 W (at 60 V DC) |
| Switching capacity | 2 A (at 24 V, DC13) |
| | 0.2 A (at 250 V, DC13) |
| | 3 A (at 24 V, AC15) |
| | 3 A (at 120 V, AC15) |
| | 3 A (at 250 V, AC15) |

Connection data

Coil side

| | |
|----------------------------------|--|
| Connection method | Screw connection |
| Stripping length | 8 mm |
| Screw thread | M3 |
| Conductor cross-section rigid | 0.14 mm ² ... 2.5 mm ² |
| Conductor cross-section flexible | 0.14 mm ² ... 2.5 mm ² |
| Conductor cross-section AWG | 26 ... 14 |

Contact side

| | |
|----------------------------------|--|
| Connection method | Screw connection |
| Stripping length | 8 mm |
| Screw thread | M3 |
| Conductor cross-section rigid | 0.14 mm ² ... 2.5 mm ² |
| Conductor cross-section flexible | 0.14 mm ² ... 2.5 mm ² |
| Conductor cross-section AWG | 26 ... 14 |

Dimensions

| | |
|--------|---------|
| Width | 16 mm |
| Height | 78.5 mm |
| Depth | 71 mm |

Material specifications

| | |
|-------|------------------|
| Color | green (RAL 6021) |
|-------|------------------|

Environmental and real-life conditions

Ambient conditions

| | |
|---|------------------|
| Ambient temperature (operation) | -25 °C ... 60 °C |
| Ambient temperature (storage/transport) | -25 °C ... 85 °C |

Standards and regulations

PR1-RSC3-LV-230AC/2X21 - Relay module



2834517

<https://www.phoenixcontact.com/us/products/2834517>

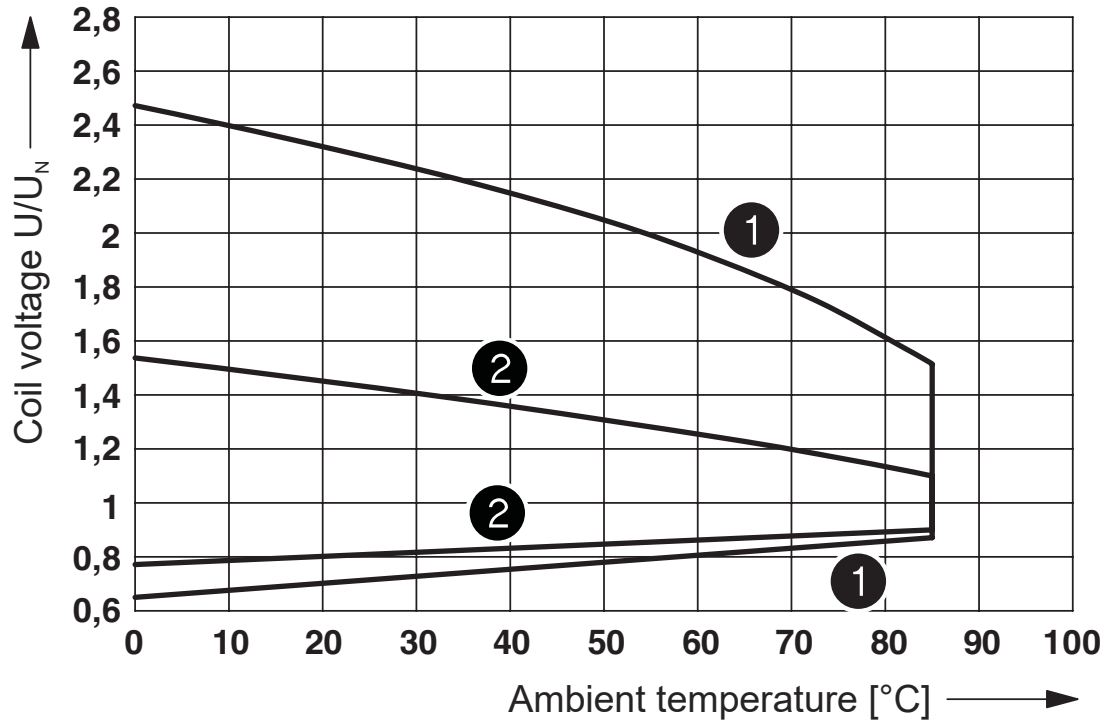
| | |
|-----------------------|-----------|
| Standards/regulations | IEC 60664 |
| | EN 50178 |

Mounting

| | |
|-------------------|---------------------------|
| Mounting type | DIN rail mounting |
| Assembly note | in rows with zero spacing |
| Mounting position | any |

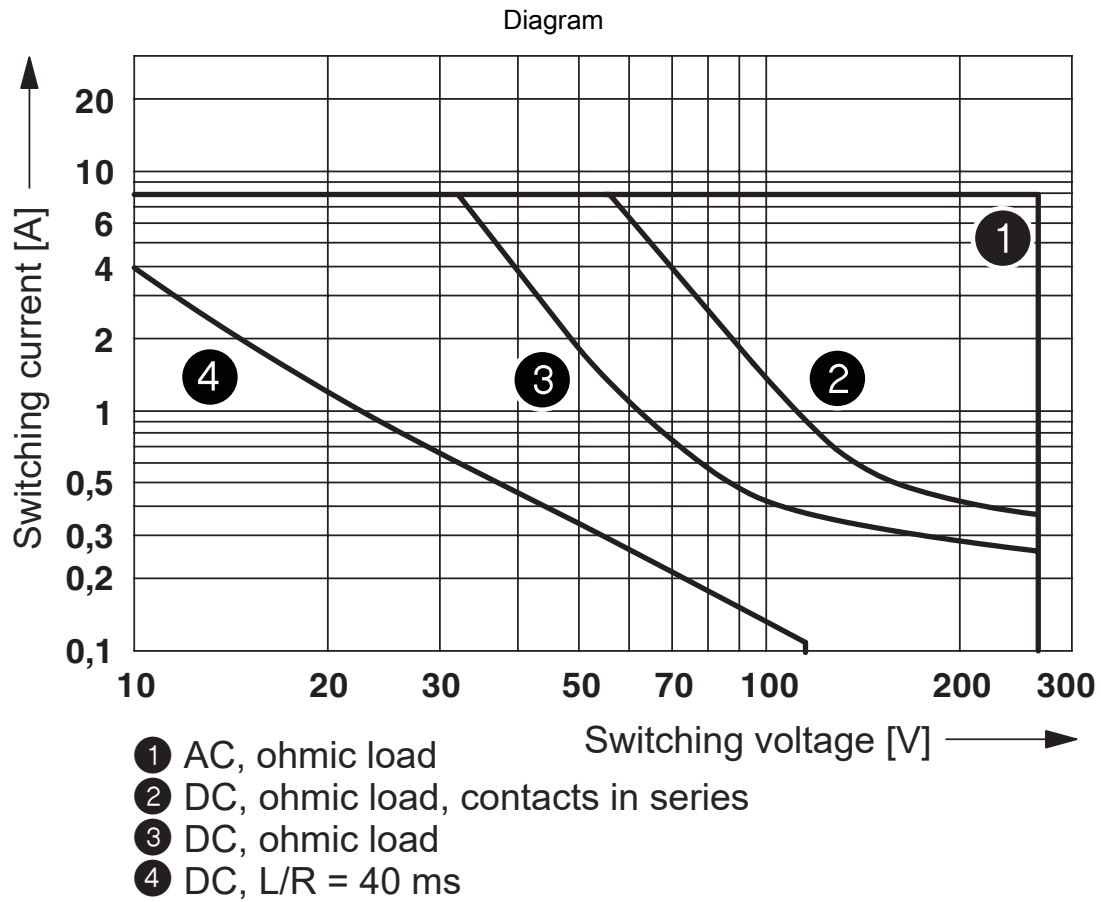
Drawings

Diagram



- ① DC coils
- ② AC coils

Operating voltage range of the relay



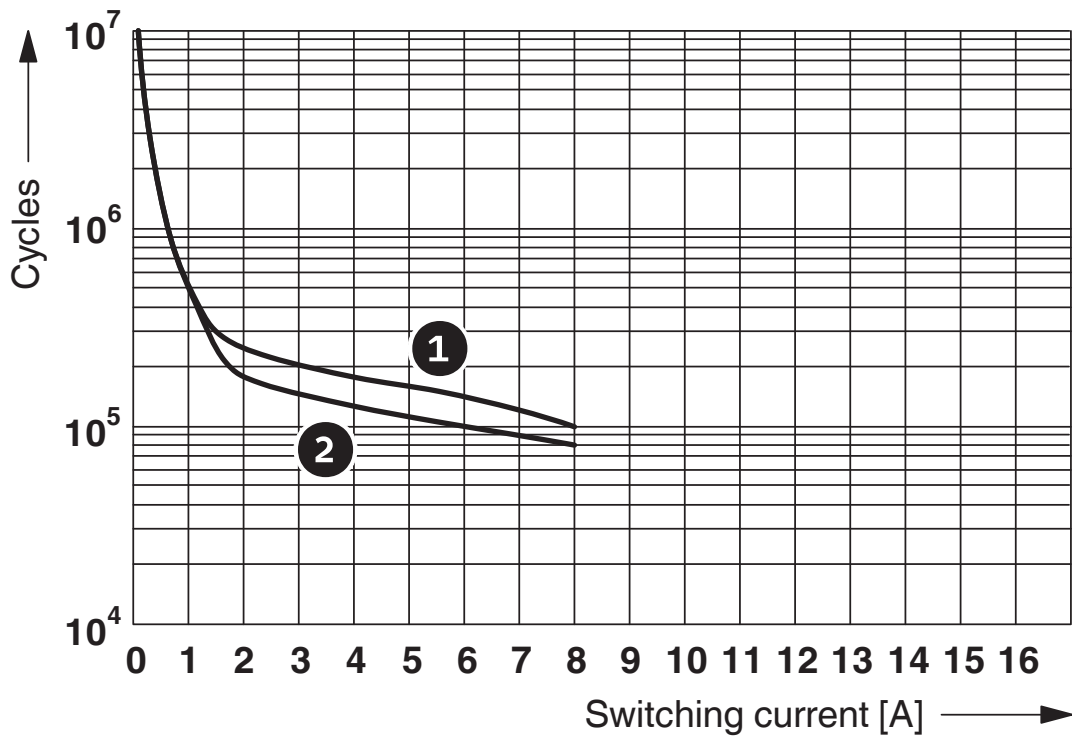
Interrupting rating

Diagram



Service life reduction factor with various cos phi

Diagram



- ① 250 V AC, ohmic load (DC coils)
- ② 250 V AC, ohmic load (AC coils)

Electrical service life

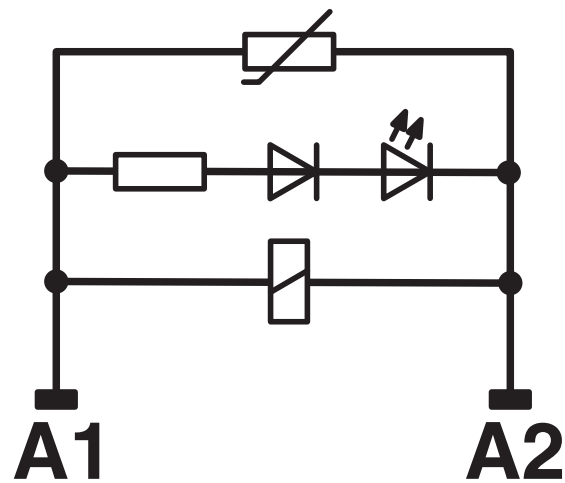
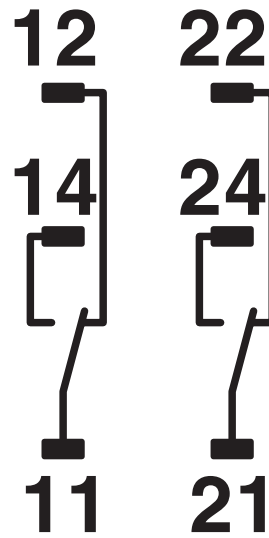
PR1-RSC3-LV-230AC/2X21 - Relay module



2834517

<https://www.phoenixcontact.com/us/products/2834517>

Circuit diagram



PR1-RSC3-LV-230AC/2X21 - Relay module



2834517

<https://www.phoenixcontact.com/us/products/2834517>

Classifications

UNSPSC

| | |
|-------------|----------|
| UNSPSC 21.0 | 39122334 |
|-------------|----------|

PR1-RSC3-LV-230AC/2X21 - Relay module



2834517

<https://www.phoenixcontact.com/us/products/2834517>

Environmental product compliance

EU RoHS

| | |
|---|--------------------|
| Fulfills EU RoHS substance requirements | Yes, No exemptions |
|---|--------------------|

China RoHS

| | |
|--|--|
| Environment friendly use period (EFUP) | EFUP-E |
| | No hazardous substances above the limits |

EU REACH SVHC

| | |
|-------------------------------------|----------------------------|
| REACH candidate substance (CAS No.) | No substance above 0.1 wt% |
|-------------------------------------|----------------------------|

Phoenix Contact 2026 © - all rights reserved
<https://www.phoenixcontact.com>

Phoenix Contact USA
586 Fulling Mill Road
Middletown, PA 17057, United States
(+717) 944-1300
info@phoenixcon.com