

REL-IR/L- 24AC/2X21 - Single relay



2834054

<https://www.phoenixcontact.com/us/products/2834054>

Please be informed that the data shown in this PDF document is generated from our online catalog. Please find the complete data in the user documentation. Our general terms of use for downloads are valid.



Plug-in industrial relays with power contacts, 2 changeover contacts, test button, status LED, mechanical switching position indicator, input voltage: 24 V AC

The figure shows version: REL-IR/L-230AC/2X21

Your advantages

- With detectable manual operation
- Integrated status LED
- Mechanical switch position indicator
- DC types with integrated freewheeling diode

Commercial data

Item number	2834054
Packing unit	1 pc
Note	Made to order (non-returnable)
Sales key	C460
Product key	DK6193
GTIN	4017918941642
Weight per piece (including packing)	35.63 g
Weight per piece (excluding packing)	35.63 g
Customs tariff number	85364190
Country of origin	JP

REL-IR/L- 24AC/2X21 - Single relay



2834054

<https://www.phoenixcontact.com/us/products/2834054>

Technical data

Product properties

Product type	Single relay
Operating mode	100% operating factor
Mechanical service life	5x 10 ⁷ cycles

Insulation characteristics

Overvoltage category	II
Pollution degree	3

Data management status

Date of last data management	05.09.2025
------------------------------	------------

Electrical properties

Service life electrical	see diagram
Maximum power dissipation for nominal condition	1.3 W
Test voltage (Winding/contact)	2 kV AC (50 Hz, 1 min., winding/contact)
Test voltage (Contact/contact)	2 kV AC (50 Hz, 1 min., contact/contact)

Input data

Coil side

Nominal input voltage U _N	24 V AC
Input voltage range	18.7 V AC ... 36 V AC
Mains frequency	50/60 Hz
Drive and function	monostable
Typical input current at U _N	54 mA (at 50 Hz) 46 mA (At 60 Hz)
Typical response time	4 ms ... 10 ms (AC, depending on phase relation)
Typical release time range	3 ms ... 12 ms (AC, depending on phase relation)
Coil resistance	180 Ω ±15 % (at 20 °C)

Output data

Switching

Contact switching type	2 changeover contacts
Type of switch contact	Single contact
Contact material	Ag
Maximum switching voltage	250 V AC/DC
Minimum switching voltage	5 V
Limiting continuous current	10 A
Maximum inrush current	20 A (15 ms)
Min. switching current	1 mA
Interrupting rating (ohmic load) max.	2500 VA (for 250 V AC)

REL-IR/L- 24AC/2X21 - Single relay



2834054

<https://www.phoenixcontact.com/us/products/2834054>

Connection data

Coil side

Connection method	Plug / solder connection
-------------------	--------------------------

Contact side

Connection method	Plug / solder connection
-------------------	--------------------------

Dimensions

Width	21.5 mm
Height	28 mm
Depth	36 mm

Environmental and real-life conditions

Ambient conditions

Degree of protection	RT I
Ambient temperature (operation)	-55 °C ... 70 °C
Ambient temperature (storage/transport)	-55 °C ... 70 °C

Standards and regulations

Standards/regulations	DIN EN 61810-1
	VDE 0435-201
	EN 50178

Mounting

Assembly note	On relay base PR2
Mounting position	any

REL-IR/L- 24AC/2X21 - Single relay



2834054

<https://www.phoenixcontact.com/us/products/2834054>

Drawings

Diagram



Operating voltage range

REL-IR/L- 24AC/2X21 - Single relay

2834054

<https://www.phoenixcontact.com/us/products/2834054>

Diagram



AC interrupting rating

REL-IR/L- 24AC/2X21 - Single relay

2834054

<https://www.phoenixcontact.com/us/products/2834054>



- ① Ohmic load
- ② ohmic load, contacts in series
- ③ L/R < 7 ms

DC interrupting rating

REL-IR/L- 24AC/2X21 - Single relay



2834054

<https://www.phoenixcontact.com/us/products/2834054>



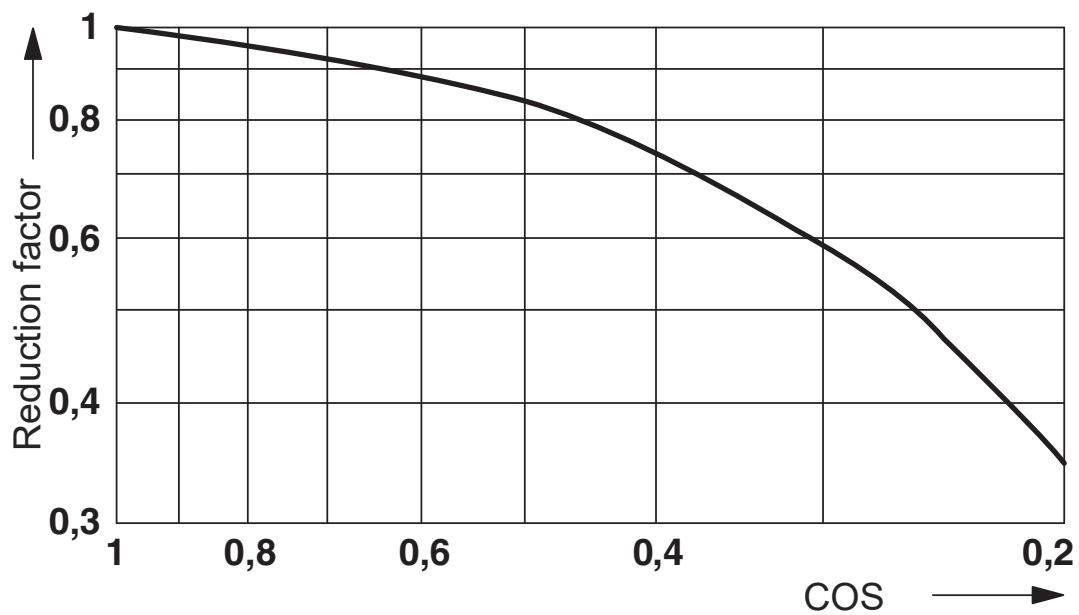
- ① 250 V AC, ohmic load
- ② 30 V DC, ohmic load

Electrical service life

2834054

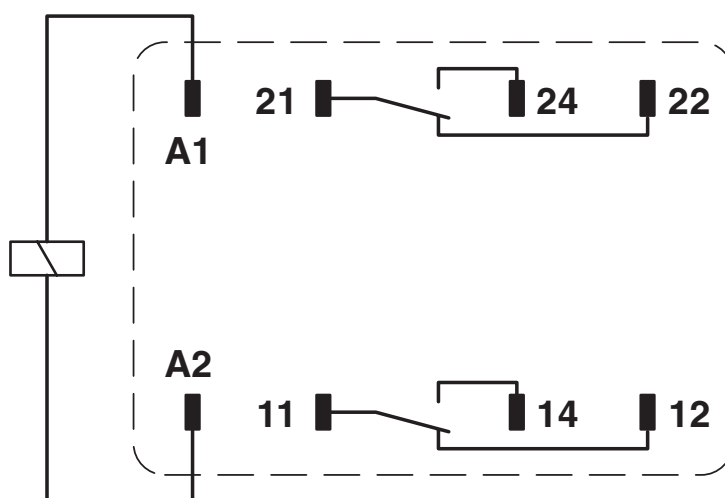
<https://www.phoenixcontact.com/us/products/2834054>

Diagram



Service life reduction factor

Circuit diagram



Shown without LED and damping diode.

Contacts 21, 22, 24 are led onto relay base connections 41, 42, 44.

REL-IR/L- 24AC/2X21 - Single relay



2834054

<https://www.phoenixcontact.com/us/products/2834054>

Classifications

UNSPSC

UNSPSC 21.0	39122334
-------------	----------

REL-IR/L- 24AC/2X21 - Single relay



2834054

<https://www.phoenixcontact.com/us/products/2834054>

Environmental product compliance

EU RoHS

Fulfills EU RoHS substance requirements	Yes, No exemptions
---	--------------------

China RoHS

Environment friendly use period (EFUP)	EFUP-E
	No hazardous substances above the limits

EU REACH SVHC

REACH candidate substance (CAS No.)	No substance above 0.1 wt%
-------------------------------------	----------------------------

Phoenix Contact 2026 © - all rights reserved
<https://www.phoenixcontact.com>

Phoenix Contact USA
586 Fulling Mill Road
Middletown, PA 17057, United States
(+717) 944-1300
info@phoenixcon.com