

REL-IR/LDP- 12DC/2X21 - Single relay



2834012

<https://www.phoenixcontact.com/us/products/2834012>

Please be informed that the data shown in this PDF document is generated from our online catalog. Please find the complete data in the user documentation. Our general terms of use for downloads are valid.



Plug-in industrial relay with power contacts, 2 changeover contacts, test button, status LED, freewheeling diode, mechanical switching position indicator, polarity **A1+**, **A2-**, input voltage 12 V DC

Your advantages

- With detectable manual operation
- DC types with integrated freewheeling diode
- Mechanical switch position indicator
- Integrated status LED

Commercial data

| | |
|--------------------------------------|--------------------------------|
| Item number | 2834012 |
| Packing unit | 1 pc |
| Note | Made to order (non-returnable) |
| Sales key | C460 |
| Product key | DK6193 |
| GTIN | 4017918941611 |
| Weight per piece (including packing) | 38.24 g |
| Weight per piece (excluding packing) | 38.24 g |
| Customs tariff number | 85364190 |
| Country of origin | JP |

Technical data

Product properties

| | |
|-------------------------|---------------------------|
| Product type | Single relay |
| Operating mode | 100% operating factor |
| Mechanical service life | 5x 10 ⁷ cycles |

Insulation characteristics

| | |
|----------------------|----|
| Overvoltage category | II |
| Pollution degree | 2 |

Data management status

| | |
|------------------------------|------------|
| Date of last data management | 01.04.2026 |
|------------------------------|------------|

Electrical properties

| | |
|---|--|
| Service life electrical | see diagram |
| Maximum power dissipation for nominal condition | 0.9 W |
| Test voltage (Winding/contact) | 2 kV AC (50 Hz, 1 min., winding/contact) |
| Test voltage (Contact/contact) | 2 kV AC (50 Hz, 1 min., contact/contact) |

Input data

Coil side

| | |
|---|------------------------------------|
| Nominal input voltage U_N | 12 V DC |
| Input voltage range | 9.4 V DC ... 18 V DC |
| Input voltage range in reference to U_N | see diagram |
| Drive and function | monostable |
| Typical input current at U_N | 75 mA |
| Typical response time | 13 ms |
| Typical release time | 14 ms |
| Coil resistance | 160 Ω \pm 15 % (at 20 °C) |

Output data

Switching

| | |
|---------------------------------------|------------------------|
| Contact switching type | 2 changeover contacts |
| Type of switch contact | Single contact |
| Contact material | Ag |
| Maximum switching voltage | 250 V AC/DC |
| Minimum switching voltage | 5 V |
| Limiting continuous current | 10 A |
| Maximum inrush current | 20 A (15 ms) |
| Min. switching current | 1 mA |
| Interrupting rating (ohmic load) max. | 2500 VA (for 250 V AC) |

Connection data

REL-IR/LDP- 12DC/2X21 - Single relay



2834012

<https://www.phoenixcontact.com/us/products/2834012>

| | |
|-------------------|--------------------|
| Connection method | Plug-in connection |
|-------------------|--------------------|

Dimensions

| | |
|--------|---------|
| Width | 21.5 mm |
| Height | 28 mm |
| Depth | 36 mm |

Environmental and real-life conditions

Ambient conditions

| | |
|---|------------------|
| Degree of protection | RT I |
| Ambient temperature (operation) | -55 °C ... 70 °C |
| Ambient temperature (storage/transport) | -55 °C ... 70 °C |

Standards and regulations

| | |
|-----------------------|----------------|
| Standards/regulations | DIN EN 61810-1 |
| | VDE 0435-201 |
| | EN 50178 |

Mounting

| | |
|-------------------|-------------------|
| Assembly note | On relay base PR2 |
| Mounting position | any |

REL-IR/LDP- 12DC/2X21 - Single relay



2834012

<https://www.phoenixcontact.com/us/products/2834012>

Drawings

Diagram



Operating voltage range

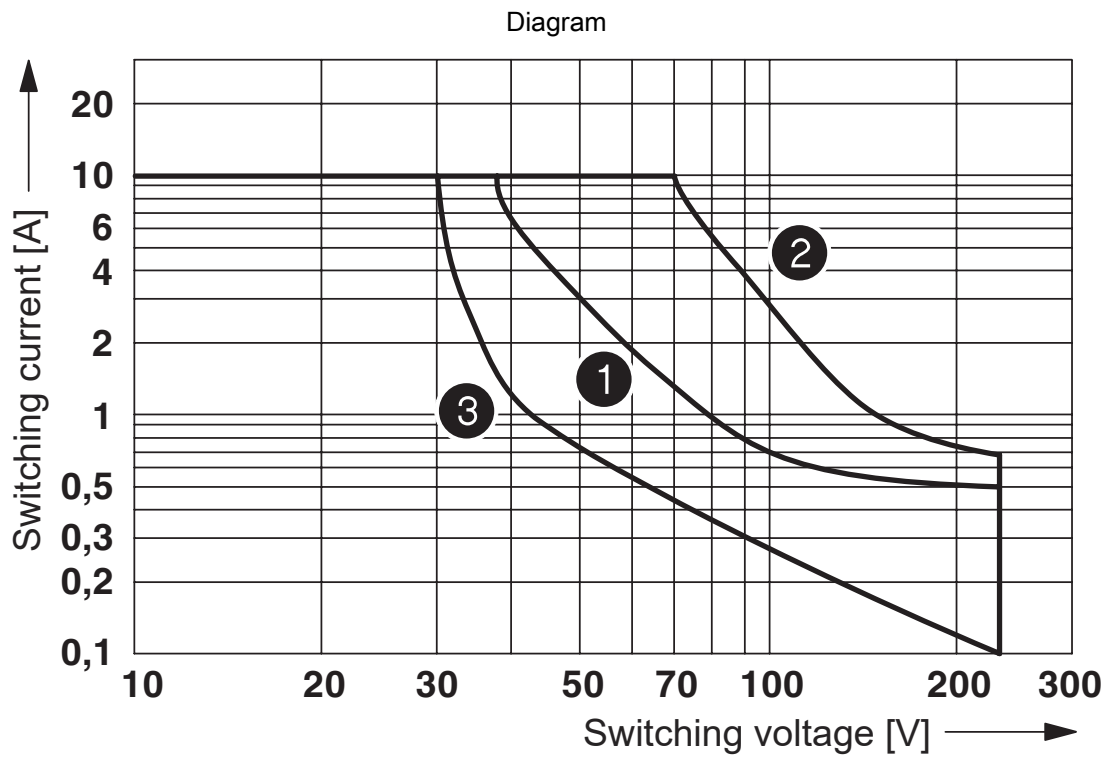
Diagram



AC interrupting rating

2834012

<https://www.phoenixcontact.com/us/products/2834012>



- ① Ohmic load
- ② ohmic load, contacts in series
- ③ L/R < 7 ms

DC interrupting rating

REL-IR/LDP- 12DC/2X21 - Single relay



2834012

<https://www.phoenixcontact.com/us/products/2834012>



- ① 250 V AC, ohmic load
- ② 30 V DC, ohmic load

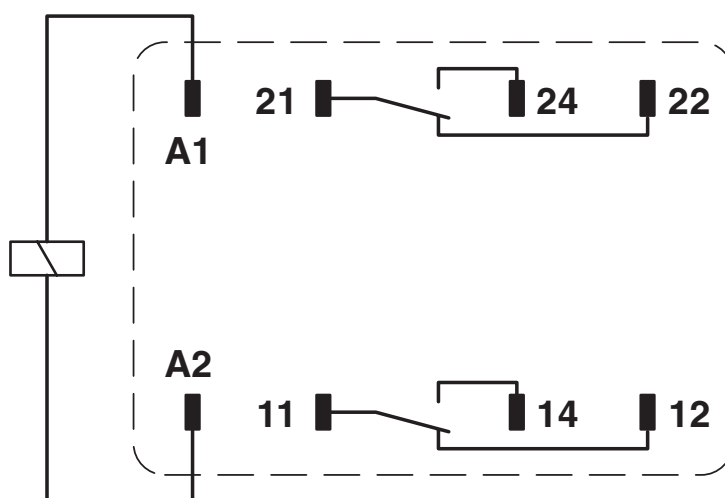
Electrical service life

Diagram



Service life reduction factor

Circuit diagram



Shown without LED and damping diode.

Contacts 21, 22, 24 are led onto relay base connections 41, 42, 44.

REL-IR/LDP- 12DC/2X21 - Single relay



2834012

<https://www.phoenixcontact.com/us/products/2834012>

Classifications

UNSPSC

| | |
|-------------|----------|
| UNSPSC 21.0 | 39122334 |
|-------------|----------|

REL-IR/LDP- 12DC/2X21 - Single relay



2834012

<https://www.phoenixcontact.com/us/products/2834012>

Environmental product compliance

EU RoHS

| | |
|---|--------------------|
| Fulfills EU RoHS substance requirements | Yes, No exemptions |
|---|--------------------|

China RoHS

| | |
|--|--|
| Environment friendly use period (EFUP) | EFUP-E |
| | No hazardous substances above the limits |

EU REACH SVHC

| | |
|-------------------------------------|----------------------------|
| REACH candidate substance (CAS No.) | No substance above 0.1 wt% |
|-------------------------------------|----------------------------|

Phoenix Contact 2026 © - all rights reserved
<https://www.phoenixcontact.com>

Phoenix Contact USA
586 Fulling Mill Road
Middletown, PA 17057, United States
(+717) 944-1300
info@phoenixcon.com