

# LV-120-230AC/110DC - Plug-in module



2833738

<https://www.phoenixcontact.com/us/products/2833738>

Please be informed that the data shown in this PDF document is generated from our online catalog. Please find the complete data in the user documentation. Our general terms of use for downloads are valid.

Plug-in module, with varistor and yellow LED, input voltage: 120 ... 230 V AC / 110 V DC  $\pm 20$  %



## Your advantages

- Mechanical coding to protect against mismatching
- Attenuation of reverse voltage induced in coil

## Commercial data

Item number	2833738
Packing unit	10 pc
Minimum order quantity	10 pc
Sales key	C463
Product key	DKF346
GTIN	4017918933920
Weight per piece (including packing)	2.94 g
Weight per piece (excluding packing)	2.84 g
Customs tariff number	85366990
Country of origin	CN

# LV-120-230AC/110DC - Plug-in module



2833738

<https://www.phoenixcontact.com/us/products/2833738>

## Technical data

### Product properties

Product type	Plug-in module
Product family	ESSENTIAL edition

### Input data

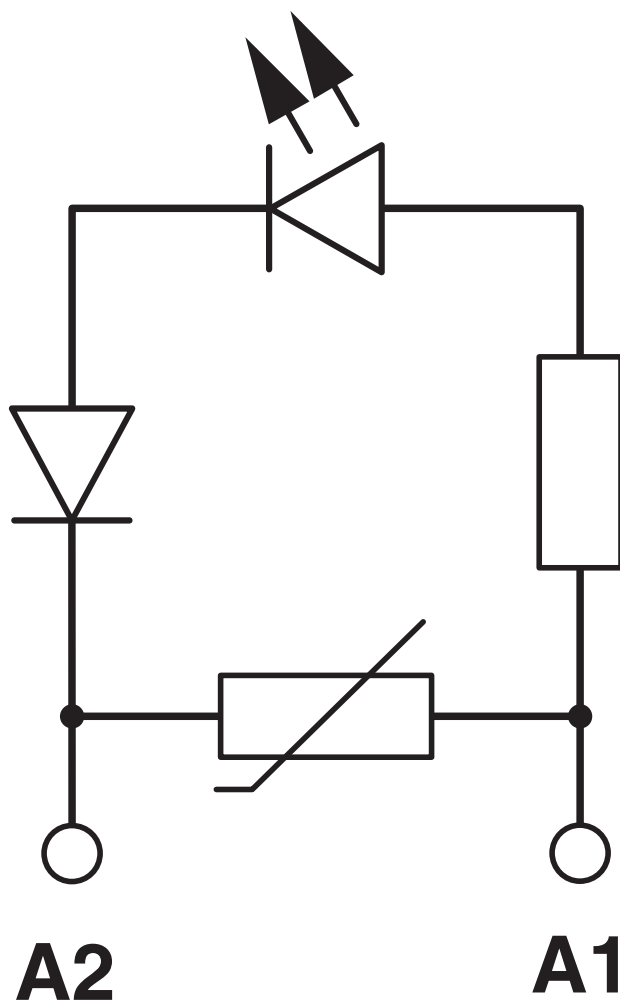
Input voltage range	120 V AC ... 230 V AC
Protective circuit	Varistor, LED

### Mounting

Mounting type	Plug-in mounting
Assembly note	Can be inserted into relay base
Mounting position	any

Drawings

Circuit diagram



# LV-120-230AC/110DC - Plug-in module



2833738

<https://www.phoenixcontact.com/us/products/2833738>

## Approvals

To download certificates, visit the product detail page: <https://www.phoenixcontact.com/us/products/2833738>



**cUL Recognized**  
Approval ID: E140324



**UL Recognized**  
Approval ID: E140324



**EAC**  
Approval ID: RU C-DE.A\*08.B.00777

# LV-120-230AC/110DC - Plug-in module



2833738

<https://www.phoenixcontact.com/us/products/2833738>

## Classifications

### ECLASS

ECLASS-13.0	27371692
ECLASS-15.0	27371692

### ETIM

ETIM 10.0	EC002586
-----------	----------

### UNSPSC

UNSPSC 21.0	39122300
-------------	----------

# LV-120-230AC/110DC - Plug-in module



2833738

<https://www.phoenixcontact.com/us/products/2833738>

## Environmental product compliance

### EU RoHS

Fulfills EU RoHS substance requirements	Yes, No exemptions
---	--------------------

### China RoHS

Environment friendly use period (EFUP)	EFUP-E
	No hazardous substances above the limits

### EU REACH SVHC

REACH candidate substance (CAS No.)	No substance above 0.1 wt%
-------------------------------------	----------------------------

### EF3.1 Climate Change

CO2e kg	0.291 kg CO2e
---------	---------------

Phoenix Contact 2026 © - all rights reserved  
<https://www.phoenixcontact.com>

Phoenix Contact USA  
586 Fulling Mill Road  
Middletown, PA 17057, United States  
(+717) 944-1300  
[info@phoenixcon.com](mailto:info@phoenixcon.com)