

MCR-C-U-I- 4-DC - Signal conditioner



2814537

<https://www.phoenixcontact.com/us/products/2814537>

Please be informed that the data shown in this PDF document is generated from our online catalog. Please find the complete data in the user documentation. Our general terms of use for downloads are valid.



MCR 3-way signal conditioner, for electrical isolation of analog signals, input signal: 0 V .. . 10 V, output signal: 4 mA ... 20 mA. Replacement part: 2902029 MINI MCR-2-U-I4.

The figure shows version MCR-C-I-I-00-DC

Your advantages

- Processing of standard signals
- 3-way isolation
- Fixed setting of input and output signals

Commercial data

Item number	2814537
Packing unit	1 pc
Note	Made to order (non-returnable)
Sales key	C401
Product key	DK1XXX
GTIN	4017918156220
Weight per piece (including packing)	80.75 g
Weight per piece (excluding packing)	74.78 g
Customs tariff number	85437090
Country of origin	DE

MCR-C-U-I- 4-DC - Signal conditioner



2814537

<https://www.phoenixcontact.com/us/products/2814537>

Technical data

Product properties

Product type	Signal conditioner
No. of channels	1

Electrical properties

Electrical isolation between input and output	yes
Limit frequency (3 dB)	30 Hz
Maximum power dissipation for nominal condition	450 mW
Test voltage, input/output/supply	1.5 kV AC (50 Hz, 60 s)
Protective circuit	Transient protection
Step response (10-90%)	11 ms
Maximum temperature coefficient	< 0.015 %/K
Maximum transmission error	≤ 0.3 % (of final value)
Transmission error, typical	< 0.2 % (of final value)

Supply

Supply voltage range	20 V DC ... 30 V DC
Typical current consumption	< 15 mA (without load)

Input data

Signal

Description of the input	Voltage input
Number of inputs	1
Configurable/programmable	no
Voltage input signal	0 V ... 10 V
Max. voltage input signal	30 V
Input resistance of voltage input	100 kΩ

Output data

Signal: Current output

Number of outputs	1
Configurable/programmable	no
Current output signal	4 mA ... 20 mA
Max. current output signal	30 mA
Load/output load current output	≤ 500 Ω
Linear transmission range (in reference to the output range end value)	-5 % ... 105 %

Connection data

Connection method	Pluggable screw connection
Stripping length	8 mm

MCR-C-U-I- 4-DC - Signal conditioner



2814537

<https://www.phoenixcontact.com/us/products/2814537>

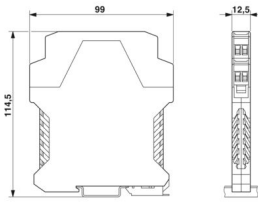
Screw thread	M3
Conductor cross-section rigid	0.2 mm ² ... 2.5 mm ²
Conductor cross-section flexible	0.2 mm ² ... 2.5 mm ²
Conductor cross-section AWG	24 ... 14

Interfaces

Data communication (bypass)

Limit frequency (3 dB)	30 Hz
------------------------	-------

Dimensions

Dimensional drawing	
Width	12.5 mm
Height	99 mm
Depth	114.5 mm

Material specifications

Color	green (RAL 6021)
Housing material	Polyamide PA non-reinforced

Environmental and real-life conditions

Ambient conditions

Ambient temperature (operation)	-25 °C ... 60 °C
---------------------------------	------------------

Approvals

CE

Certificate	CE-compliant
-------------	--------------

Mounting

Mounting type	DIN rail mounting
Mounting position	any

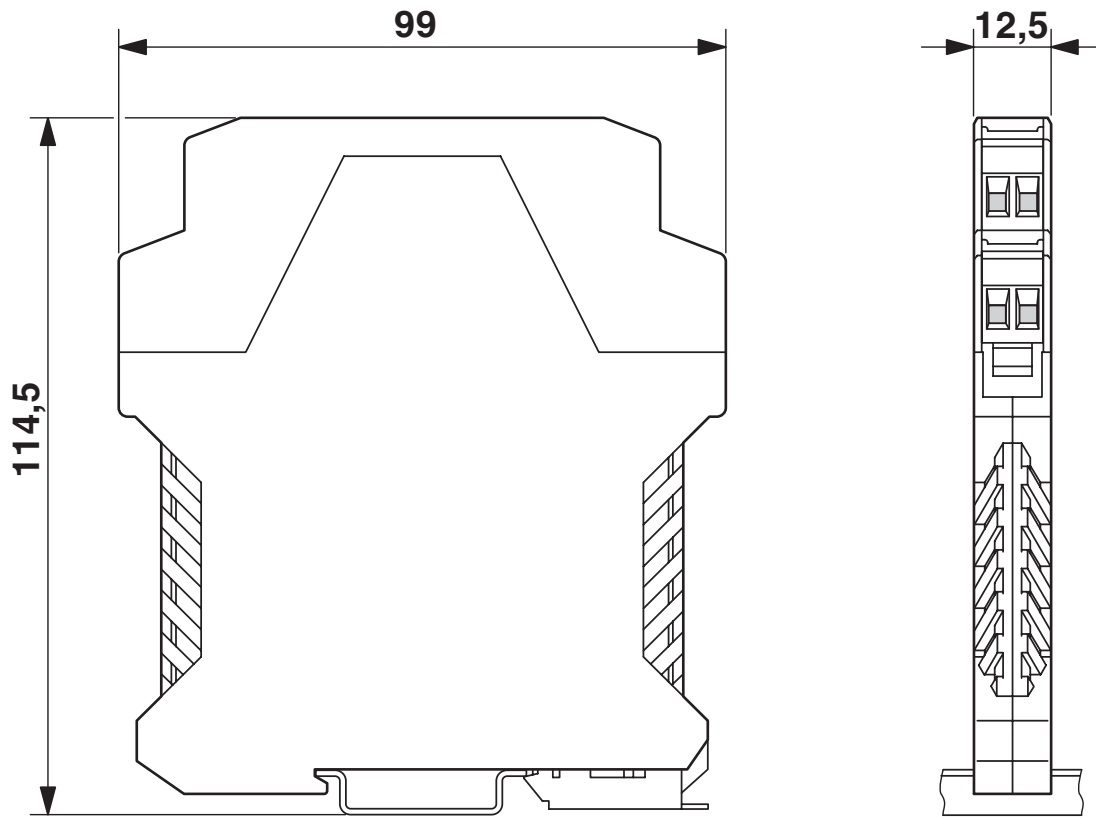
MCR-C-U-I- 4-DC - Signal conditioner

2814537

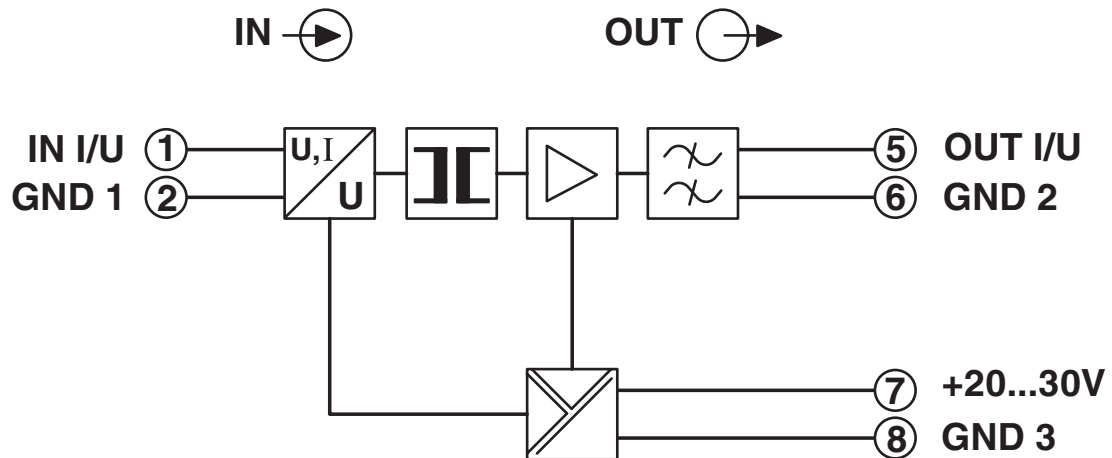
<https://www.phoenixcontact.com/us/products/2814537>

Drawings

Dimensional drawing



Circuit diagram



MCR-C-U-I- 4-DC - Signal conditioner



2814537

<https://www.phoenixcontact.com/us/products/2814537>

Classifications

UNSPSC

UNSPSC 21.0	39121000
-------------	----------

MCR-C-U-I- 4-DC - Signal conditioner



2814537

<https://www.phoenixcontact.com/us/products/2814537>

Environmental product compliance

EU RoHS

Fulfills EU RoHS substance requirements	Yes
Exemption	6(c), 7(a), 7(c)-I

China RoHS

Environment friendly use period (EFUP)	EFUP-50
	An article-related China RoHS declaration table can be found in the download area for the respective article under "Manufacturer declaration". For all articles with EFUP-E, no China RoHS declaration table issued and required.

EU REACH SVHC

REACH candidate substance (CAS No.)	Lead(CAS: 7439-92-1)
-------------------------------------	----------------------

Phoenix Contact 2026 © - all rights reserved
<https://www.phoenixcontact.com>

Phoenix Contact USA
586 Fulling Mill Road
Middletown, PA 17057, United States
(+717) 944-1300
info@phoenixcon.com