

MACX MCR-T-UI-UP-SP - Temperature measuring transducer



2811860

<https://www.phoenixcontact.com/us/products/2811860>

Please be informed that the data shown in this PDF document is generated from our online catalog. Please find the complete data in the user documentation. Our general terms of use for downloads are valid.



Freely programmable temperature measuring transducer with analog output and 1 limit value relay, resistance thermometer in 2-, 3-, or 4-conductor technology, thermocouples, wide-range supply. Standard configuration, 4-way isolation, Safety Integrity Level (SIL, IEC 61508): 2, Performance Level (ISO 13849-1): d, Systematic Capability: 2, Push-in connection

Your advantages

- Cold junction compensation with separate plug
- Configuration via software (FDT/DTM) or IFS-OP-UNIT operator interface and display unit
- Up to SIL 2 in accordance with EN 61508
- Installation in zone 2, protection type "n" (EN 60079-15) permitted
- Inverse output signal ranges as an option
- Plug-in screw or spring-cage connection technology (Push-in technology)
- Programming during operation and also voltage-free using IFS-USB-PROG-ADAPTER programming adapter
- Measure differential temperatures
- Input for resistance thermometers, thermocouples, resistance-type sensors, potentiometers, and mV sources
- Freely programmable input and output
- Relay switching output

Commercial data

Item number	2811860
Packing unit	1 pc
Minimum order quantity	1 pc
Sales key	C402
Product key	DK1115
GTIN	4046356629119
Weight per piece (including packing)	250.3 g
Weight per piece (excluding packing)	150 g
Customs tariff number	85437090
Country of origin	DE

MACX MCR-T-UI-UP-SP - Temperature measuring transducer



2811860

<https://www.phoenixcontact.com/us/products/2811860>

Technical data

Product properties

Product type	Temperature transmitter
Product family	MACX Analog
Configuration	DIP switches
	Software

Insulation characteristics

Overvoltage category	II
Pollution degree	2

System properties

Functionality

Configuration	DIP switches
	Software

Electrical properties

Electrical isolation	4-way isolation
Electrical isolation between input and output	yes
Maximum power dissipation for nominal condition	1.26 W
Step response (0–99%)	≤ 1.75 s (SIL on)
	1.3 s (SIL off)
Maximum temperature coefficient	0.01 %/K
Maximum transmission error	0.1 % (E.g., at Pt 100, 300 K min. span)

Electrical isolation Input/output/power supply IEC/EN 61010-1

Standards/regulations	IEC/EN 61010-1
Rated insulation voltage	300 V _{rms}
Test voltage	2.5 kV AC (50 Hz, 60 s)
Insulation	Safe isolation

Electrical isolation Input/output IEC/EN 60079-11

Standards/regulations	IEC/EN 60079-11
Rated insulation voltage	375 V _P

Electrical isolation Input/power supply IEC/EN 60079-11

Standards/regulations	IEC/EN 60079-11
Rated insulation voltage	375 V _P

Electrical isolation Input/switching output IEC/EN 60079-11

Standards/regulations	IEC/EN 60079-11
Rated insulation voltage	375 V _P

Supply

Nominal supply voltage range	24 V AC/DC ... 230 V AC/DC -20 % ... +10 % (50/60 Hz)
------------------------------	---

MACX MCR-T-UI-UP-SP - Temperature measuring transducer



2811860

<https://www.phoenixcontact.com/us/products/2811860>

Supply voltage range	19.2 V AC/DC ... 253 V AC/DC (50/60 Hz)
Typical current consumption	< 50 mA (24 V DC)
Power consumption	< 1.5 W

Input data

Signal

Number of inputs	1
Input signal	Temperature
	Resistor
	Voltage

Measurement

Sensor types (RTD) that can be used	Pt, Ni, Cu sensors: 2, 3, 4-wire
Sensor types that can be used (TC)	B, E, J, K, N, R, S, T, L, U, CA, DA, A1G, A2G, A3G, MG, LG
Temperature measuring range	-250 °C ... 2500 °C (Range depending on the sensor type)
Linear resistance measuring range	0 Ω ... 50 kΩ
Potentiometer resistance range	0 Ω ... 50 kΩ
Linear mV signal range	-1000 mV ... 1000 mV

Output data

Switching: Relay

Configurable/programmable	Yes
Contact switching type	1 changeover contact
Contact material	AgSnO ₂ , hard gold-plated
Maximum switching voltage	30 V AC/DC
Max. switching current	0.5 A (30 V AC)
	1 A (30 V DC)

Signal: Current

Number of outputs	1
Configurable/programmable	Yes
Max. voltage output signal	± 11 V
Current output signal	0 mA ... 20 mA (SIL off)
	4 mA ... 20 mA (SIL on)
Max. current output signal	22 mA
Load/output load voltage output	≥ 10 kΩ
Load/output load current output	≤ 600 Ω (20 mA)
Behavior in the event of a sensor error	freely programmable

Connection data

Connection method	Push-in connection
Stripping length	10 mm
Conductor cross-section rigid	0.2 mm ² ... 2.5 mm ²
Conductor cross-section flexible	0.2 mm ² ... 2.5 mm ²

MACX MCR-T-UI-UP-SP - Temperature measuring transducer



2811860

<https://www.phoenixcontact.com/us/products/2811860>

Conductor cross-section flexible (2 conductors with same cross section)	0.25 mm ² ... 0.34 mm ² (TWIN ferrule without plastic sleeve)
	0.5 mm ² ... 1.5 mm ² (TWIN ferrule with plastic sleeve)
Conductor cross-section AWG	24 ... 14
	24 ... 22 (TWIN ferrule without plastic sleeve)
	20 ... 16 (TWIN ferrule with plastic sleeve)

Ex data

Ex installation (EPL)	Gc
	Div. 2

Signaling

Status display	LED supply voltage, PWR (green)
	Red LED, flashing (line, sensor error, ERR)
	Red LED (module error, ERR)
	Yellow LED (switching output)

Dimensions

Dimensional drawing	
Width	17.5 mm
Height	107.9 mm
Depth	113.7 mm
Depth NS 35/7,5	114.5 mm (Snapped onto DIN rail NS 35/7,5 in accordance with EN 60715)

Material specifications

Color	gray (RAL 7042)
Flammability rating according to UL 94 (Housing)	V0 (Housing)
Housing material	PA 6.6-FR

Environmental and real-life conditions

Ambient conditions

Degree of protection	IP20
Ambient temperature (operation)	-20 °C ... 65 °C
Ambient temperature (storage/transport)	-40 °C ... 85 °C
Permissible humidity (operation)	typ. 5 % ... 95 % (non-condensing)
Shock (operation)	15g (IEC 60068-2-27)
Vibration (operation)	5g (IEC 60068-2-6)

Altitude range (≤ 2000 m)

MACX MCR-T-UI-UP-SP - Temperature measuring transducer



2811860

<https://www.phoenixcontact.com/us/products/2811860>

Altitude	≤ 2000 m (The technical data refers to altitudes ≤2000 m above mean sea level. For altitudes >2000 m above mean sea level, refer to the data sheet.)
Ambient temperature (operation)	-20 °C ... 65 °C
Safety-related maximum voltage U_m	30 V (Installation in zone 2)

Altitude range (≤ 3000 m)

Height range	> 2000 m ... 3000 m
Ambient temperature (operation)	-20 °C ... 55 °C
Safety-related maximum voltage U_m	30 V (Installation in zone 2)

Altitude range (≤ 4000 m)

Height range	> 3000 m ... 4000 m
Ambient temperature (operation)	-20 °C ... 50 °C
Safety-related maximum voltage U_m	30 V (Installation in zone 2)

Altitude range (≤ 5000 m)

Height range	> 4000 m ... 5000 m
Ambient temperature (operation)	-20 °C ... 45 °C
Safety-related maximum voltage U_m	30 V (Installation in zone 2)

Approvals

CE

Certificate	CE-compliant
-------------	--------------

ATEX

Identification	Ⓜ II 3 G Ex ec ic nC IIC T4 Gc
Certificate	IBExU 10 ATEX 1044 X

IECEX

Identification	Ex ec ic nC IIC T4 Gc
Certificate	IECEX IBE 10.0004 X

INMETRO

Identification	Ex ec ic nC IIC T4 Gc
Certificate	DNV 18.0143 X

UL, USA/Canada

Identification	UL 508 Listed
	Class I, Div. 2, Groups A, B, C, D T6
	Class I, Zone 2, Group IIC T6

Shipbuilding approval

Certificate	DNV GL TAA000020C
-------------	-------------------

Safety Integrity Level (SIL, IEC 61508)

Identification	2
Certificate	SEBS-A.150520/17, V2.0

MACX MCR-T-UI-UP-SP - Temperature measuring transducer



2811860

<https://www.phoenixcontact.com/us/products/2811860>

Systematic Capability

Identification	2
----------------	---

Performance Level (ISO 13849-1)

Identification	d
----------------	---

EAC Ex

Identification	Ex ec ic IIC T4 Gc
Certificate	BY/112 02.01 TP012 103.01 00078

Shipbuilding data

Temperature	B
Humidity	B
Vibration	A
EMC	A
Enclosure	Required protection according to the Rules shall be provided upon installation on board

EMC data

Electromagnetic compatibility	Conformance with EMC directive
Noise immunity	EN 61000-6-2
Note	When being exposed to interference, there may be minimal deviations.

Noise emission

Standards/regulations	EN 61000-6-4
-----------------------	--------------

Standards and regulations

Electrical isolation	4-way isolation
----------------------	-----------------

Mounting

Mounting type	DIN rail mounting
---------------	-------------------

MACX MCR-T-UI-UP-SP - Temperature measuring transducer

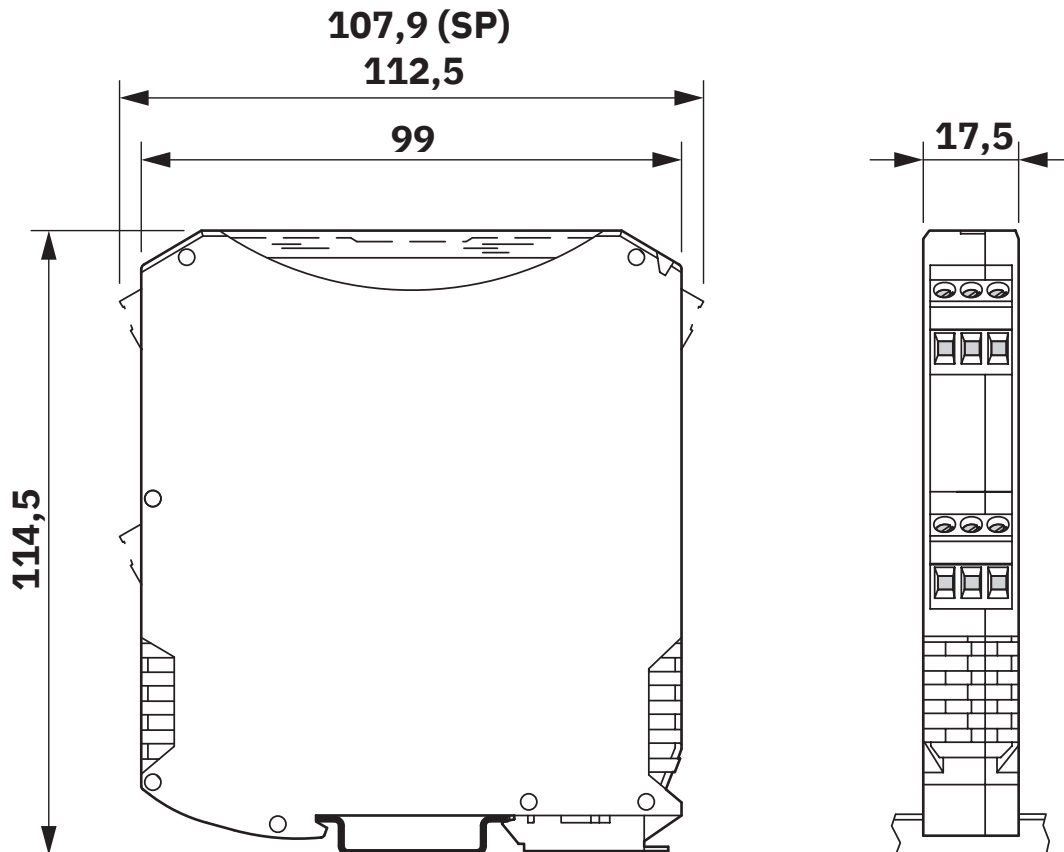


2811860

<https://www.phoenixcontact.com/us/products/2811860>

Drawings

Dimensional drawing



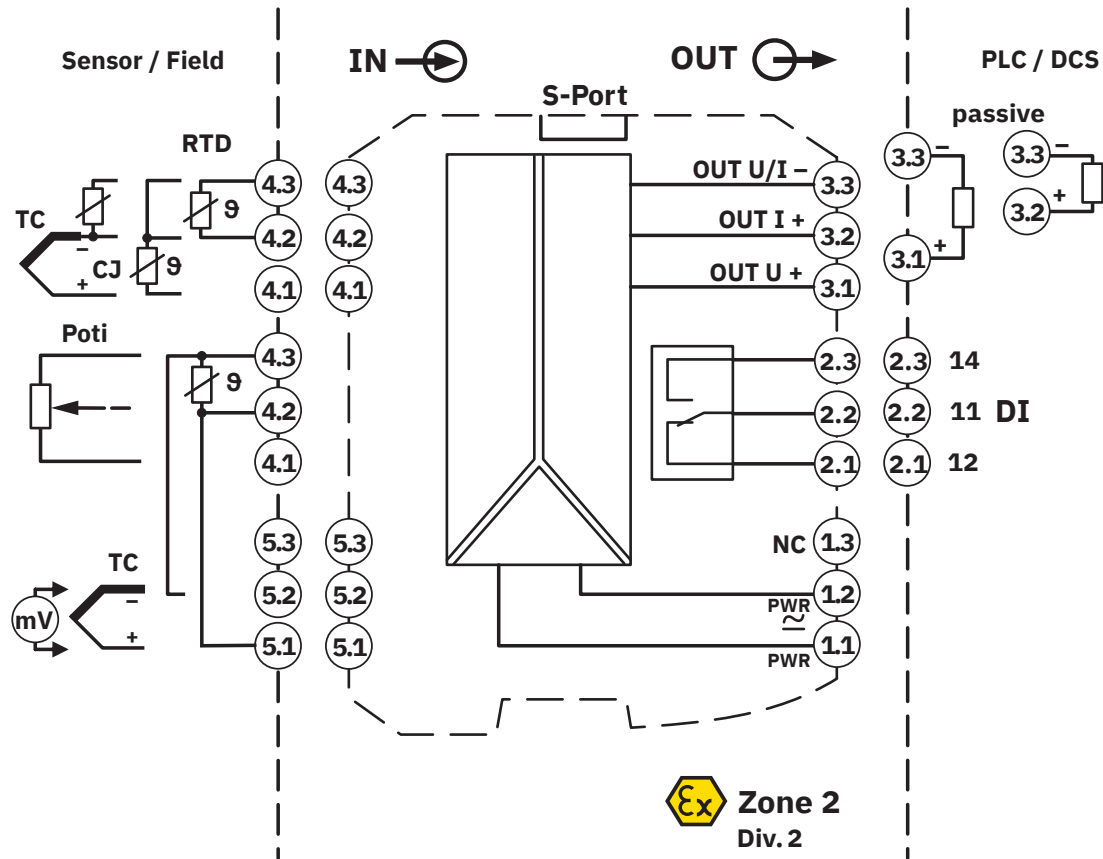
MACX MCR-T-UI-UP-SP - Temperature measuring transducer



2811860

<https://www.phoenixcontact.com/us/products/2811860>

Block diagram



MACX MCR-T-UI-UP-SP - Temperature measuring transducer



2811860

<https://www.phoenixcontact.com/us/products/2811860>

Approvals

To download certificates, visit the product detail page: <https://www.phoenixcontact.com/us/products/2811860>

DNV

Approval ID: TAA000020C



UL Listed

Approval ID: E238705



cUL Listed

Approval ID: E238705



Functional Safety

Approval ID: SEBS-A.20170608



EAC Ex

Approval ID: BY/112 02.01 TP012xx



IECEX

Approval ID: IECEX IBE 10.0004X



cUL Listed

Approval ID: E199827



UL Listed

Approval ID: E199827



ATEX

Approval ID: IBExU 10 ATEX B001 X



ATEX

Approval ID: IBExU 10 ATEX 1044

INMETRO

Approval ID: DNV 18.0143 X

MACX MCR-T-UI-UP-SP - Temperature measuring transducer



2811860

<https://www.phoenixcontact.com/us/products/2811860>

Classifications

ECLASS

ECLASS-13.0	27210129
ECLASS-15.0	27210129

ETIM

ETIM 10.0	EC002919
-----------	----------

UNSPSC

UNSPSC 21.0	41112100
-------------	----------

MACX MCR-T-UI-UP-SP - Temperature measuring transducer



2811860

<https://www.phoenixcontact.com/us/products/2811860>

Environmental product compliance

EU RoHS

Fulfills EU RoHS substance requirements	Yes
Exemption	7(a), 7(c)-I

China RoHS

Environment friendly use period (EFUP)	EFUP-50
	An article-related China RoHS declaration table can be found in the download area for the respective article under "Manufacturer declaration". For all articles with EFUP-E, no China RoHS declaration table issued and required.

EU REACH SVHC

REACH candidate substance (CAS No.)	Lead(CAS: 7439-92-1)
	2,2',6,6'-tetrabromo-4,4'-isopropylidenediphenol(CAS: 79-94-7)
SCIP	ab27d346-3f6b-4f08-851a-92fb1ad4b512

EF3.1 Climate Change

CO2e kg	10.448 kg CO2e
---------	----------------

Phoenix Contact 2026 © - all rights reserved
<https://www.phoenixcontact.com>

Phoenix Contact USA
586 Fulling Mill Road
Middletown, PA 17057, United States
(+717) 944-1300
info@phoenixcon.com