

# PT 4X1-48AC-ST - Surge protection plug



2804856

<https://www.phoenixcontact.com/us/products/2804856>

Please be informed that the data shown in this PDF document is generated from our online catalog. Please find the complete data in the user documentation. Our general terms of use for downloads are valid.



Protective plug PT with protective circuit for 4 conductors of signal circuits grounded on one side.  
Nominal voltage: 48 V AC

## Your advantages

- Easy testing and documentation with CHECKMASTER 2 with pluggable protective modules
- Maximum ease of maintenance, thanks to the 2-piece design
- Easy selection for all possible demands in MCR applications with a complete product portfolio
- The signal is not influenced during maintenance work, thanks to the impedance-neutral insertion and removal of protective plugs

## Commercial data

Item number	2804856
Packing unit	10 pc
Minimum order quantity	10 pc
Sales key	CL21
Product key	CL2111
GTIN	4046356339865
Weight per piece (including packing)	27.19 g
Weight per piece (excluding packing)	25.95 g
Customs tariff number	85363010
Country of origin	DE

# PT 4X1-48AC-ST - Surge protection plug

2804856

<https://www.phoenixcontact.com/us/products/2804856>

## Technical data

### Product properties

Product type	Surge protection for MCR technology
Product family	PLUGTRAB PT
IEC test classification	C1
	C2
	C3
	D1
Type	Male
Surge protection fault message	none
Arrester can be tested with CHECKMASTER from software version:	From SW rev. 3.17

### Insulation characteristics

Overvoltage category	III
Pollution degree	2

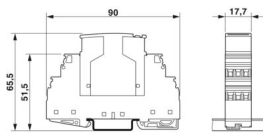
### Electrical properties

Nominal voltage $U_N$	48 V AC
-----------------------	---------

### Connection data

Connection method	Screw connection (in connection with the base element)
Screw thread	M3
Tightening torque	0.5 Nm
Conductor cross-section flexible	0.2 mm <sup>2</sup> ... 2.5 mm <sup>2</sup>
Conductor cross-section rigid	0.2 mm <sup>2</sup> ... 4 mm <sup>2</sup>
Conductor cross-section AWG	24 ... 12

### Dimensions

Dimensional drawing	
Width	17.7 mm
Height	45 mm
Depth	52 mm
Horizontal pitch	1 Div.
Complete module width	17.7 mm
Complete module height	90 mm
Complete module depth	65.5 mm

### Material specifications

# PT 4X1-48AC-ST - Surge protection plug



2804856

<https://www.phoenixcontact.com/us/products/2804856>

Color	black (RAL 9005)
Flammability rating according to UL 94	V-0
Housing material	PA 6.6

## Mechanical properties

### Mechanical data

Open side panel	No
-----------------	----

## Protective circuit

Direction of action	Line-Line & Line-Signal Ground/Shield & optional Signal Ground/Shield-Earth Ground
Nominal voltage $U_N$	48 V AC
Maximum continuous operating voltage $U_C$	77 V DC 55 V AC
Rated current	300 mA (45 °C)
Operating effective current $I_C$ at $U_C$	$\leq 5 \mu\text{A}$
Protective conductor current $I_{PE}$	$\leq 1 \mu\text{A}$ (with PT 4X1+F-BE) $\leq 20 \mu\text{A}$ (Directly grounded)
Nominal discharge current $I_n$ (8/20) $\mu\text{s}$ (line-ground)	10 kA
Pulse discharge current $I_{imp}$ (10/350) $\mu\text{s}$	2.5 kA (per path)
Total discharge current $I_{Total}$ (8/20) $\mu\text{s}$	20 kA
Max. discharge current $I_{max}$ (8/20) $\mu\text{s}$ maximum (line-earth)	10 kA (per path) 20 kA (in total)
Nominal pulse current $I_{an}$ (10/1000) $\mu\text{s}$ (line-earth)	12 A
Output voltage limitation at 1 kV/ $\mu\text{s}$ (line-earth) spike	$\leq 110 \text{ V}$ (with PT 4X1-BE) $\leq 600 \text{ V}$ (with PT 4X1+F-BE)
Output voltage limitation at 1 kV/ $\mu\text{s}$ (line-earth) static	$\leq 50 \text{ V}$ (with PT 4X1+F-BE)
Residual voltage at $I_n$ (conductor-ground)	$\leq 160 \text{ V}$ (spike) $\leq 110 \text{ V}$ (static)
Residual voltage with $I_{an}$ (10/1000) $\mu\text{s}$ (line-signal ground)	$\leq 125 \text{ V}$
Voltage protection level $U_p$ (line-earth)	$\leq 150 \text{ V}$ (C2 - 10 kV / 5 kA with PT 4X1-BE)
Voltage protection level $U_p$ static (line-earth)	$\leq 40 \text{ V}$ (C2 - 10 kV / 5 kA with PT 4X1-BE)
Response time $t_A$ (line-earth)	$\leq 1 \text{ ns}$ (with PT 4X1-BE) $\leq 100 \text{ ns}$ (with PT 4X1+F-BE)
Response time $t_A$ (line-signal ground)	$\leq 1 \text{ ns}$ (with PT 4X1+F-BE)
Input attenuation aE, asym.	0.5 dB ( $\leq 2.5 \text{ MHz}$ / 50 $\Omega$ ) 0.2 dB ( $\leq 0.5 \text{ MHz}$ / 150 $\Omega$ ) 0.1 dB ( $\leq 0.1 \text{ MHz}$ / 600 $\Omega$ )
Cut-off frequency $f_g$ (3 dB), asym. (PE) in 50 $\Omega$ system	typ. 10 MHz
Cut-off frequency $f_g$ (3 dB), asym. (PE) in 150 $\Omega$ system	typ. 3.5 MHz
Cut-off frequency $f_g$ (3 dB), asym. (PE) in 600 $\Omega$ system	typ. 900 kHz
Capacity (Core-Earth)	typ. 400 pF (with PT 4X1-BE) typ. 2 pF (with PT 4X1+F-BE)
Resistance per path	4.7 $\Omega \pm 10 \%$

# PT 4X1-48AC-ST - Surge protection plug



2804856

<https://www.phoenixcontact.com/us/products/2804856>

Surge protection fault message	none
Max. required back-up fuse	315 mA (T)
Impulse durability (line-earth)	C2 - 10 kV / 5 kA
	D1 - 2.5 kA

## Environmental and real-life conditions

### Ambient conditions

Degree of protection	IP20
Ambient temperature (operation)	-40 °C ... 85 °C
Ambient temperature (storage/transport)	-40 °C ... 85 °C
Altitude	≤ 2000 m (amsl)

## Standards and regulations

Standards/specifications	IEC 61643-21
Note	2000

## Mounting

Mounting type	on base element
---------------	-----------------

# PT 4X1-48AC-ST - Surge protection plug

2804856

<https://www.phoenixcontact.com/us/products/2804856>

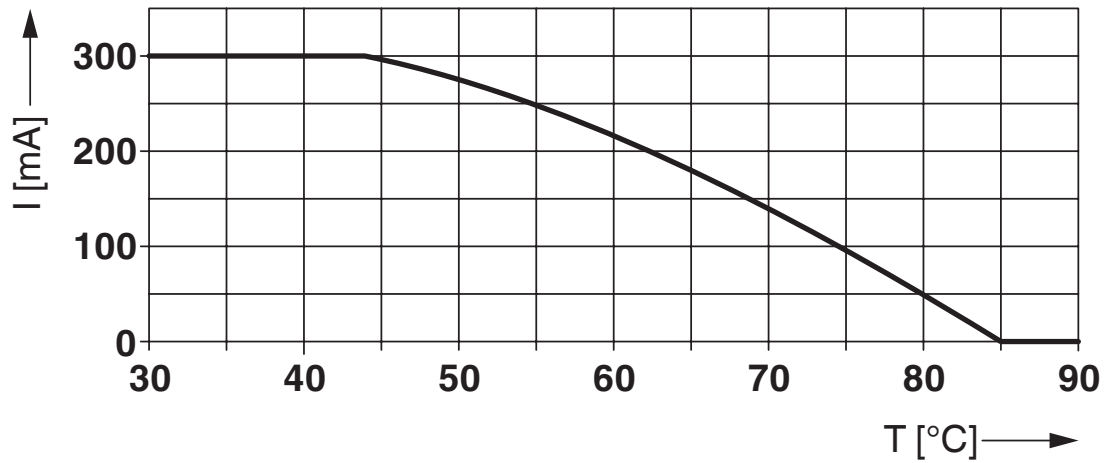
## Drawings

Dimensional drawing



The figure shows the complete module consisting of a base element and connector

Diagram



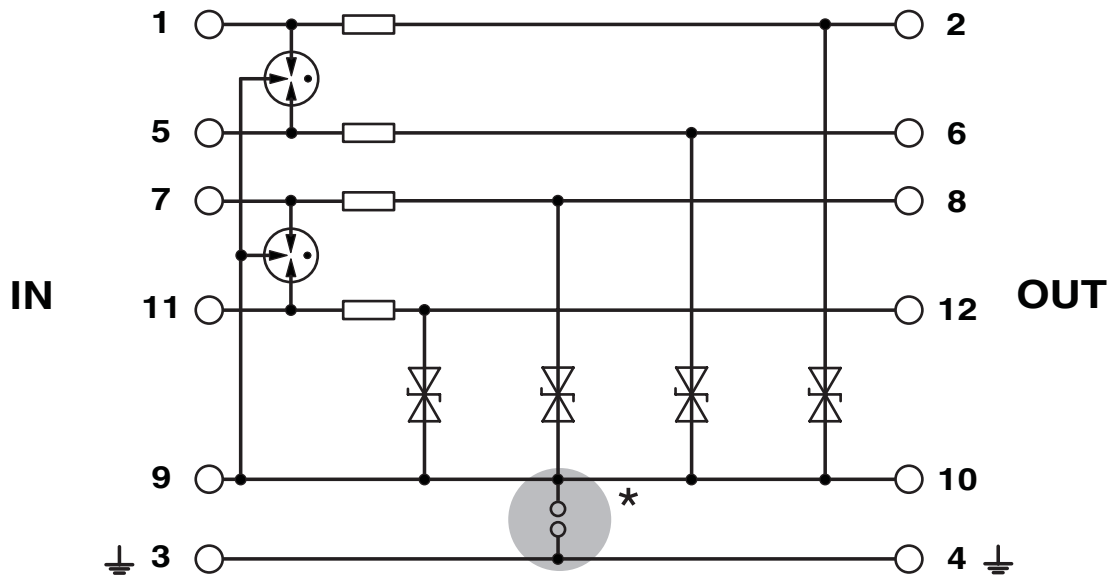
# PT 4X1-48AC-ST - Surge protection plug



2804856

<https://www.phoenixcontact.com/us/products/2804856>

Circuit diagram



# PT 4X1-48AC-ST - Surge protection plug



2804856

<https://www.phoenixcontact.com/us/products/2804856>

## Classifications

### ECLASS

ECLASS-13.0	27171501
ECLASS-15.0	27171501

### ETIM

ETIM 10.0	EC001466
-----------	----------

### UNSPSC

UNSPSC 21.0	39121600
-------------	----------

# PT 4X1-48AC-ST - Surge protection plug



2804856

<https://www.phoenixcontact.com/us/products/2804856>

## Environmental product compliance

### EU RoHS

Fulfills EU RoHS substance requirements	Yes
Exemption	7(a), 7(c)-I

### China RoHS

Environment friendly use period (EFUP)	EFUP-50
	An article-related China RoHS declaration table can be found in the download area for the respective article under "Manufacturer declaration". For all articles with EFUP-E, no China RoHS declaration table issued and required.

### EU REACH SVHC

REACH candidate substance (CAS No.)	Lead(CAS: 7439-92-1)
SCIP	abb24f8c-e2e2-4d6f-9a97-5648321969da

Phoenix Contact 2026 © - all rights reserved

<https://www.phoenixcontact.com>

Phoenix Contact USA  
586 Fulling Mill Road  
Middletown, PA 17057, United States  
(+717) 944-1300  
[info@phoenixcon.com](mailto:info@phoenixcon.com)