

# VAL-MS-T1/T2 48/12.5/1+1V-FM - Lightning/surge arrester type 1/2



2801533

<https://www.phoenixcontact.com/us/products/2801533>

Please be informed that the data shown in this PDF document is generated from our online catalog. Please find the complete data in the user documentation. Our general terms of use for downloads are valid.



Universal varistor-based plug-in lightning/surge arrester for 48 V DC applications with grounded return conductor (positive pole), without risk assessment for Lightning Protection Levels III and IV, with remote indication contact.

## Your advantages

- Quality proven millions of times over in the widest range of applications
- Rapid installation with bridges, thanks to industry-standard overall width of 1 HP
- Easy testing and insulation measurement, thanks to pluggable protection modules
- Surge protection for (-) 48 V DC in lightning protection level III and IV due to discharge capacity of 12.5 kA per position
- Vibration-resistant latching ensures the plug remains firmly in place

## Commercial data

Item number	2801533
Packing unit	1 pc
Minimum order quantity	1 pc
Sales key	CL18
Product key	CL1151
GTIN	4046356811323
Weight per piece (including packing)	283.1 g
Weight per piece (excluding packing)	260.5 g
Customs tariff number	85363030
Country of origin	DE

# VAL-MS-T1/T2 48/12.5/1+1V-FM - Lightning/surge arrester type 1/2



2801533

<https://www.phoenixcontact.com/us/products/2801533>

## Technical data

### Product properties

Product type	Arrester combination
Product family	VALVETRAB MS
IEC test classification	I / II T1 / T2
EN type	T1 / T2
IEC power supply system	TN-S
Type	DIN rail module, two-section, divisible
Number of positions	2
Surge protection fault message	Optical, remote indicator contact
Number of ports	One

### Insulation characteristics

Overvoltage category	III
Pollution degree	2

### Electrical properties

Nominal frequency $f_N$	50 Hz (60 Hz)
-------------------------	---------------

### Indicator/remote signaling

Connection name	Remote fault indicator contact
Switching function	Changeover contact
Operating voltage	5 V AC ... 250 V AC 125 V DC (200 mA DC)
Operating current	5 mA AC ... 1.5 A AC 1 A DC (30 V DC)

### Connection data

Connection method	Screw connection
Screw thread	M5
Tightening torque	3 Nm (1.5 mm <sup>2</sup> ... 16 mm <sup>2</sup> ) 4.5 Nm (25 mm <sup>2</sup> ... 35 mm <sup>2</sup> )
Stripping length	16 mm
Conductor cross-section flexible	1.5 mm <sup>2</sup> ... 25 mm <sup>2</sup>
Conductor cross-section rigid	1.5 mm <sup>2</sup> ... 35 mm <sup>2</sup>
Conductor cross-section AWG	15 ... 2
Connection method	Fork-type cable lug
Conductor cross-section flexible	1.5 mm <sup>2</sup> ... 16 mm <sup>2</sup>

### Remote fault indicator contact

Connection method	Plug-in/screw connection via COMBICON
-------------------	---------------------------------------

# VAL-MS-T1/T2 48/12.5/1+1V-FM - Lightning/surge arrester type 1/2



2801533

<https://www.phoenixcontact.com/us/products/2801533>

Screw thread	M2
Tightening torque	0.25 Nm
Stripping length	7 mm
Conductor cross-section flexible	0.14 mm <sup>2</sup> ... 1.5 mm <sup>2</sup>
Conductor cross-section rigid	0.14 mm <sup>2</sup> ... 1.5 mm <sup>2</sup>
Conductor cross-section AWG	28 ... 16

## Dimensions

Dimensional drawing	
Width	35.6 mm
Height	96.8 mm
Depth	77.5 mm (incl. DIN rail 7.5 mm)
Horizontal pitch	2 Div.

## Material specifications

Color	black (RAL 9005)
Flammability rating according to UL 94	V-0
CTI value of material	600
Insulating material	PA 6.6/PBT
Material group	I
Housing material	PA 6.6 PBT

## Mechanical properties

### Mechanical data

Open side panel	No
-----------------	----

## Protective circuit

Mode of protection	L-N
	L-PE
	N-PE
	(L+) - (L-)
	(L+) - PE
	(L-) - PE
Direction of action	L-L / L-PE
Nominal voltage $U_N$	60 V AC $\pm 10$ % (TN-S)
	60 V DC $\pm 10$ %
	-48 V DC $\pm 10$ % (RRH)

# VAL-MS-T1/T2 48/12.5/1+1V-FM - Lightning/surge arrester type 1/2



2801533

<https://www.phoenixcontact.com/us/products/2801533>

Nominal frequency $f_N$	50 Hz (60 Hz)
Maximum continuous operating voltage $U_C$	75 V AC
	100 V DC
Rated load current $I_L$	80 A
Protective conductor current $I_{PE}$	$\leq 0.6$ mA
Standby power consumption $P_C$	$\leq 90$ mVA
Nominal discharge current $I_n$ (8/20) $\mu$ s	12.5 kA
Maximum discharge current $I_{max}$ (8/20) $\mu$ s	30 kA
Impulse discharge current (10/350) $\mu$ s, charge	6.25 As
Impulse discharge current (10/350) $\mu$ s, specific energy	39 kJ/ $\Omega$
Impulse discharge current (10/350) $\mu$ s, peak value $I_{imp}$	12.5 kA
Total discharge current $I_{Total}$ (8/20) $\mu$ s	50 kA
Total discharge current $I_{Total}$ (10/350) $\mu$ s	12.5 kA
Short-circuit current rating $I_{SCCR}$	25 kA
Voltage protection level $U_p$ (L-N)	$\leq 0.4$ kV
Voltage protection level $U_p$ (L-PE)	$\leq 0.8$ kV
Voltage protection level $U_p$ (N-PE)	$\leq 0.4$ kV
Voltage protection level $U_p$ (L+) - (L-)	$\leq 0.4$ kV
Voltage protection level $U_p$ (L+) - PE	$\leq 0.4$ kV
Voltage protection level $U_p$ (L-) - PE	$\leq 0.8$ kV
Residual voltage $U_{res}$	$\leq 0.4$ kV (at $I_n$ )
	$\leq 0.35$ kV (at 10 kA)
	$\leq 0.3$ kV (at 5 kA)
	$\leq 0.275$ kV (at 4 kA)
	$\leq 0.25$ kV (at 3 kA)
TOV behavior at $U_T$	100 V AC (5 s / withstand mode)
	130 V DC (5 s / withstand mode)
Response time $t_A$	$\leq 25$ ns
Max. backup fuse with V-type through wiring	80 A (gG - 16 mm <sup>2</sup> )
Max. backup fuse with branch wiring	160 A (gG)

## Additional technical data

Maximum discharge current $I_{max}$ (8/20) $\mu$ s	65 kA
--	-------

## Environmental and real-life conditions

### Ambient conditions

Degree of protection	IP20 (only when all terminal points are used)
Ambient temperature (operation)	-40 °C ... 80 °C
Ambient temperature (storage/transport)	-40 °C ... 80 °C
Altitude	$\leq 2000$ m (amsl)
Permissible humidity (operation)	5 % ... 95 %
Shock (operation)	30g (Half-sine / 11 ms / 3x $\pm$ X, $\pm$ Y, $\pm$ Z)

# VAL-MS-T1/T2 48/12.5/1+1V-FM - Lightning/surge arrester type 1/2



2801533

<https://www.phoenixcontact.com/us/products/2801533>

Vibration (operation)	7.5g (10 ... 500 Hz / 2.5 h / X, Y, Z)
-----------------------	--

## Approvals

### UL specifications

Maximum continuous operating voltage MCOV (L+) - (L-)	100 V DC
Maximum continuous operating voltage MCOV (L+) - G	100 V DC
Maximum continuous operating voltage MCOV (L-) - G	100 V DC
Short-circuit current rating (SCCR)	5 kA
Voltage protection rating VPR (L+) - (L-)	400 V
Voltage protection rating VPR (L+) - G	400 V
Voltage protection rating VPR (L-) - G	600 V
Nominal discharge current $I_n$ (L+) - (L-)	20 kA
Nominal discharge current $I_n$ (L+) - G	20 kA
Nominal discharge current $I_n$ (L-) - G	20 kA
Mode of protection	(L+) - (L-) (L+) - G (L-) - G
Nominal voltage	60 V DC
SPD Type	1CA

### UL indicator/remote signaling

Operating voltage	125 V AC
AC operating current	1 A AC

### UL connection data

Tightening torque	30 lb <sub>F</sub> -in.
Conductor cross-section AWG	14 ... 2

## Standards and regulations

Standards/specifications	IEC 61643-11
Note	2011
Standards/specifications	EN 61643-11
Note	2012

## Mounting

Mounting type	DIN rail: 35 mm
---------------	-----------------

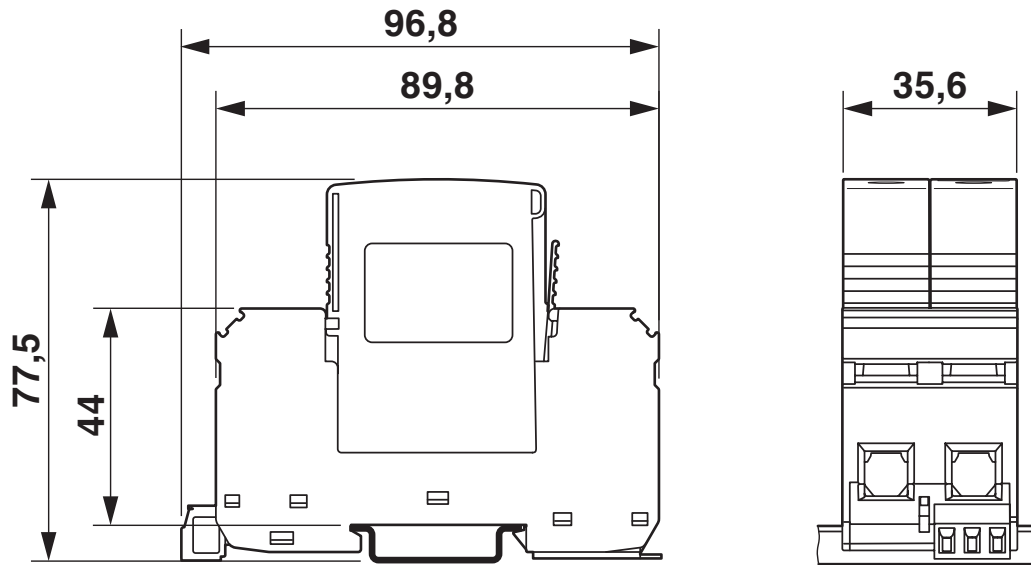
# VAL-MS-T1/T2 48/12.5/1+1V-FM - Lightning/surge arrester type 1/2

2801533

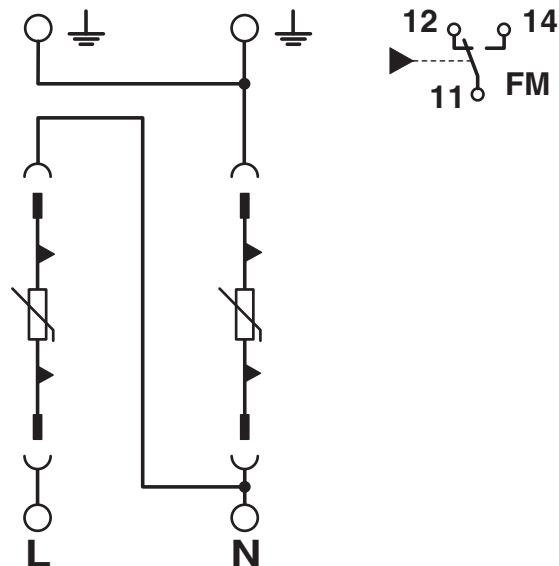
<https://www.phoenixcontact.com/us/products/2801533>

## Drawings

Dimensional drawing



Circuit diagram



# VAL-MS-T1/T2 48/12.5/1+1V-FM - Lightning/surge arrester type 1/2



2801533

<https://www.phoenixcontact.com/us/products/2801533>

## Approvals

To download certificates, visit the product detail page: <https://www.phoenixcontact.com/us/products/2801533>



**cUL Recognized**  
Approval ID: FILE E 330181



**UL Recognized**  
Approval ID: FILE E 330181



**IECEE CB Scheme**  
Approval ID: DE1-54090

**CCA**

Approval ID: DE1-34421



**KEMA-KEUR**  
Approval ID: 2168290.01



**VDE Zeichengenehmigung**  
Approval ID: 40037097

**UAE-RoHS**

Approval ID: 23-10-88705

# VAL-MS-T1/T2 48/12.5/1+1V-FM - Lightning/surge arrester type 1/2



2801533

<https://www.phoenixcontact.com/us/products/2801533>

## Classifications

### ECLASS

ECLASS-13.0	27171201
ECLASS-15.0	27171201

### ETIM

ETIM 10.0	EC000381
-----------	----------

### UNSPSC

UNSPSC 21.0	39121600
-------------	----------

# VAL-MS-T1/T2 48/12.5/1+1V-FM - Lightning/surge arrester type 1/2



2801533

<https://www.phoenixcontact.com/us/products/2801533>

## Environmental product compliance

### EU RoHS

Fulfills EU RoHS substance requirements	Yes, No exemptions
---	--------------------

### China RoHS

Environment friendly use period (EFUP)	EFUP-E
	No hazardous substances above the limits

### EU REACH SVHC

REACH candidate substance (CAS No.)	No substance above 0.1 wt%
-------------------------------------	----------------------------

### EF3.1 Climate Change

CO2e kg	4.664 kg CO2e
---------	---------------

Phoenix Contact 2026 © - all rights reserved  
<https://www.phoenixcontact.com>

Phoenix Contact USA  
586 Fulling Mill Road  
Middletown, PA 17057, United States  
(+717) 944-1300  
[info@phoenixcon.com](mailto:info@phoenixcon.com)