

VAL-MS BE-AR - Surge protection base-element

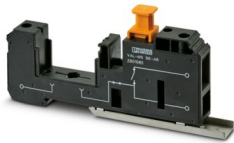


2801065

<https://www.phoenixcontact.com/us/products/2801065>

Please be informed that the data shown in this PDF document is generated from our online catalog. Please find the complete data in the user documentation. Our general terms of use for downloads are valid.

Base element for Type 1 and Type 2 surge arresters of the VAL-MS series, with separate field and house termination, tool-free isolation disconnect, and test point. Design: 1-channel, bridgeable.



Your advantages

- Separate field and house wire termination
- Tool-free field wire disconnect and test point
- IP20 touch safe when connected
- Coding when protective plug is inserted for the first time
- Tested for railway applications

Commercial data

Item number	2801065
Packing unit	10 pc
Minimum order quantity	1 pc
Note	Made to order (non-returnable)
Sales key	CL18
Product key	CL1151
GTIN	4046356726788
Weight per piece (including packing)	142.33 g
Weight per piece (excluding packing)	142.33 g
Customs tariff number	85363010
Country of origin	US

VAL-MS BE-AR - Surge protection base-element



2801065

<https://www.phoenixcontact.com/us/products/2801065>

Technical data

Product properties

Product type	Base element
Product family	VALVETRAB MS
Type	DIN rail module, two-section, divisible
Number of positions	1
Surge protection fault message	optical

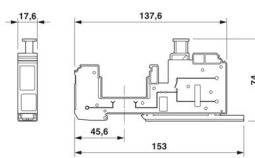
Electrical properties

Nominal frequency f_N	50 Hz (60 Hz)
Nominal voltage U_N	500 V AC
Nominal current I_N	76 A (at 30 °C ambient temperature)

Connection data

Connection method	Screw terminal block
Tightening torque	3 Nm ... 4.5 Nm (Ground)
	1.5 Nm ... 1.8 Nm (House)
	2.5 Nm ... 3 Nm (Field)
Conductor cross-section flexible	1.5 mm ² ... 35 mm ² (16 mm strip length)
	0.5 mm ² ... 15 mm ² (10 mm strip length)
	1.5 mm ² ... 25 mm ² (14 mm strip length)
Conductor cross-section rigid	1.5 mm ² ... 35 mm ² (16 mm strip length)
	0.5 mm ² ... 15 mm ² (10 mm strip length)
	1.5 mm ² ... 25 mm ² (14 mm strip length)
Conductor cross-section AWG	15 ... 2 (16 mm strip length)
	20 ... 6 (10 mm strip length)
	12 ... 4 (14 mm strip length)

Dimensions

Dimensional drawing	
Width	17.7 mm
Height	153 mm
Depth	75 mm

Material specifications

Color	black (RAL 9005)
	black (RAL 9005)
Flammability rating according to UL 94	V0

VAL-MS BE-AR - Surge protection base-element



2801065

<https://www.phoenixcontact.com/us/products/2801065>

Housing material	PA
------------------	----

Mechanical properties

Mechanical data

Open side panel	No
-----------------	----

Protective circuit

Direction of action	1L-N/PE
Nominal frequency f_N	50 Hz (60 Hz)
Rated load current I_L	55 A (with 6 AWG)
Total surge current (10/350) μ s	15 kA
Total surge current (8/20) μ s	100 kA

Environmental and real-life conditions

Ambient conditions

Degree of protection	IP20 (when disconnect closed) IP20
Ambient temperature (operation)	-40 °C ... 80 °C
Altitude	max. 3000 m
Permissible humidity (operation)	5 % ... 95 %
Permissible humidity (storage/transport)	5 % ... 95 %
Shock (operation)	10g
Vibration (operation)	2g (0 Hz ... 200 Hz)

Approvals

UL specifications

Maximum Surge Current per Phase	100 kA
---------------------------------	--------

Mounting

Mounting type	DIN rail mounting with additional retaining screw
Mounting position	As desired on 35 mm DIN rail in acc. with EN 60715

VAL-MS BE-AR - Surge protection base-element

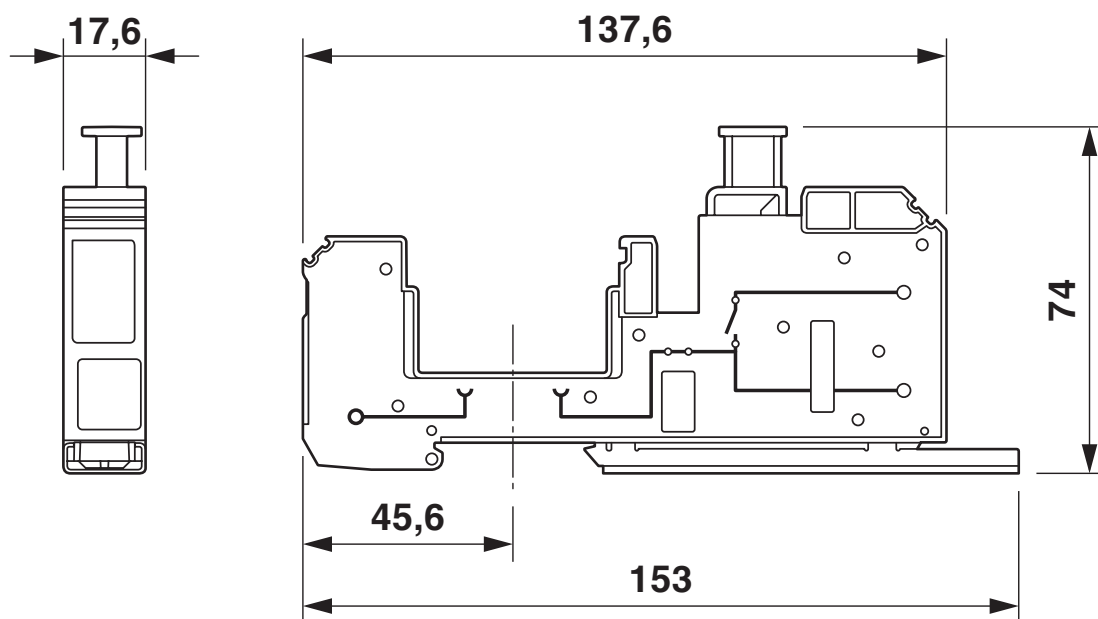


2801065

<https://www.phoenixcontact.com/us/products/2801065>

Drawings

Dimensional drawing



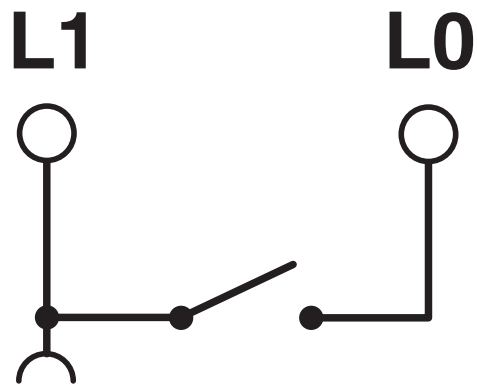
VAL-MS BE-AR - Surge protection base-element

2801065

<https://www.phoenixcontact.com/us/products/2801065>



Circuit diagram



N/PEN

VAL-MS BE-AR - Surge protection base-element



2801065

<https://www.phoenixcontact.com/us/products/2801065>

Classifications

ECLASS

ECLASS-13.0	27171292
ECLASS-15.0	27171292

ETIM

ETIM 9.0	EC002496
----------	----------

UNSPSC

UNSPSC 21.0	39121620
-------------	----------

VAL-MS BE-AR - Surge protection base-element



2801065

<https://www.phoenixcontact.com/us/products/2801065>

Environmental product compliance

EU RoHS

Fulfills EU RoHS substance requirements	Not applicable, Not qualified for the European market
---	---

China RoHS

Environment friendly use period (EFUP)	EFUP-50
	An article-related China RoHS declaration table can be found in the download area for the respective article under "Manufacturer declaration". For all articles with EFUP-E, no China RoHS declaration table issued and required.

EU REACH SVHC

REACH candidate substance (CAS No.)	Lead(CAS: 7439-92-1)
-------------------------------------	----------------------

Phoenix Contact 2026 © - all rights reserved
<https://www.phoenixcontact.com>

Phoenix Contact USA
586 Fulling Mill Road
Middletown, PA 17057, United States
(+717) 944-1300
info@phoenixcon.com