

# VAL-MS-T1/T2 175/12.5/1+0 - Lightning/surge arrester type 1/2



2801043

<https://www.phoenixcontact.com/us/products/2801043>

Please be informed that the data shown in this PDF document is generated from our online catalog. Please find the complete data in the user documentation. Our general terms of use for downloads are valid.



Universal varistor-based plug-in lightning/surge arrester for 1-phase power supply networks with common N and PE (2-conductor system: L1, PEN).

## Commercial data

Item number	2801043
Packing unit	1 pc
Note	Made to order (non-returnable)
Sales key	CL18
Product key	CL1151
GTIN	4046356698160
Weight per piece (including packing)	168 g
Weight per piece (excluding packing)	168 g
Customs tariff number	85363030
Country of origin	DE

# VAL-MS-T1/T2 175/12.5/1+0 - Lightning/surge arrester type 1/2

2801043

<https://www.phoenixcontact.com/us/products/2801043>

## Technical data

### Product properties

Product type	Arrester combination
Product family	VALVETRAB MS
IEC test classification	I / II
EN type	T1 / T2
IEC power supply system	TN-S TN-C TT
Type	DIN rail module, two-section, divisible
Surge protection fault message	optical
Number of ports	One

### Insulation characteristics

Overvoltage category	III
Pollution degree	2

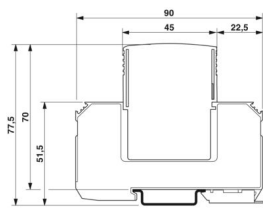
### Electrical properties

Nominal frequency $f_N$	50 Hz (60 Hz)
Nominal voltage $U_N$	120 V AC

### Connection data

Connection method	Screw connection
Screw thread	M5
Tightening torque	4.5 Nm
Stripping length	16 mm
Conductor cross-section flexible	1.5 mm <sup>2</sup> ... 25 mm <sup>2</sup>
Conductor cross-section rigid	1.5 mm <sup>2</sup> ... 35 mm <sup>2</sup>
Conductor cross-section AWG	15 ... 2

### Dimensions

Dimensional drawing	
Width	17.5 mm
Height	90 mm
Depth	77.5 mm

# VAL-MS-T1/T2 175/12.5/1+0 - Lightning/surge arrester type 1/2



2801043

<https://www.phoenixcontact.com/us/products/2801043>

Horizontal pitch	1 Div.
------------------	--------

## Material specifications

Flammability rating according to UL 94	V-0
CTI value of material	600
Insulating material	PA 6.6/PBT
Material group	I
Housing material	PA 6.6 PBT

## Mechanical properties

### Mechanical data

Open side panel	No
-----------------	----

## Protective circuit

Mode of protection	L-N
	L-PEN
Direction of action	L-N / L-PEN
Nominal voltage $U_N$	120 V AC (TN-C, TN-S)
	120 V AC (TT)
Nominal frequency $f_N$	50 Hz (60 Hz)
Maximum continuous operating voltage $U_C$	175 V AC
Rated load current $I_L$	80 A
Protective conductor current $I_{PE}$	$\leq 800 \mu\text{A}$
Standby power consumption $P_C$	$\leq 140 \text{ mVA}$
Nominal discharge current $I_n$ (8/20) $\mu\text{s}$	12.5 kA
Maximum discharge current $I_{\text{max}}$ (8/20) $\mu\text{s}$	50 kA
Impulse discharge current (10/350) $\mu\text{s}$ , charge	6.25 As
Impulse discharge current (10/350) $\mu\text{s}$ , specific energy	39 kJ/ $\Omega$
Impulse discharge current (10/350) $\mu\text{s}$ , peak value $I_{\text{imp}}$	12.5 kA
Total discharge current $I_{\text{Total}}$ (8/20) $\mu\text{s}$	12.5 kA
Total discharge current $I_{\text{Total}}$ (10/350) $\mu\text{s}$	12.5 kA
Short-circuit current rating $I_{\text{SCCR}}$	25 kA
Voltage protection level $U_p$	$\leq 0.8 \text{ kV}$
Residual voltage $U_{\text{res}}$	$\leq 0.8 \text{ kV}$ (at $I_n$ )
	$\leq 1.5 \text{ kV}$ (at 30 kA)
	$\leq 0.7 \text{ kV}$ (at 10 kA)
	$\leq 0.6 \text{ kV}$ (at 5 kA)
	$\leq 0.55 \text{ kV}$ (at 3 kA)
TOV behavior at $U_T$	208 V AC (5 s / withstand mode)
Response time $t_A$	$\leq 25 \text{ ns}$
Max. backup fuse with V-type through wiring	80 A (gG - 16 mm <sup>2</sup> )

# VAL-MS-T1/T2 175/12.5/1+0 - Lightning/surge arrester type 1/2



2801043

<https://www.phoenixcontact.com/us/products/2801043>

Max. backup fuse with branch wiring	160 A (gG)
-------------------------------------	------------

## Environmental and real-life conditions

### Ambient conditions

Degree of protection	IP20 (only when all terminal points are used) IP20
Ambient temperature (operation)	-40 °C ... 80 °C
Ambient temperature (storage/transport)	-40 °C ... 80 °C
Altitude	≤ 2000 m (amsl)
Permissible humidity (operation)	5 % ... 95 %
Shock (operation)	30g
Vibration (operation)	7.5g

## Standards and regulations

### Air clearances and creepage distances

Standards/regulations	EN 60664-1 / EN 61643-11
Standards/specifications	IEC 61643-11
Note	2011
Standards/specifications	EN 61643-11
Note	2012

## Mounting

Mounting type	DIN rail: 35 mm
---------------	-----------------

# VAL-MS-T1/T2 175/12.5/1+0 - Lightning/surge arrester type 1/2

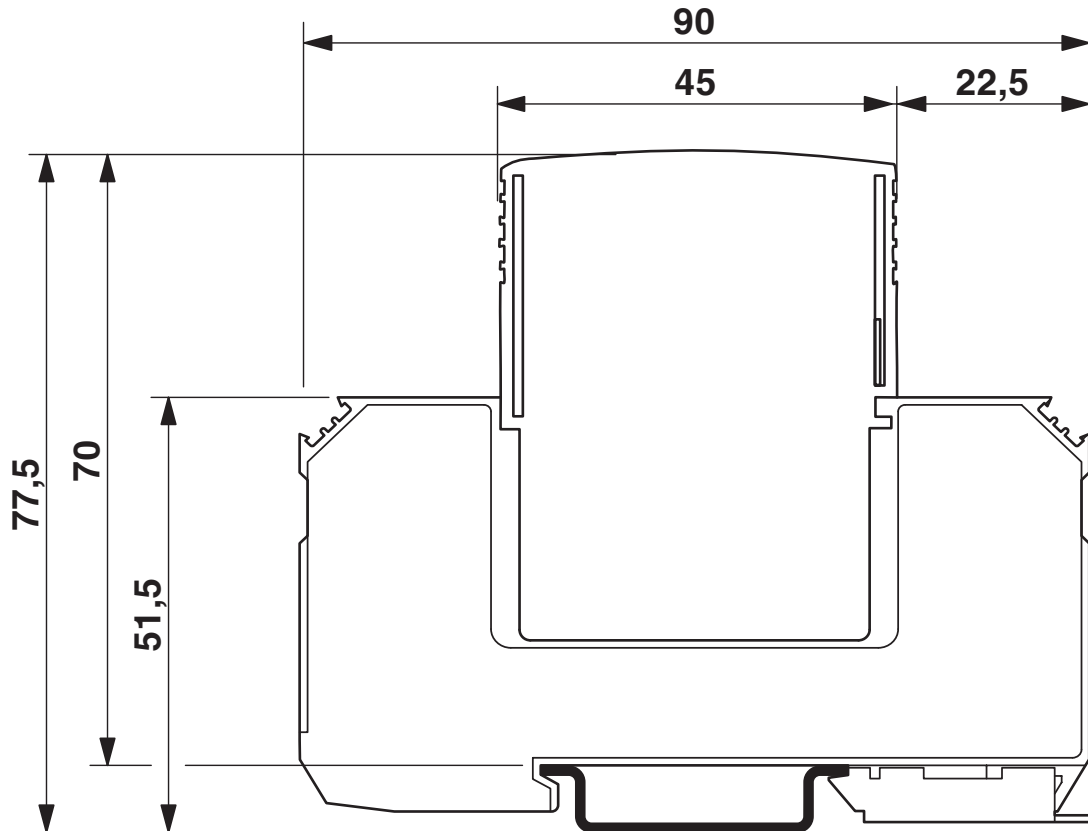


2801043

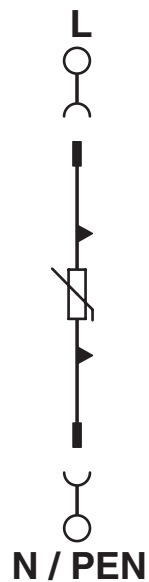
<https://www.phoenixcontact.com/us/products/2801043>

## Drawings

Dimensional drawing



Circuit diagram



# VAL-MS-T1/T2 175/12.5/1+0 - Lightning/surge arrester type 1/2



2801043

<https://www.phoenixcontact.com/us/products/2801043>

## Environmental product compliance

EU REACH SVHC

REACH candidate substance (CAS No.)	No substance above 0.1 wt%
-------------------------------------	----------------------------

Phoenix Contact 2026 © - all rights reserved

<https://www.phoenixcontact.com>

Phoenix Contact USA  
586 Fulling Mill Road  
Middletown, PA 17057, United States  
(+717) 944-1300  
[info@phoenixcon.com](mailto:info@phoenixcon.com)