

PT 2-PE/S-60AC/FM - Type 3 surge protection device



2800961

<https://www.phoenixcontact.com/us/products/2800961>

Please be informed that the data shown in this PDF document is generated from our online catalog. Please find the complete data in the user documentation. Our general terms of use for downloads are valid.



The figure shows the PT 2-PE/S-230AC/FM version

Pluggable type 3 arrester (device protection) for single-phase power supply networks with separate N and PE (3-conductor system: L1, N, PE) with remote indication contact.

Commercial data

Item number	2800961
Packing unit	1 pc
Note	Made to order (non-returnable)
Sales key	NULL
Product key	CL1411
GTIN	4046356660266
Weight per piece (including packing)	72.82 g
Weight per piece (excluding packing)	72.82 g
Customs tariff number	85363030
Country of origin	DE

PT 2-PE/S-60AC/FM - Type 3 surge protection device



2800961

<https://www.phoenixcontact.com/us/products/2800961>

Technical data

Product properties

Product type	Device protection
Product family	PLUGTRAB PT
IEC power supply system	TT
	TN-S
Type	DIN rail module, two-section, divisible
Number of positions	2
Surge protection fault message	Optical, remote indicator contact
IEC test classification	III
	T3
EN type	T3

Electrical properties

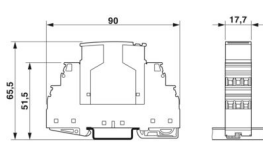
Indicator/remote signaling

Connection name	Remote fault indicator contact
Switching function	N/C contact
Maximum operating voltage $U_{max. AC}$	250 V
Max. operating current I_{max}	3 A AC

Connection data

Connection method	Screw connection
Screw thread	M3
Tightening torque, min	0.5 Nm
Conductor cross-section flexible min.	0.2 mm ²
Conductor cross-section flexible max.	2.5 mm ²
Conductor cross-section, rigid min.	0.2 mm ²
Conductor cross-section, rigid max.	4 mm ²

Dimensions

Dimensional drawing	
Width	17.7 mm
Height	90 mm
Depth	65.5 mm
Horizontal pitch	1 Div.

Material specifications

Flammability rating according to UL 94	V0
--	----

PT 2-PE/S-60AC/FM - Type 3 surge protection device



2800961

<https://www.phoenixcontact.com/us/products/2800961>

Housing material	PA
------------------	----

Protective circuit

Direction of action	1L-N & N-PE
Nominal frequency f_N	50 Hz 60 Hz
Maximum continuous operating voltage U_C	100 V AC 95 V DC
Rated load current I_L	26 A (30 °C)
Protective conductor current I_{PE}	$\leq 1.5 \mu\text{A}$
Nominal discharge current I_n (8/20) μs	2.5 kA
Nominal discharge current I_n (8/20) μs (L-N)	2.5 kA
Nominal discharge current I_n (8/20) μs (L/N-PE)	2.5 kA
Maximum discharge current I_{max} (8/20) μs	6.5 kA
Voltage protection level U_p (L-N)	$\leq 400 \text{ V}$
Voltage protection level U_p (L/N-PE)	$\leq 700 \text{ V}$
Residual voltage at I_n	$\leq 420 \text{ V}$
Response time t_A (L-N)	$\leq 25 \text{ ns}$
Response time t_A (L-PE)	$\leq 100 \text{ ns}$
Response time t_A (N-PE)	$\leq 100 \text{ ns}$
Max. required back-up fuse	25 A (gL) 25 A (MCB B/C)
Short-circuit current rating I_p with max. backup fuse (r.m.s.)	1.5 kA

Environmental and real-life conditions

Ambient conditions

Degree of protection	IP20
Ambient temperature (operation)	-40 °C ... 85 °C

Standards and regulations

Air clearances and creepage distances

Standards/regulations	IEC 60664-1
Standards/specifications	IEC 61643-1
Note	2005
Standards/specifications	EN 61643-11/A11
Note	2007
Standards/specifications	UL 1449
Note	ed. 2

Mounting

Mounting type	DIN rail: 35 mm
---------------	-----------------

PT 2-PE/S-60AC/FM - Type 3 surge protection device

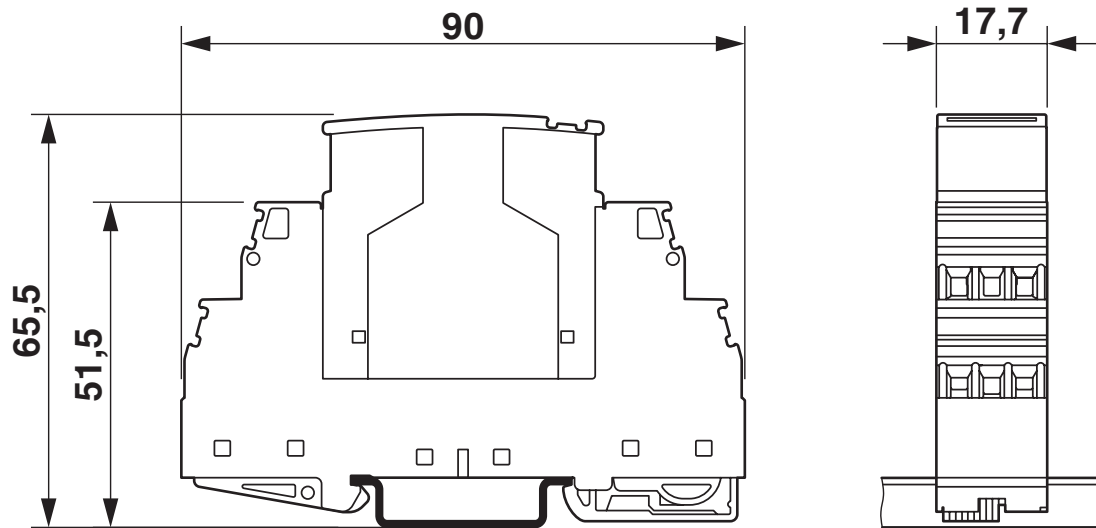


2800961

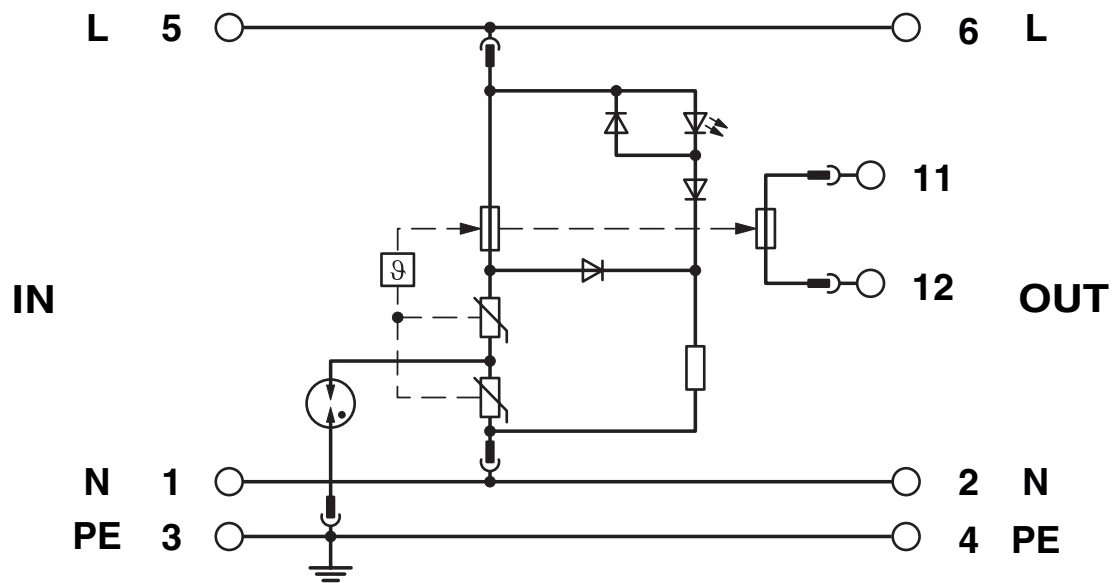
<https://www.phoenixcontact.com/us/products/2800961>

Drawings

Dimensional drawing



Circuit diagram



PT 2-PE/S-60AC/FM - Type 3 surge protection device



2800961

<https://www.phoenixcontact.com/us/products/2800961>

Environmental product compliance

EU REACH SVHC

REACH candidate substance (CAS No.)	
-------------------------------------	--

	No substance above 0.1 wt%
--	----------------------------

Phoenix Contact 2026 © - all rights reserved

<https://www.phoenixcontact.com>

Phoenix Contact USA
586 Fulling Mill Road
Middletown, PA 17057, United States
(+717) 944-1300
info@phoenixcon.com