

# PT-IQ-PTB-UT - Supply and remote module



2800768

<https://www.phoenixcontact.com/us/products/2800768>

Please be informed that the data shown in this PDF document is generated from our online catalog. Please find the complete data in the user documentation. Our general terms of use for downloads are valid.



Module for power supply and multi-stage, floating remote signaling of connected surge protection modules.

## Your advantages

- Predictive monitoring with 3-stage LED display
- Integration of the status message into the system controller via group remote signaling
- Install quickly and error-free with DIN rail connectors
- Supply of up to 28 protective devices due to high feed-in power
- Maximum ease of maintenance, thanks to the 2-piece design

## Commercial data

Item number	2800768
Packing unit	1 pc
Minimum order quantity	1 pc
Sales key	CL22
Product key	CL2151
GTIN	4046356647984
Weight per piece (including packing)	124 g
Weight per piece (excluding packing)	78 g
Customs tariff number	85363010
Country of origin	DE

## Technical data

### Notes

General	Remote signaling as well as the power supply of the DIN rail connector are established by snapping the module into place on the DIN rail connector.
---------	---

### General

Note	Remote signaling as well as the power supply of the DIN rail connector are established by snapping the module into place on the DIN rail connector.
------	---

### Product properties

Product type	Surge protection for MCR technology
Product family	PLUGTRAB IQ
Type	DIN rail module, two-section, divisible

### Insulation characteristics

Overvoltage category	II
Pollution degree	2

### Electrical properties

#### Indicator/remote signaling

Switching function	2x N/C contacts
--------------------	-----------------

#### Supply: Status indicator/remote signaling

Operating voltage	20 V DC ... 30 V DC
Rated current	max. 130 mA (24 V DC)
	max. 160 mA (20 V DC)
Max. required back-up fuse	500 mA (T)
Number of surge protection modules that can be mounted side by side	28 (32 °C)

### Connection data

Connection method	Screw connection
Screw thread	M3
Tightening torque	0.5 Nm
Conductor cross-section flexible	0.2 mm <sup>2</sup> ... 2.5 mm <sup>2</sup>
Conductor cross-section rigid	0.2 mm <sup>2</sup> ... 4 mm <sup>2</sup>
Conductor cross-section AWG	24 ... 12

### Ex data

Altitude	≤ 2000 m (amsl)
Ambient temperature (operation)	-40 °C ... 50 °C (T6)
	-40 °C ... 70 °C (T4)
Number of surge protection modules that can be mounted side	max. 10

# PT-IQ-PTB-UT - Supply and remote module

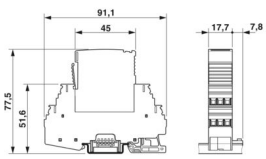


2800768

<https://www.phoenixcontact.com/us/products/2800768>

by side	
Operating voltage	20 V DC ... 30 V DC
Nominal current $I_N$	max. 130 mA (at 20 V DC)
max. input voltage $U_m$	35 V DC
Maximum switching voltage $U_m$	60 V DC

## Dimensions

Dimensional drawing	
Width	17.7 mm
Height	91.1 mm
Depth	77.5 mm (incl. DIN rail 7.5 mm)
Horizontal pitch	1 Div.

## Material specifications

Color	black (RAL 9005)
Flammability rating according to UL 94	V-0
Housing material	PA 6.6

## Mechanical properties

### Mechanical data

Open side panel	No
-----------------	----

## Protective circuit

Surge protection fault message	Optical, multi-stage remote indication contact
Max. required back-up fuse	500 mA (F)

## Environmental and real-life conditions

### Ambient conditions

Degree of protection	IP20
Ambient temperature (operation)	-40 °C ... 70 °C
Ambient temperature (storage/transport)	-40 °C ... 85 °C
Altitude	≤ 4000 m (amsl)
Permissible humidity (operation)	5 % ... 95 %

## Standards and regulations

Standards/specifications	EN 61000-6-2
Note	2005
Standards/specifications	EN 61000-6-3
Note	2007 + A1:2011

# PT-IQ-PTB-UT - Supply and remote module



2800768

<https://www.phoenixcontact.com/us/products/2800768>

Standards/specifications	EN 60950-1
Note	2006 + A2:2013
Standards/specifications	EN 60079-0
Note	2018
Standards/specifications	EN 60079-11
Note	2012
Standards/specifications	EN 60079-15
Note	2010
Standards/specifications	IEC 60079-0
Note	2017
Standards/specifications	IEC 60079-11
Note	2011
Standards/specifications	IEC 60079-15
Note	2010
Standards/specifications	GB/T 3836.1
Note	2021
Standards/specifications	GB/T 3836.3
Note	2021
Standards/specifications	GB/T 3836.4
Note	2021
Standards/specifications	GB/T 3836.8
Note	2021

## Mounting

Mounting type	DIN rail: 35 mm
---------------	-----------------

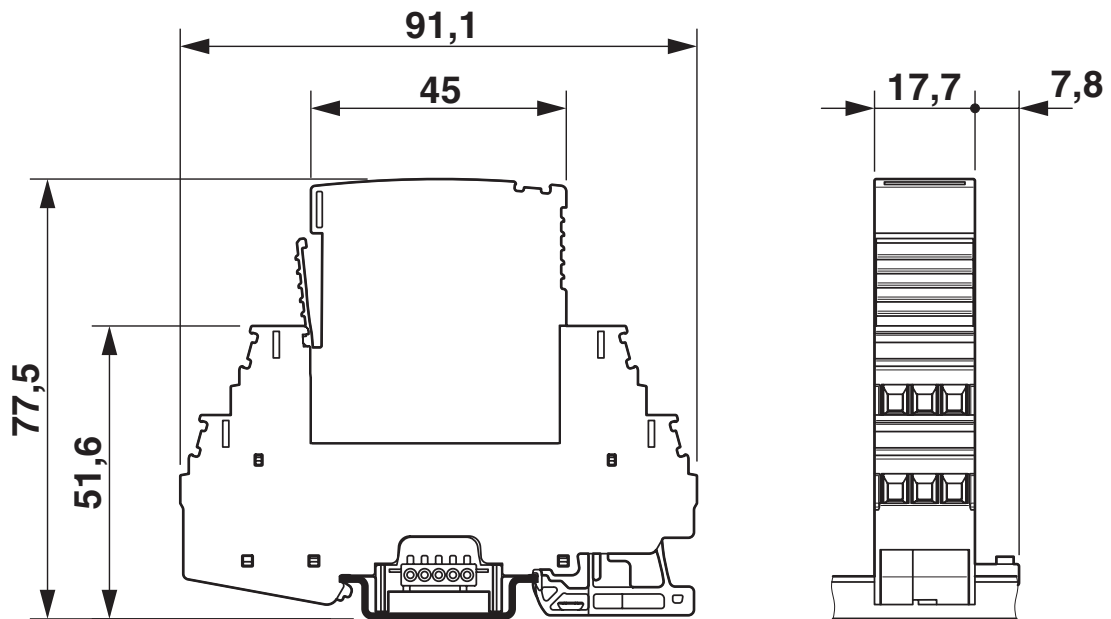
# PT-IQ-PTB-UT - Supply and remote module

2800768

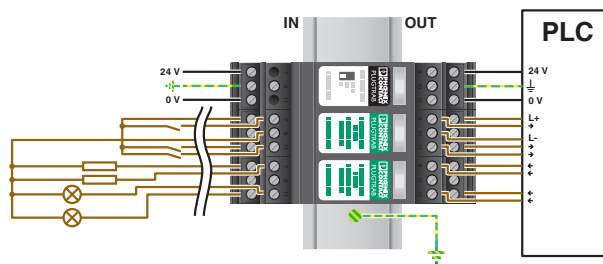
<https://www.phoenixcontact.com/us/products/2800768>

## Drawings

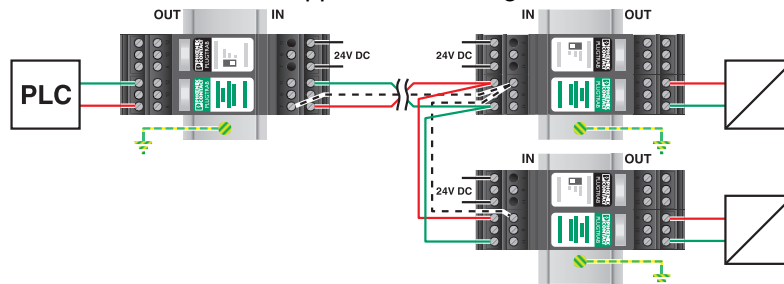
Dimensional drawing



Application drawing



Application drawing



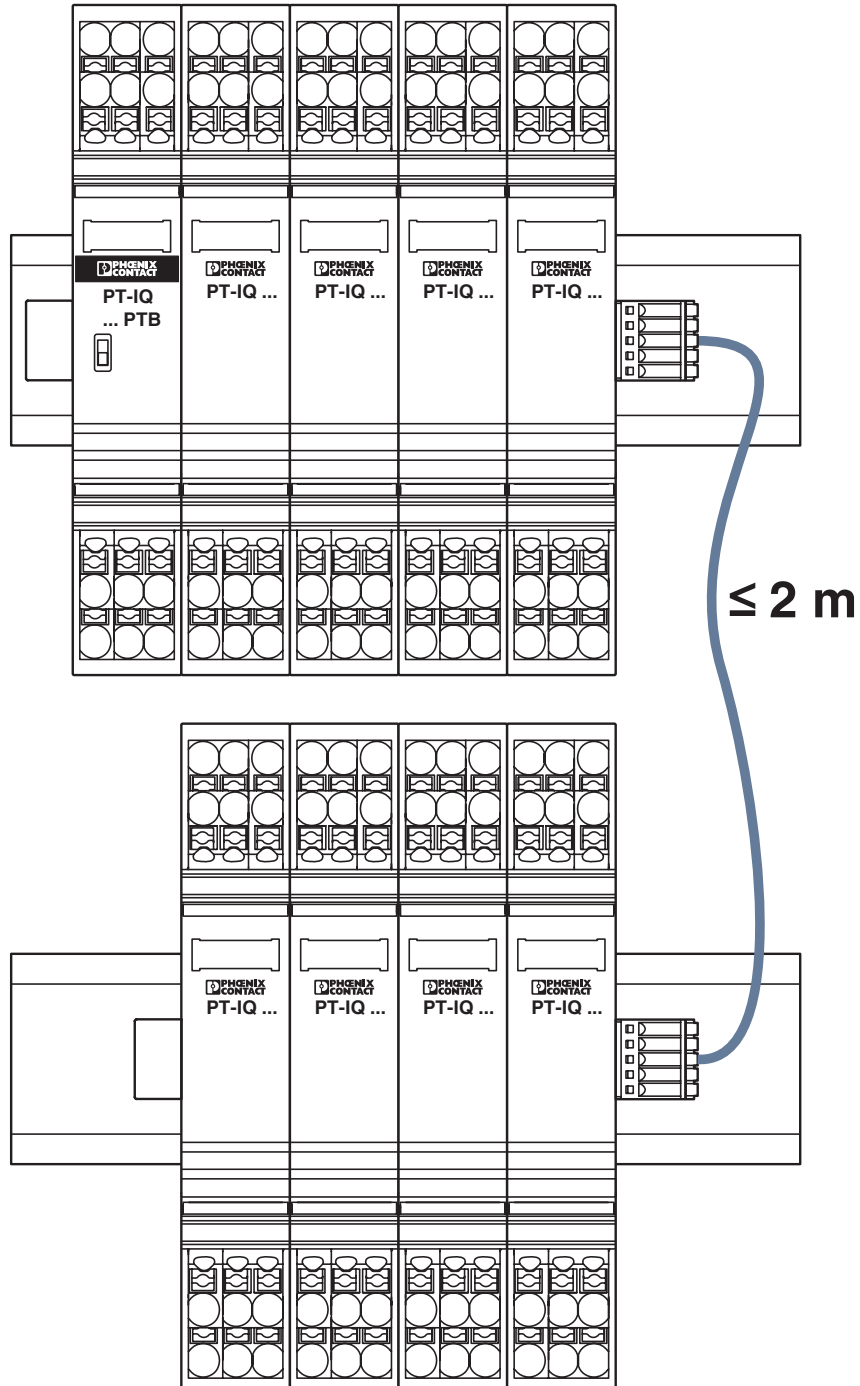
# PT-IQ-PTB-UT - Supply and remote module

2800768

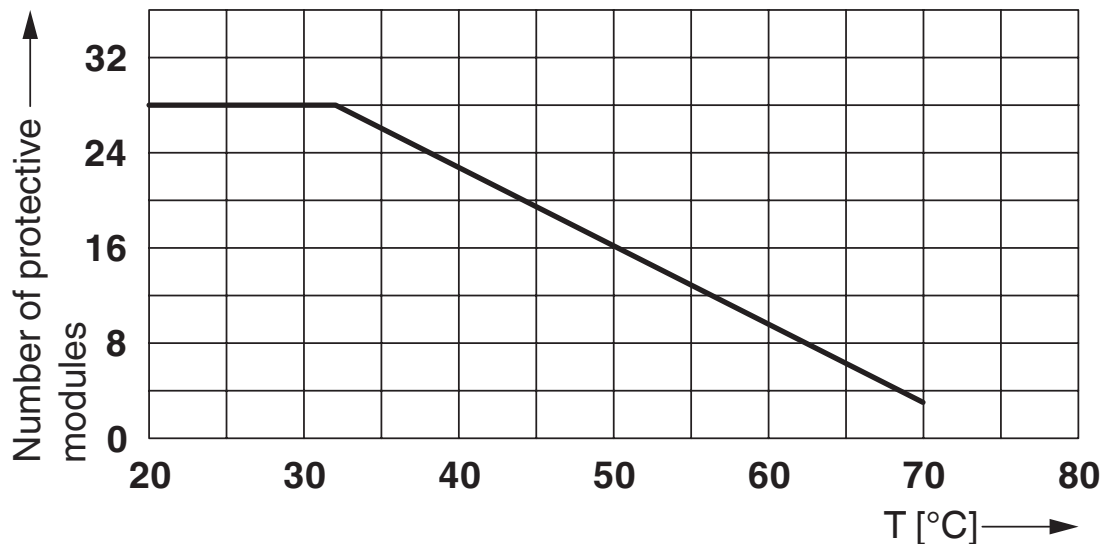
<https://www.phoenixcontact.com/us/products/2800768>



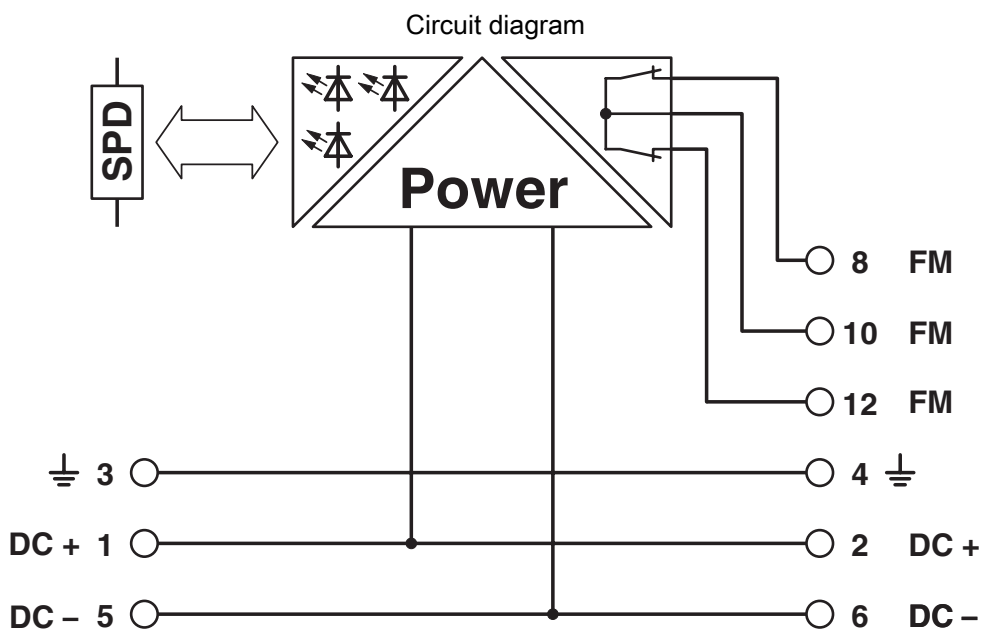
Schematic diagram



Diagram



Alignable protection modules depending on the ambient temperature in "non-Ex" installations



2800768

<https://www.phoenixcontact.com/us/products/2800768>

## Approvals

To download certificates, visit the product detail page: <https://www.phoenixcontact.com/us/products/2800768>



**CSA**

Approval ID: 2761632



**UL Listed**

Approval ID: FILE E 138168



**CSAus**

Approval ID: 2761632



**IECEx**

Approval ID: IECEx BVS 14.0017X



**cUL Listed**

Approval ID: FILE E 333250



**UL Listed**

Approval ID: FILE E 333250



**ATEX**

Approval ID: BVS 14 ATEX E 020 X



**NEPSI-EX**

Approval ID: GYJ20.1158X



**CCC**

Approval ID: 2020322316001010



**UKCA-EX**

Approval ID: DEKRA 23UKEX0111X

# PT-IQ-PTB-UT - Supply and remote module



2800768

<https://www.phoenixcontact.com/us/products/2800768>

## Classifications

### ECLASS

ECLASS-13.0	27171501
ECLASS-15.0	27171501

### ETIM

ETIM 10.0	EC001466
-----------	----------

### UNSPSC

UNSPSC 21.0	39121600
-------------	----------

# PT-IQ-PTB-UT - Supply and remote module



2800768

<https://www.phoenixcontact.com/us/products/2800768>

## Environmental product compliance

### EU RoHS

Fulfills EU RoHS substance requirements	Yes
Exemption	6(c), 7(a), 7(c)-I

### China RoHS

Environment friendly use period (EFUP)	EFUP-50
	An article-related China RoHS declaration table can be found in the download area for the respective article under "Manufacturer declaration". For all articles with EFUP-E, no China RoHS declaration table issued and required.

### EU REACH SVHC

REACH candidate substance (CAS No.)	Lead(CAS: 7439-92-1)
SCIP	aa08d3a0-aa2b-4332-897c-3ad90ebc6a79

Phoenix Contact 2026 © - all rights reserved

<https://www.phoenixcontact.com>

Phoenix Contact USA  
586 Fulling Mill Road  
Middletown, PA 17057, United States  
(+717) 944-1300  
[info@phoenixcon.com](mailto:info@phoenixcon.com)