

# D-LAN-CAT.5-FP - Surge protection device



2800723

<https://www.phoenixcontact.com/us/products/2800723>

Please be informed that the data shown in this PDF document is generated from our online catalog. Please find the complete data in the user documentation. Our general terms of use for downloads are valid.



Fine surge protection for data networks up to 1 Gbps. For use in Ethernet, Power over Ethernet (PoE, mode A and mode B), token ring, ISDN, and DS1. RJ45 attachment plug with separate grounding cable and snap-on foot for NS 35 DIN rails.

## Your advantages

- Category 5 and category 6 data networks
- Reliable transmission speeds up to 1 Gbps
- Protective adapter for 8 signal paths via RJ45 connector

## Commercial data

Item number	2800723
Packing unit	1 pc
Minimum order quantity	1 pc
Sales key	CL24
Product key	CL3112
GTIN	4046356730273
Weight per piece (including packing)	173.2 g
Weight per piece (excluding packing)	90 g
Customs tariff number	85363010
Country of origin	CN

# D-LAN-CAT.5-FP - Surge protection device

2800723

<https://www.phoenixcontact.com/us/products/2800723>

## Technical data

### Product properties

Product type	Surge protection for information technology
Product family	DATATRAB
IEC test classification	B2 C1
VDE requirement class	B2 C1
Type	Attachment plug for DIN rail mounting
Number of positions	8
Wire pairs per module	4

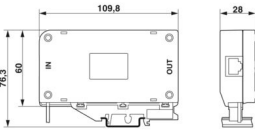
### Insulation characteristics

Overvoltage category	II
Pollution degree	2

### Connection data

Connection method	RJ45
-------------------	------

### Dimensions

Dimensional drawing	
Width	28 mm
Height	110 mm
Depth	60 mm (incl. NS 35 adapter)

### Material specifications

Color	gray (RAL 7042) black (RAL 9005)
Flammability rating according to UL 94	V0
Housing material	ABS

### Mechanical properties

#### Mechanical data

Open side panel	No
-----------------	----

### Protective circuit

Direction of action	Line-Line & Line-Ground/Shield
Maximum continuous operating voltage $U_C$	$\pm 48$ V DC
Maximum continuous voltage $U_C$ (line-line)	$\pm 5$ V DC ( $\pm 57$ V DC/PoE+)

# D-LAN-CAT.5-FP - Surge protection device



2800723

<https://www.phoenixcontact.com/us/products/2800723>

Rated current	≤ 1.5 A (25 °C)
Operating effective current $I_C$ at $U_C$	≤ 600 $\mu$ A
Nominal discharge current $I_n$ (8/20) $\mu$ s (line-line)	350 A
Nominal discharge current $I_n$ (8/20) $\mu$ s (line-ground)	350 A
Nominal pulse current $I_{an}$ (10/700) $\mu$ s (line-line)	≤ 25 A
Nominal pulse current $I_{an}$ (10/700) $\mu$ s (line-earth)	≤ 25 A
Output voltage limitation at 1 kV/ $\mu$ s (line-line) spike	≤ 25 V
	≤ 90 V (PoE)
Output voltage limitation at 1 kV/ $\mu$ s (line-earth) spike	≤ 750 V
Output voltage limitation at 1 kV/ $\mu$ s (line-line) static	≤ 25 V
Output voltage limitation at 1 kV/ $\mu$ s (line-earth) static	≤ 750 V
Residual voltage at $I_n$ (conductor-conductor)	≤ 35 V (C1 - 350 A)
	≤ 110 V (C1 - 350 A)
Residual voltage at $I_n$ (conductor-ground)	≤ 700 V (C1 - 350 A)
Voltage protection level $U_p$ (line-line)	≤ 20 V (B2 - 1 kV / 25 A)
	≤ 90 V (B2 - 1 kV / 25 A - PoE)
	≤ 35 V (C1 - 700 V/350 A)
	≤ 110 V (C1 - 700 V/350 A - PoE)
Voltage protection level $U_p$ (line-earth)	≤ 700 V (B2 - 1 kV / 25 A)
	≤ 700 V (C1 - 700 V/350 A)
Response time $t_A$ (line-line)	≤ 1 ns
Response time $t_A$ (line-earth)	≤ 100 ns
Input attenuation aE, sym.	≤ 1 dB (100 MHz/100 $\Omega$ )
Near-end crosstalk attenuation	≤ 63.3 dB (1 MHz/100 $\Omega$ )
	≤ 43.6 dB (16 MHz/100 $\Omega$ )
	≤ 30.1 dB (100 MHz/100 $\Omega$ )
Cut-off frequency $f_g$ (3 dB), sym. in 100 $\Omega$ system	250 MHz
Capacity (Core-Core)	typ. 15 pF (f= 1 MHz / VR= 0 V)
Capacity (Core-Earth)	typ. 5 pF (f= 1 MHz / VR= 0 V)
Impulse durability (line-line)	B2 - 1 kV / 25 A
	C1 - 700 V / 350 A
Impulse durability (line-earth)	B2 - 1 kV/25 A
	C1 - 700 V/350 A

## Environmental and real-life conditions

### Ambient conditions

Degree of protection	IP20
Ambient temperature (operation)	-40 °C ... 85 °C
Permissible humidity (operation)	5 % ... 95 %

## Standards and regulations

VDE requirement class	B2
	C1

# D-LAN-CAT.5-FP - Surge protection device



2800723

<https://www.phoenixcontact.com/us/products/2800723>

## Air clearances and creepage distances

Standards/regulations	IEC 60664
Standards/specifications	IEC 61643-21/A1
Note	2008
Standards/specifications	GB/T 18802.21
Note	2004
Standards/specifications	EN 61643-21/A1
Note	2009

## Mounting

Mounting type	Connection-specific attachment plug and DIN rail, 35 mm
---------------	---

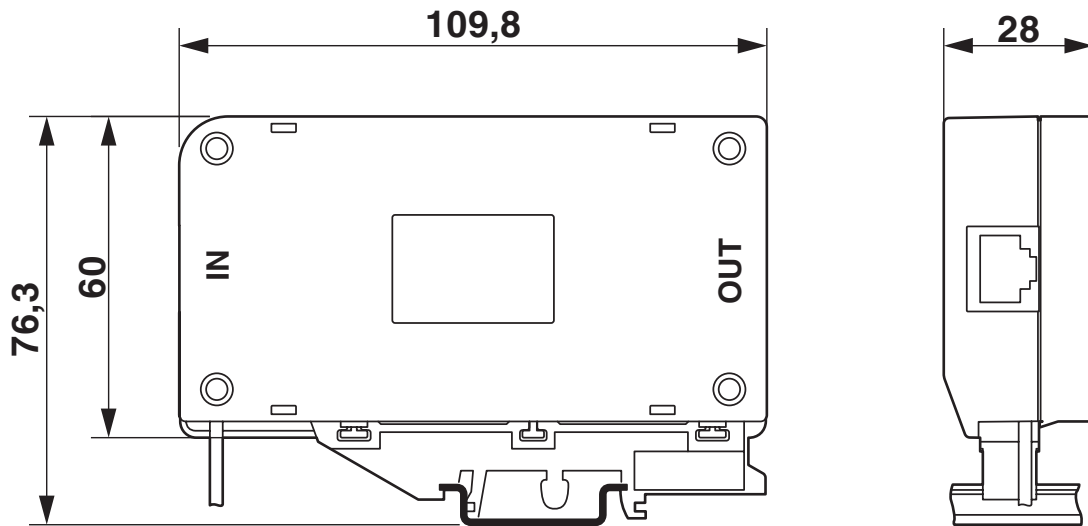
# D-LAN-CAT.5-FP - Surge protection device

2800723

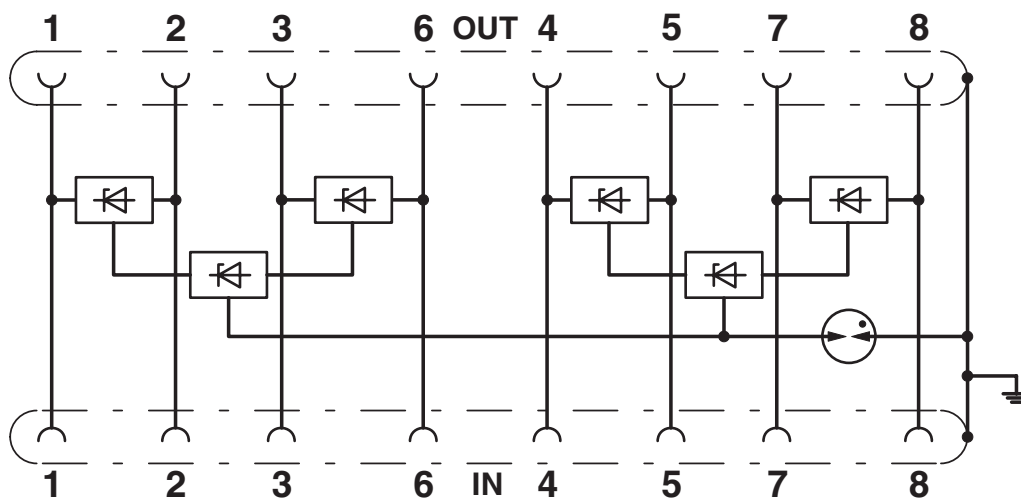
<https://www.phoenixcontact.com/us/products/2800723>

## Drawings

Dimensional drawing



Circuit diagram



# D-LAN-CAT.5-FP - Surge protection device



2800723

<https://www.phoenixcontact.com/us/products/2800723>

## Approvals

To download certificates, visit the product detail page: <https://www.phoenixcontact.com/us/products/2800723>



**UL Listed**

Approval ID: FILE E 138168

# D-LAN-CAT.5-FP - Surge protection device



2800723

<https://www.phoenixcontact.com/us/products/2800723>

## Classifications

### ECLASS

ECLASS-13.0	27171503
ECLASS-15.0	27171503

### ETIM

ETIM 10.0	EC001625
-----------	----------

### UNSPSC

UNSPSC 21.0	39121600
-------------	----------

# D-LAN-CAT.5-FP - Surge protection device



2800723

<https://www.phoenixcontact.com/us/products/2800723>

## Environmental product compliance

### EU RoHS

Fulfills EU RoHS substance requirements	Yes
Exemption	7(a)

### China RoHS

Environment friendly use period (EFUP)	EFUP-50
	An article-related China RoHS declaration table can be found in the download area for the respective article under "Manufacturer declaration". For all articles with EFUP-E, no China RoHS declaration table issued and required.

### EU REACH SVHC

REACH candidate substance (CAS No.)	Lead(CAS: 7439-92-1)
SCIP	42dee6a1-a98c-42fb-9e5e-407c2bd16dbf

Phoenix Contact 2026 © - all rights reserved

<https://www.phoenixcontact.com>

Phoenix Contact USA  
586 Fulling Mill Road  
Middletown, PA 17057, United States  
(+717) 944-1300  
[info@phoenixcon.com](mailto:info@phoenixcon.com)