

SYS N4 120/240S - Surge protection device



2800705

<https://www.phoenixcontact.com/us/products/2800705>

Please be informed that the data shown in this PDF document is generated from our online catalog. Please find the complete data in the user documentation. Our general terms of use for downloads are valid.

Indoor/outdoor lightning current arrester and TVSS system for 120/240 single/split phase



Product description

Combination lightning current arrester and TVSS for 120/240 V single/split phase. Components are housed in an IP66/NEMA 4 cabinet.

Commercial data

Item number	2800705
Packing unit	1 pc
Minimum order quantity	1 pc
Note	Made to order (non-returnable)
Sales key	CL01
Product key	CL1621
GTIN	4046356642910
Weight per piece (including packing)	222.22 g
Weight per piece (excluding packing)	222.22 g
Customs tariff number	85363090
Country of origin	DE

SYS N4 120/240S - Surge protection device



2800705

<https://www.phoenixcontact.com/us/products/2800705>

Technical data

Product properties

Product type	Surge protection for NEMA power supply units
IEC test classification	I + II
EN type	T1
Type	Housing for surface mounting
Surge protection fault message	Remote indication contact

Electrical properties

Nominal voltage U_N	< 240 V
Fuse	200 kA VSP100, 100 A, 200 kAIC (IR)

General

Power Systems	120/240 V Single/Split Phase
---------------	------------------------------

Connection data

Conductor cross-section flexible min.	16 mm ²
Conductor cross-section flexible max.	35 mm ²
Conductor cross-section, rigid min.	10 mm ²
Conductor cross-section, rigid max.	50 mm ²
Connection method	Screw connection
Conductor cross-section flexible min.	0.14 mm ²
Conductor cross-section flexible max.	1.5 mm ²
Conductor cross-section, rigid min.	0.14 mm ²
Conductor cross-section, rigid max.	1.5 mm ²

Dimensions

Width	400 mm
Height	500 mm
Depth	210 mm

Material specifications

Housing material	Steel
------------------	-------

Protective circuit

Nominal voltage U_N	120/240 V AC (Split phase)
Maximum continuous operating voltage U_C	275 V AC
Follow current interrupt rating I_{fi}	50 kA
Response time t_A	≤ 25 ns

Environmental and real-life conditions

Ambient conditions

Degree of protection	IP66/NEMA 4
----------------------	-------------

SYS N4 120/240S - Surge protection device



2800705

<https://www.phoenixcontact.com/us/products/2800705>

Ambient temperature (operation)	-40 °C ... 80 °C
---------------------------------	------------------

Approvals

UL specifications

Short-circuit current rating (SCCR)	50 kA
UL type	type 2
Nominal discharge current I_n	20 kA
Maximum Surge Current per Phase	50 kA
Nominal voltage	120/240 V AC (Split phase)
Power distribution system	Split phase

Standards and regulations

Standards

Standards/regulations	ANSI/UL 1449:2014 Ed.4+R:17MAR2016
	IEC 60643-1
	EN 61643-11
	CAN/CSA-C22.2 No. 8:2013 Ed.5

Mounting

Mounting type	Surface/Panel mounting
---------------	------------------------

SYS N4 120/240S - Surge protection device

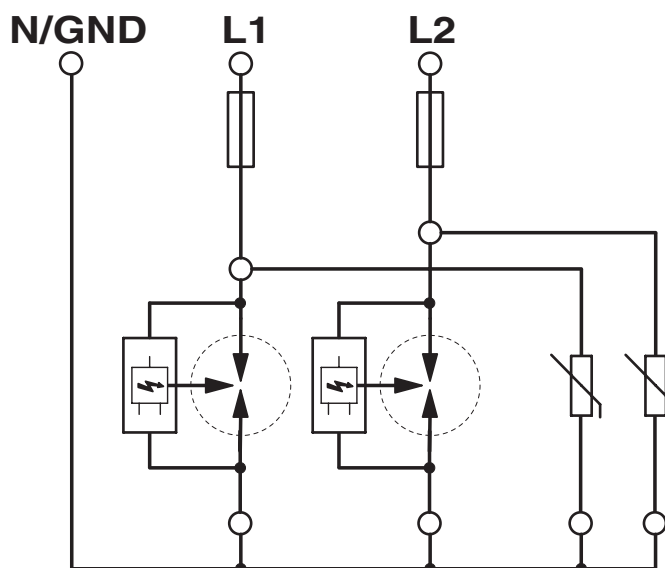
2800705

<https://www.phoenixcontact.com/us/products/2800705>



Drawings

Circuit diagram



SYS N4 120/240S - Surge protection device



2800705

<https://www.phoenixcontact.com/us/products/2800705>

Classifications

ECLASS

ECLASS-13.0	27171202
-------------	----------

UNSPSC

UNSPSC 21.0	39121620
-------------	----------

SYS N4 120/240S - Surge protection device



2800705

<https://www.phoenixcontact.com/us/products/2800705>

Environmental product compliance

EU RoHS

Fulfills EU RoHS substance requirements	Not applicable, Not qualified for the European market
---	---

China RoHS

Environment friendly use period (EFUP)	EFUP-50
	An article-related China RoHS declaration table can be found in the download area for the respective article under "Manufacturer declaration". For all articles with EFUP-E, no China RoHS declaration table issued and required.

EU REACH SVHC

REACH candidate substance (CAS No.)	Hexahydromethylphthalic anhydride(CAS: n/a)
	4-Nonylphenol, branched and linear(CAS: n/a)
	Lead(CAS: 7439-92-1)

Phoenix Contact 2026 © - all rights reserved

<https://www.phoenixcontact.com>

Phoenix Contact USA
586 Fulling Mill Road
Middletown, PA 17057, United States
(+717) 944-1300
info@phoenixcon.com