

VAL-MS-T1/T2 175/12.5/3+0 - Lightning/surge arrester type 1/2



2800673

<https://www.phoenixcontact.com/us/products/2800673>

Please be informed that the data shown in this PDF document is generated from our online catalog. Please find the complete data in the user documentation. Our general terms of use for downloads are valid.



The figure shows the 335 V
version

Universal varistor-based plug-in lightning/surge arrester for 3-phase power supply networks with common N and PE (4-conductor system: L1, L2, L3, PEN).

Commercial data

Item number	2800673
Packing unit	1 pc
Note	Made to order (non-returnable)
Sales key	CL18
Product key	CL1151
GTIN	4046356624329
Weight per piece (including packing)	455.2 g
Weight per piece (excluding packing)	455.2 g
Customs tariff number	85363030
Country of origin	DE

VAL-MS-T1/T2 175/12.5/3+0 - Lightning/surge arrester type 1/2



2800673

<https://www.phoenixcontact.com/us/products/2800673>

Technical data

Notes

General

Note	Nominal voltage UN = 120 V AC/240 V AC split-phase (separate GND)
------	-------------------------------------------------------------------

Product properties

Product type	Arrester combination
Product family	VALVETRAB MS
IEC test classification	I / II
	I
	T1 / T2
	T1
EN type	T1 / T2
	T1
IEC power supply system	TN-C
Type	DIN rail module, two-section, divisible
Surge protection fault message	optical
Number of ports	One

Insulation characteristics

Overvoltage category	III
Pollution degree	2

Electrical properties

Nominal frequency f_N	50 Hz (60 Hz)
-------------------------	---------------

Connection data

Connection method	Screw connection
Screw thread	M5
Tightening torque	4.5 Nm
Stripping length	16 mm
Conductor cross-section flexible	1.5 mm ² ... 25 mm ²
Conductor cross-section rigid	1.5 mm ² ... 35 mm ²
Conductor cross-section AWG	15 ... 2

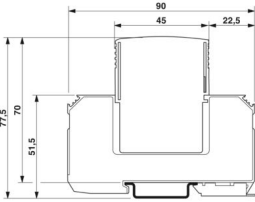
Dimensions

VAL-MS-T1/T2 175/12.5/3+0 - Lightning/surge arrester type 1/2



2800673

<https://www.phoenixcontact.com/us/products/2800673>

Dimensional drawing	
Width	53.4 mm
Height	90 mm
Depth	77.5 mm
Horizontal pitch	3 Div.

Material specifications

Flammability rating according to UL 94	V-0
CTI value of material	600
Insulating material	PA 6.6/PBT
Material group	I
Housing material	PA 6.6 PBT

Mechanical properties

Mechanical data

Open side panel	No
-----------------	----

Protective circuit

Mode of protection	L-PEN
Direction of action	3L-PEN
Nominal voltage U_N	120/208 V AC (TN-C)
Nominal frequency f_N	50 Hz (60 Hz)
Maximum continuous operating voltage U_C	175 V AC
Rated load current I_L	80 A
Protective conductor current I_{PE}	$\leq 2400 \mu\text{A}$
Standby power consumption P_C	$\leq 420 \text{ mVA}$
Nominal discharge current I_n (8/20) μs	12.5 kA
Maximum discharge current I_{max} (8/20) μs	50 kA
Impulse discharge current (10/350) μs , charge	6.25 As
Impulse discharge current (10/350) μs , specific energy	39 kJ/ Ω
Impulse discharge current (10/350) μs , peak value I_{imp}	12.5 kA
Total discharge current I_{Total} (8/20) μs	150 kA
Total discharge current I_{Total} (10/350) μs	37.5 kA
Short-circuit current rating I_{SCCR}	25 kA
Voltage protection level U_p	$\leq 0.8 \text{ kV}$ $\leq 0.8 \text{ kV (at } I_n)$

VAL-MS-T1/T2 175/12.5/3+0 - Lightning/surge arrester type 1/2



2800673

<https://www.phoenixcontact.com/us/products/2800673>

Residual voltage U_{res}	≤ 0.7 kV (at 10 kA)
	≤ 0.6 kV (at 5 kA)
	≤ 0.55 kV (at 3 kA)
TOV behavior at U_T	208 V AC (5 s / withstand mode)
	229 V AC (120 min / withstand mode)
Response time t_A	≤ 25 ns
Max. backup fuse with V-type through wiring	80 A (gG - 16 mm ²)
Max. backup fuse with branch wiring	160 A (gG)

Environmental and real-life conditions

Ambient conditions

Degree of protection	IP20 (only when all terminal points are used)
Ambient temperature (operation)	-40 °C ... 80 °C
Ambient temperature (storage/transport)	-40 °C ... 80 °C
Altitude	≤ 2000 m (amsl)
Permissible humidity (operation)	5 % ... 95 %
Shock (operation)	30g (Half-sine / 11 ms / 3x $\pm X$, $\pm Y$, $\pm Z$)
Vibration (operation)	7.5g (10 ... 500 Hz / 2.5 h / X, Y, Z)

Approvals

UL specifications

Maximum continuous operating voltage MCOV (L-L)	350 V AC
Maximum continuous operating voltage MCOV (L-G)	175 V AC
Nominal discharge current I_n (L-L)	20 kA
Nominal discharge current I_n (L-G)	20 kA
Mode of protection	L-L
	L-G
Nominal voltage	208/120 V AC
Power distribution system	Wye
Nominal frequency	50/60 Hz
Measured limiting voltage MLV (L-L)	2800 V
Measured limiting voltage MLV (L-G)	2200 V
SPD Type	4CA

UL connection data

Tightening torque	30 lb _F -in.
Conductor cross-section AWG	10 ... 2

Standards and regulations

Standards/specifications	IEC 61643-11
Note	2011
Standards/specifications	EN 61643-11

VAL-MS-T1/T2 175/12.5/3+0 - Lightning/surge arrester type 1/2



2800673

<https://www.phoenixcontact.com/us/products/2800673>

Note	2012
------	------

Mounting

Mounting type	DIN rail: 35 mm
---------------	-----------------

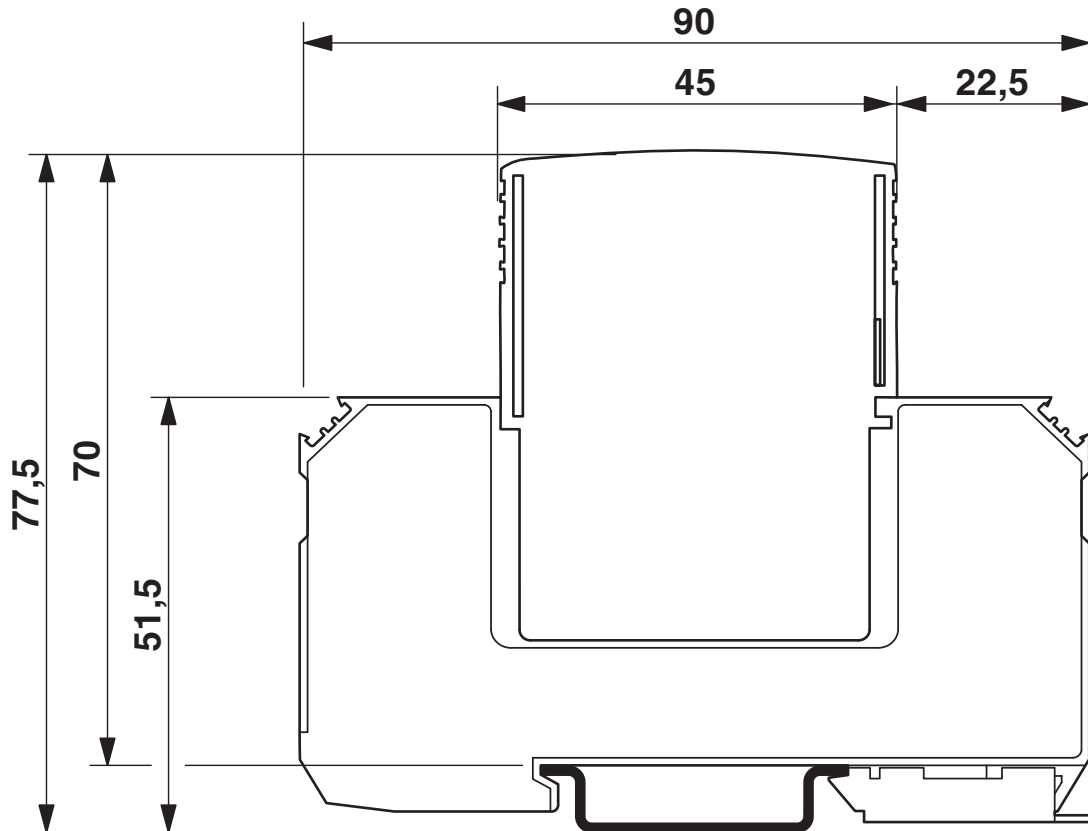
VAL-MS-T1/T2 175/12.5/3+0 - Lightning/surge arrester type 1/2

2800673

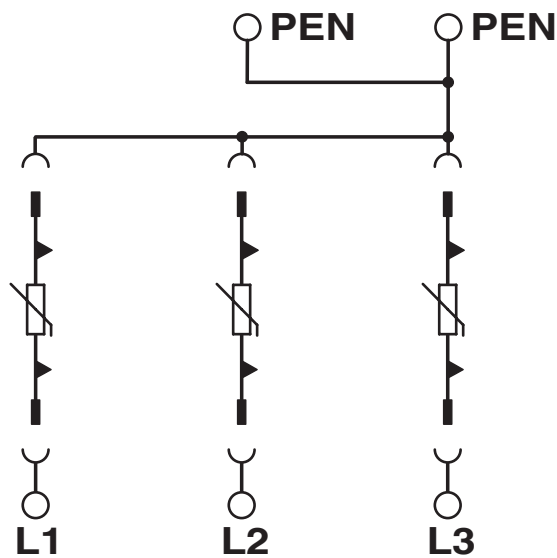
<https://www.phoenixcontact.com/us/products/2800673>

Drawings

Dimensional drawing



Circuit diagram



VAL-MS-T1/T2 175/12.5/3+0 - Lightning/surge arrester type 1/2



2800673

<https://www.phoenixcontact.com/us/products/2800673>

Environmental product compliance

EU REACH SVHC

REACH candidate substance (CAS No.)	No substance above 0.1 wt%
-------------------------------------	----------------------------

Phoenix Contact 2026 © - all rights reserved

<https://www.phoenixcontact.com>

Phoenix Contact USA
586 Fulling Mill Road
Middletown, PA 17057, United States
(+717) 944-1300
info@phoenixcon.com