

F-MS-T1/T2 50 ST - Type 1/2 surge protection plug



2800191

<https://www.phoenixcontact.com/us/products/2800191>

Please be informed that the data shown in this PDF document is generated from our online catalog. Please find the complete data in the user documentation. Our general terms of use for downloads are valid.

N-PE replacement plug for VAL-MS-T1/T2 335/12.5 plug-in lighting/surge arrester.



Your advantages

- Quality proven millions of times over in the widest range of applications
- Rapid installation with bridges, thanks to industry-standard overall width of 1 HP
- Easy testing and insulation measurement, thanks to pluggable protection modules

Commercial data

Item number	2800191
Packing unit	10 pc
Minimum order quantity	1 pc
Sales key	CL18
Product key	CL1151
GTIN	4046356518628
Weight per piece (including packing)	77.9 g
Weight per piece (excluding packing)	77.9 g
Customs tariff number	85363030
Country of origin	DE

F-MS-T1/T2 50 ST - Type 1/2 surge protection plug

2800191

<https://www.phoenixcontact.com/us/products/2800191>

Technical data

Product properties

Product type	Replacement plug
Product family	VALVETRAB MS
IEC test classification	I / II
	T1 / T2
	T1
EN type	T1 / T2
	T1
IEC power supply system	TN-S
	TT
Type	DIN rail module, two-section, divisible
Number of positions	1
Surge protection fault message	optical

Insulation characteristics

Overvoltage category	III
Pollution degree	2

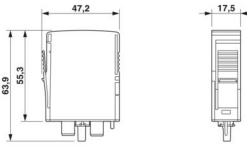
Electrical properties

Nominal frequency f_N	50 Hz (60 Hz)
-------------------------	---------------

Connection data

Connection method	pluggable
-------------------	-----------

Dimensions

Dimensional drawing	
Width	17.7 mm
Height	47 mm
Depth	67.3 mm
Horizontal pitch	1 Div.

Material specifications

Color	black (RAL 9005)
Flammability rating according to UL 94	V-0
CTI value of material	600
Insulating material	PA 6.6/PBT
Material group	I
Housing material	PA 6.6

F-MS-T1/T2 50 ST - Type 1/2 surge protection plug



2800191

<https://www.phoenixcontact.com/us/products/2800191>

	PBT
--	-----

Protective circuit

Mode of protection	N-PE
Direction of action	N-PE
Nominal voltage U_N	240/415 V AC (TN-S) 240/415 V AC (TT)
Nominal frequency f_N	50 Hz (60 Hz)
Maximum continuous operating voltage U_C	264 V AC
Protective conductor current I_{PE}	$\leq 5 \mu\text{A}$
Standby power consumption P_C	$\leq 1.3 \text{ mVA}$
Nominal discharge current I_n (8/20) μs	50 kA
Maximum discharge current I_{max} (8/20) μs	50 kA
Impulse discharge current (10/350) μs , charge	25 As
Impulse discharge current (10/350) μs , specific energy	625 kJ/ Ω
Impulse discharge current (10/350) μs , peak value I_{imp}	50 kA
Follow current interrupt rating I_{fi}	100 A (264 V AC)
Voltage protection level U_p	$\leq 1.7 \text{ kV}$
Residual voltage U_{res}	$\leq 0.6 \text{ kV}$ (at I_n) $\leq 0.5 \text{ kV}$ (at 10 kA) $\leq 0.5 \text{ kV}$ (at 5 kA) $\leq 0.4 \text{ kV}$ (at 3 kA)
Front-of-wave sparkover voltage at 6 kV (1.2/50) μs	$\leq 1.7 \text{ kV}$
TOV behavior at U_T	1200 V AC (200 ms / withstand mode)
Response time t_A	$\leq 100 \text{ ns}$

Environmental and real-life conditions

Ambient conditions

Degree of protection	IP20
Ambient temperature (operation)	-40 °C ... 80 °C
Ambient temperature (storage/transport)	-40 °C ... 80 °C
Altitude	$\leq 2000 \text{ m}$ (amsl)
Permissible humidity (operation)	5 % ... 95 %
Shock (operation)	30g (Half-sine / 11 ms / 3x $\pm X$, $\pm Y$, $\pm Z$)
Vibration (operation)	7.5g (10 ... 500 Hz / 2.5 h / X, Y, Z)

Approvals

UL specifications

Maximum continuous operating voltage MCOV (N-G)	264 V AC
Nominal discharge current I_n (N-G)	20 kA
Mode of protection	N-G
Power distribution system	Single phase
Nominal frequency	50/60 Hz

F-MS-T1/T2 50 ST - Type 1/2 surge protection plug



2800191

<https://www.phoenixcontact.com/us/products/2800191>

Measured limiting voltage MLV (N-G)	2600 V
SPD Type	4CA

Standards and regulations

Standards/specifications	IEC 61643-11
Note	2011

EN 61643-11

Standards/specifications	EN 61643-11
Note	2012

Mounting

Mounting type	on base element
---------------	-----------------

F-MS-T1/T2 50 ST - Type 1/2 surge protection plug

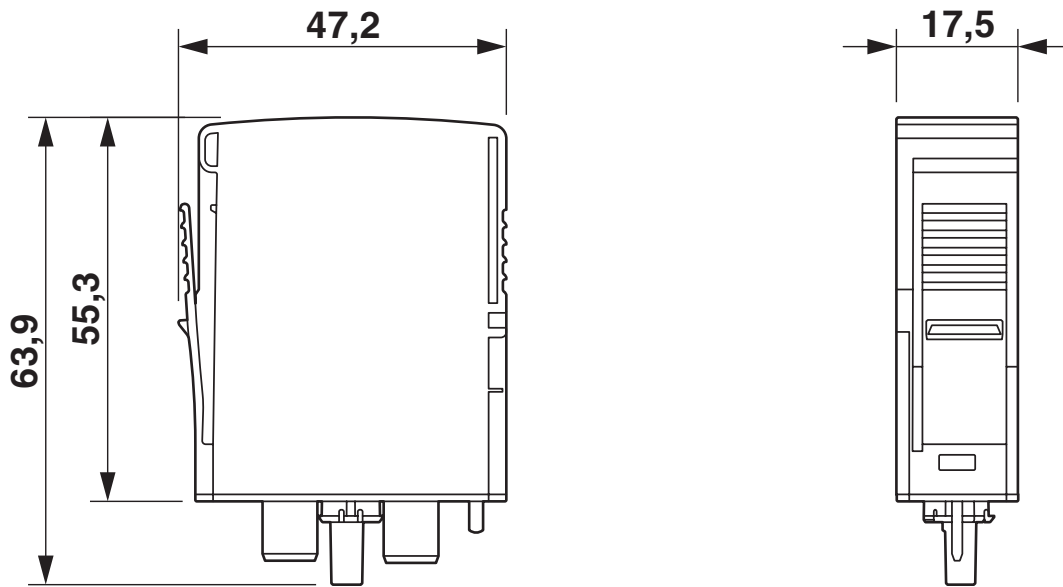


2800191

<https://www.phoenixcontact.com/us/products/2800191>

Drawings

Dimensional drawing



Circuit diagram



F-MS-T1/T2 50 ST - Type 1/2 surge protection plug



2800191

<https://www.phoenixcontact.com/us/products/2800191>

Approvals

To download certificates, visit the product detail page: <https://www.phoenixcontact.com/us/products/2800191>



cUL Recognized

Approval ID: FILE E 330181



UL Recognized

Approval ID: FILE E 330181



IECEE CB Scheme

Approval ID: AT 2584

CCA

Approval ID: NTR-AT 1906



KEMA-KEUR

Approval ID: 2162496-01



DNV GL

Approval ID: TAE00001N9



ÖVE

Approval ID: 18583-009-09

F-MS-T1/T2 50 ST - Type 1/2 surge protection plug



2800191

<https://www.phoenixcontact.com/us/products/2800191>

Classifications

ECLASS

ECLASS-13.0	27171292
ECLASS-15.0	27171292

ETIM

ETIM 10.0	EC002496
-----------	----------

UNSPSC

UNSPSC 21.0	39121600
-------------	----------

F-MS-T1/T2 50 ST - Type 1/2 surge protection plug



2800191

<https://www.phoenixcontact.com/us/products/2800191>

Environmental product compliance

EU RoHS

Fulfills EU RoHS substance requirements	Yes, No exemptions
---	--------------------

China RoHS

Environment friendly use period (EFUP)	EFUP-E
	No hazardous substances above the limits

EU REACH SVHC

REACH candidate substance (CAS No.)	No substance above 0.1 wt%
-------------------------------------	----------------------------

Phoenix Contact 2026 © - all rights reserved
<https://www.phoenixcontact.com>

Phoenix Contact USA
586 Fulling Mill Road
Middletown, PA 17057, United States
(+717) 944-1300
info@phoenixcon.com