

# PT 4-24AC-ST - Surge protection plug



2800078

<https://www.phoenixcontact.com/us/products/2800078>

Please be informed that the data shown in this PDF document is generated from our online catalog. Please find the complete data in the user documentation. Our general terms of use for downloads are valid.



Protective connector PT with protective circuit for a 4-wire floating signal circuit. Nominal voltage: 24 V AC

## Your advantages

- Easy testing and documentation with CHECKMASTER 2 with pluggable protective modules
- Maximum ease of maintenance, thanks to the 2-piece design
- Easy selection for all possible demands in MCR applications with a complete product portfolio
- The signal is not influenced during maintenance work, thanks to the impedance-neutral insertion and removal of protective plugs
- Plugs can be checked with CHECKMASTER

## Commercial data

Item number	2800078
Packing unit	1 pc
Minimum order quantity	1 pc
Sales key	CL21
Product key	CL2111
GTIN	4046356462211
Weight per piece (including packing)	42.8 g
Weight per piece (excluding packing)	37.166 g
Customs tariff number	85363010
Country of origin	DE

# PT 4-24AC-ST - Surge protection plug

2800078

<https://www.phoenixcontact.com/us/products/2800078>

## Technical data

### Notes

#### General

Note	If the maximum permissible short-circuit current at the installation location exceeds the specified values, a fuse should be selected which ensures a shutdown time of < 5 s.
	Technical data is valid in association with the following specified base elements:
	with PT 4+F-BE
	with PT 4-BE

### Product properties

Product type	Surge protection for MCR technology
Product family	PLUGTRAB PT
IEC test classification	C1
	C2
	C3
	D1
Type	Male

#### Insulation characteristics

Overvoltage category	III
Pollution degree	2

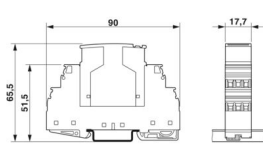
### Electrical properties

Nominal voltage $U_N$	24 V AC
-----------------------	---------

### Connection data

Connection method	Screw connection (in connection with the base element)
Screw thread	M3
Tightening torque	0.5 Nm
Conductor cross-section flexible	0.2 mm <sup>2</sup> ... 2.5 mm <sup>2</sup>
Conductor cross-section rigid	0.2 mm <sup>2</sup> ... 4 mm <sup>2</sup>
Conductor cross-section AWG	24 ... 12

### Dimensions

Dimensional drawing	
Width	17.7 mm
Height	45 mm

# PT 4-24AC-ST - Surge protection plug



2800078

<https://www.phoenixcontact.com/us/products/2800078>

Depth	52 mm
Horizontal pitch	1 Div.
Complete module width	17.7 mm
Complete module height	90 mm
Complete module depth	65.5 mm

## Material specifications

Color	black (RAL 9005)
Flammability rating according to UL 94	V-0
Housing material	PA 6.6

## Mechanical properties

### Mechanical data

Open side panel	No
-----------------	----

## Protective circuit

Direction of action	Line-Line & Line-Signal Ground/Shield & optional Signal Ground/Shield-Earth Ground
Nominal voltage $U_N$	24 V AC
Maximum continuous operating voltage $U_C$	40 V DC 28 V AC
Rated current	2 A AC (80 °C) 500 mA DC (80 °C)
Operating effective current $I_C$ at $U_C$	$\leq 5 \mu\text{A}$
Protective conductor current $I_{PE}$	$\leq 4 \mu\text{A}$ (with PT 4-BE) $\leq 1 \mu\text{A}$ (with PT 4+F-BE)
Nominal discharge current $I_n$ (8/20) $\mu\text{s}$ (line-line)	187 A
Nominal discharge current $I_n$ (8/20) $\mu\text{s}$ (line-ground)	10 kA
Pulse discharge current $I_{imp}$ (10/350) $\mu\text{s}$	2.5 kA
Total discharge current $I_{Total}$ (8/20) $\mu\text{s}$	20 kA
Max. discharge current $I_{max}$ (8/20) $\mu\text{s}$ maximum (line-line)	187 A
Max. discharge current $I_{max}$ (8/20) $\mu\text{s}$ maximum (line-earth)	10 kA
Nominal pulse current $I_{an}$ (10/1000) $\mu\text{s}$ (line-line)	36 A
Output voltage limitation at 1 kV/ $\mu\text{s}$ (line-line) spike	$\leq 75 \text{ V}$
Output voltage limitation at 1 kV/ $\mu\text{s}$ (line-earth) spike	$\leq 450 \text{ V}$ (with PT 4-BE) $\leq 1 \text{ kV}$ (with PT 4+F-BE)
Output voltage limitation at 1 kV/ $\mu\text{s}$ (line-line) static	$\leq 75 \text{ V}$
Output voltage limitation at 1 kV/ $\mu\text{s}$ (line-earth) static	$\leq 25 \text{ kV}$ (with PT 4-BE) $\leq 50 \text{ V}$ (with PT 4+F-BE)
Residual voltage at $I_n$ (conductor-conductor)	$\leq 105 \text{ V}$
Residual voltage with $I_{an}$ (10/1000) $\mu\text{s}$ (line-line)	$\leq 80 \text{ V}$
Voltage protection level $U_p$ (line-line)	$\leq 85 \text{ V}$ (C1 - 500 V / 250 A) $\leq 70 \text{ V}$ (C3 - 10 A) $\leq 75 \text{ V}$ (C3 - 25 A)

# PT 4-24AC-ST - Surge protection plug



2800078

<https://www.phoenixcontact.com/us/products/2800078>

Voltage protection level $U_p$ (line-earth)	$\leq 450$ V (C2 - 10 kV / 5 kA with PT 4-BE)
	$\leq 1$ kV (C2 - 10 kV / 5 kA with PT 4+F-BE)
Voltage protection level $U_p$ static (line-earth)	$\leq 50$ V (C2 - 10 kV / 5 kA with PT 4-BE)
	$\leq 100$ V (C2 - 10 kV / 5 kA with PT 4+F-BE)
Response time $t_A$ (line-line)	$\leq 1$ ns
Response time $t_A$ (line-earth)	$\leq 100$ ns
Input attenuation aE, sym.	0.1 dB ( $\leq 2$ MHz / 50 $\Omega$ )
	0.1 dB ( $\leq 600$ kHz / 150 $\Omega$ )
Cut-off frequency $f_g$ (3 dB), sym. in 50 $\Omega$ system	typ. 10 MHz
Cut-off frequency $f_g$ (3 dB), sym. in 150 $\Omega$ system	typ. 3 MHz
Capacity (Core-Core)	typ. 0.7 nF
Capacity (Core-Earth)	typ. 40 pF (with PT 4-BE)
	typ. 20 pF (with PT 4+F-BE)
Resistance per path	0 $\Omega$
Surge protection fault message	none
Impulse durability (line-line)	C1 - 500 V / 250 A
	C3 - 10 A
	C3 - 25 A
Impulse durability (line-earth)	C2 - 10 kV / 5 kA
	D1 - 2.5 kA

## Environmental and real-life conditions

### Ambient conditions

Degree of protection	IP20
Ambient temperature (operation)	-40 °C ... 85 °C
Ambient temperature (storage/transport)	-40 °C ... 85 °C
Altitude	$\leq 2000$ m (amsl)

## Standards and regulations

Standards/specifications	IEC 61643-21
Note	2000 + corrigendum 2001 + A1:2008, modified + A2:2012
Standards/specifications	EN 61643-21
Note	2001 + A1:2009 + A2:2013

## Mounting

Mounting type	on base element
---------------	-----------------

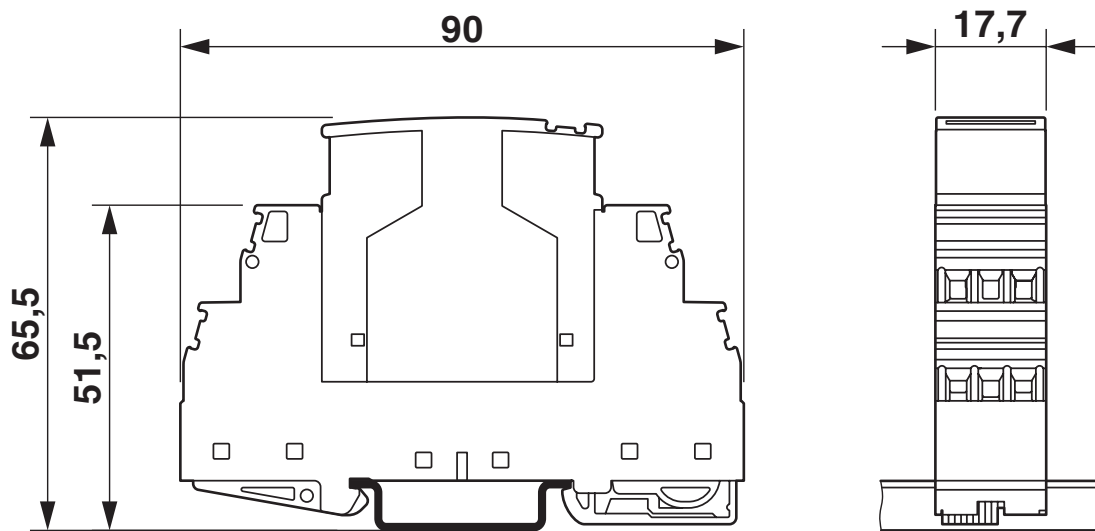
# PT 4-24AC-ST - Surge protection plug

2800078

<https://www.phoenixcontact.com/us/products/2800078>

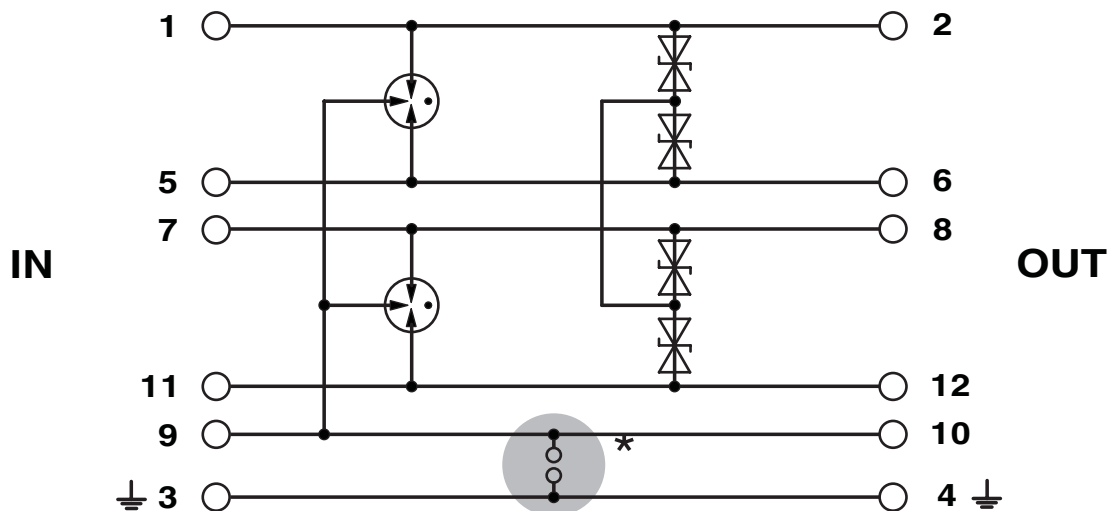
## Drawings

Dimensional drawing



The figure shows the complete module consisting of a base element and connector

Circuit diagram



# PT 4-24AC-ST - Surge protection plug



2800078

<https://www.phoenixcontact.com/us/products/2800078>

## Classifications

### ECLASS

ECLASS-13.0	27171501
ECLASS-15.0	27171501

### ETIM

ETIM 10.0	EC001466
-----------	----------

### UNSPSC

UNSPSC 21.0	39121600
-------------	----------

2800078

<https://www.phoenixcontact.com/us/products/2800078>

## Environmental product compliance

### EU RoHS

Fulfills EU RoHS substance requirements	Yes
Exemption	7(a), 7(c)-I

### China RoHS

Environment friendly use period (EFUP)	EFUP-50
	An article-related China RoHS declaration table can be found in the download area for the respective article under "Manufacturer declaration". For all articles with EFUP-E, no China RoHS declaration table issued and required.

### EU REACH SVHC

REACH candidate substance (CAS No.)	Lead(CAS: 7439-92-1)
SCIP	0dca5393-87aa-4a07-add3-2fc4a318eb50

### EF3.1 Climate Change

CO2e kg	1.113 kg CO2e
---------	---------------

Phoenix Contact 2026 © - all rights reserved  
<https://www.phoenixcontact.com>

Phoenix Contact USA  
586 Fulling Mill Road  
Middletown, PA 17057, United States  
(+717) 944-1300  
[info@phoenixcon.com](mailto:info@phoenixcon.com)