

PSM-SET-BFOC-LINK/2 - FO coupling

2799429

<https://www.phoenixcontact.com/us/products/2799429>

Please be informed that the data shown in this PDF document is generated from our online catalog. Please find the complete data in the user documentation. Our general terms of use for downloads are valid.

Coupling; set consisting of 2 couplings for connecting B-FOC plugs



Commercial data

Item number	2799429
Packing unit	1 pc
Sales key	AB16
Product key	ABNIDA
GTIN	4017918118389
Weight per piece (including packing)	19.3 g
Weight per piece (excluding packing)	19.3 g
Customs tariff number	85366990
Country of origin	DE

PSM-SET-BFOC-LINK/2 - FO coupling



2799429

<https://www.phoenixcontact.com/us/products/2799429>

Technical data

Product properties

Product type	Data plug
Application	FO coupling
Sensor type	Ethernet
Connection profile	B-FOC (ST®)

Electrical properties

Attenuation	< 2 dB
-------------	--------

Connection data

Connection method	Coupling
-------------------	----------

Dimensions

Dimensional drawing	
Depth	29.4 mm

Mechanical characteristics

Ferrule diameter	2.50 mm
------------------	---------

Material specifications

Color	Bare metallic
Material	Die-cast zinc
Flammability rating according to UL 94	V0

Cable/line

Cable type	Fiberglass
------------	------------

FO cable

Number of fibers	2
Fiber type	GOF, PCF, POF
Attenuation	≤ 0.2 dB

Characteristics

Attenuation	< 2 dB
-------------	--------

Environmental and real-life conditions

Ambient conditions

Degree of protection	IP20
----------------------	------

PSM-SET-BFOC-LINK/2 - FO coupling



2799429

<https://www.phoenixcontact.com/us/products/2799429>

	IP20
Ambient temperature (operation)	-40 °C ... 85 °C
Ambient temperature (storage/transport)	-40 °C ... 85 °C
Ambient temperature (assembly)	-5 °C ... 50 °C

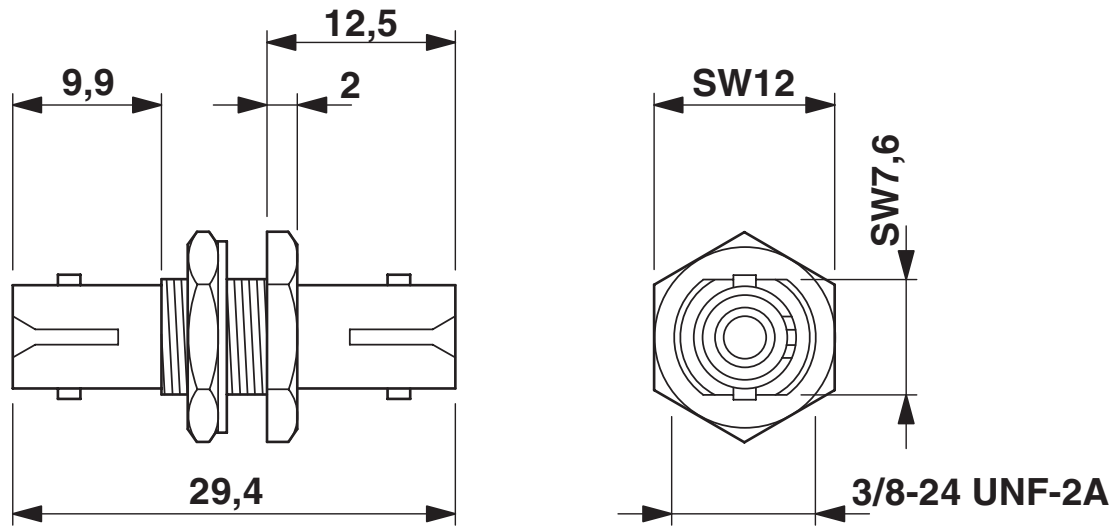
PSM-SET-BFOC-LINK/2 - FO coupling

2799429

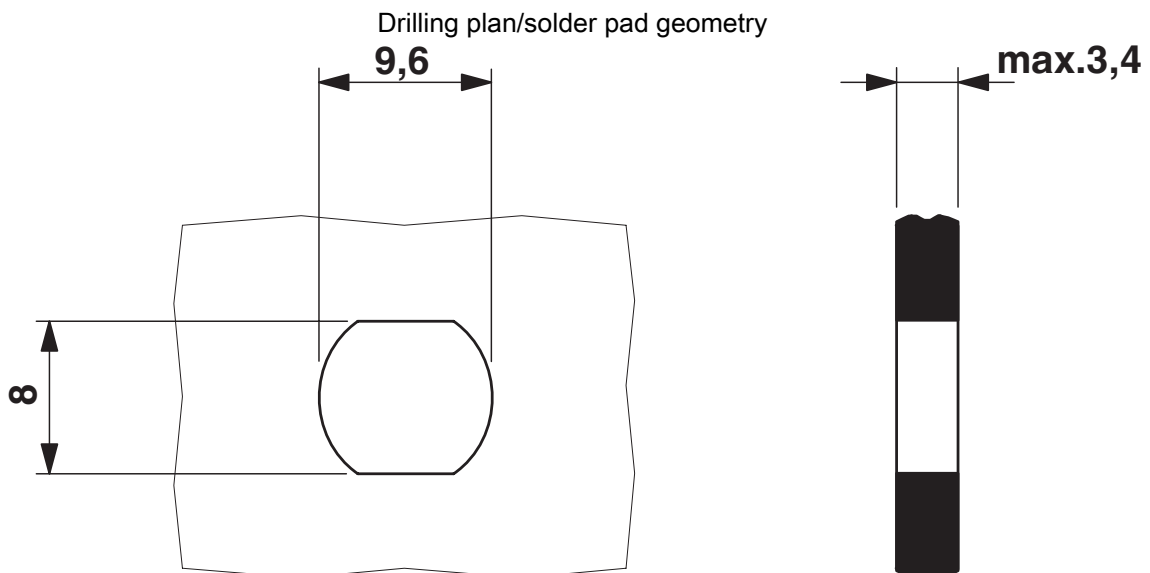
<https://www.phoenixcontact.com/us/products/2799429>

Drawings

Dimensional drawing



Dimensional drawing B-FOC coupling



Drilling diagram B-FOC panel feed-through

PSM-SET-BFOC-LINK/2 - FO coupling



2799429

<https://www.phoenixcontact.com/us/products/2799429>

Classifications

UNSPSC

UNSPSC 21.0	43223300
-------------	----------

PSM-SET-BFOC-LINK/2 - FO coupling



2799429

<https://www.phoenixcontact.com/us/products/2799429>

Environmental product compliance

EU RoHS

Fulfills EU RoHS substance requirements	Yes, No exemptions
---	--------------------

China RoHS

Environment friendly use period (EFUP)	EFUP-E
	No hazardous substances above the limits

EU REACH SVHC

REACH candidate substance (CAS No.)	No substance above 0.1 wt%
-------------------------------------	----------------------------

Phoenix Contact 2026 © - all rights reserved
<https://www.phoenixcontact.com>

Phoenix Contact USA
586 Fulling Mill Road
Middletown, PA 17057, United States
(+717) 944-1300
info@phoenixcon.com