

PSM-SET-FSMA-LINK/2 - FO coupling

2799416

<https://www.phoenixcontact.com/us/products/2799416>

Please be informed that the data shown in this PDF document is generated from our online catalog. Please find the complete data in the user documentation. Our general terms of use for downloads are valid.

Coupling; set consisting of 2 couplings for connecting F-SMA plugs



Your advantages

- High reliability with comprehensive quality assurance measures
- Optimized precision (stability) with the use of ceramic sleeves
- Future-proof, thanks to RoHS 2 conformity
- Tailored for compatibility with the DIN rail adapters

Commercial data

| | |
|--------------------------------------|---------------|
| Item number | 2799416 |
| Packing unit | 1 pc |
| Minimum order quantity | 1 pc |
| Sales key | AB16 |
| Product key | ABNIDA |
| GTIN | 4017918118396 |
| Weight per piece (including packing) | 13 g |
| Weight per piece (excluding packing) | 10.66 g |
| Customs tariff number | 85367000 |
| Country of origin | DE |

PSM-SET-FSMA-LINK/2 - FO coupling

2799416

<https://www.phoenixcontact.com/us/products/2799416>

Technical data

Product properties

| | |
|---------------------|-------------|
| Product type | Data plug |
| Application | FO coupling |
| Type | FSMA |
| Sensor type | Ethernet |
| Number of positions | 2 |
| Connection profile | FSMA |

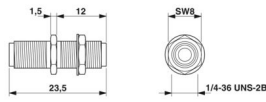
Electrical properties

| | |
|---------------------|--------|
| Attenuation | < 2 dB |
| Transmission medium | FO |

Connection data

| | |
|-------------------|----------|
| Connection method | Coupling |
|-------------------|----------|

Dimensions

| | |
|---------------------|--|
| Dimensional drawing |  |
| Depth | 23.5 mm |
| Hole diameter | 6.75 mm |

Material specifications

| | |
|--|---------------|
| Color | Bare metallic |
| Color of the housing part | silver |
| Material | Die-cast zinc |
| Flammability rating according to UL 94 | V0 |
| Housing material | Metal |
| Housing surface material | metal-plated |
| Contact surface material | Gold |

Cable/line

| | |
|---------------------------------------|----------------|
| Cable type | Fiberglass |
| External sheath, color | silver-colored |
| Tensile strength short-term/long-term | 40 N |
| Resistance to oil | yes |

FO cable

| | |
|------------------|---------------|
| Number of fibers | 2 |
| Fiber type | GOF, PCF, POF |

PSM-SET-FSMA-LINK/2 - FO coupling



2799416

<https://www.phoenixcontact.com/us/products/2799416>

| | |
|-------------|----------|
| Attenuation | ≤ 1.5 dB |
|-------------|----------|

Mechanical properties

| | |
|---------------------------------------|------|
| Tensile strength short-term/long-term | 40 N |
|---------------------------------------|------|

Mechanical data

| | |
|-----------------------------|-------|
| Insertion/withdrawal cycles | ≥ 500 |
|-----------------------------|-------|

Characteristics

| | |
|-------------|--------|
| Attenuation | < 2 dB |
|-------------|--------|

Environmental and real-life conditions

Ambient conditions

| | |
|---|------------------|
| Degree of protection | IP20 |
| | IP20 |
| Ambient temperature (operation) | -25 °C ... 85 °C |
| Ambient temperature (storage/transport) | -40 °C ... 85 °C |
| Ambient temperature (assembly) | -5 °C ... 50 °C |
| Resistance to UV radiation | yes |
| Resistance to oil | yes |

Standards and regulations

| | |
|-------------------|-----|
| Resistance to oil | yes |
|-------------------|-----|

PSM-SET-FSMA-LINK/2 - FO coupling

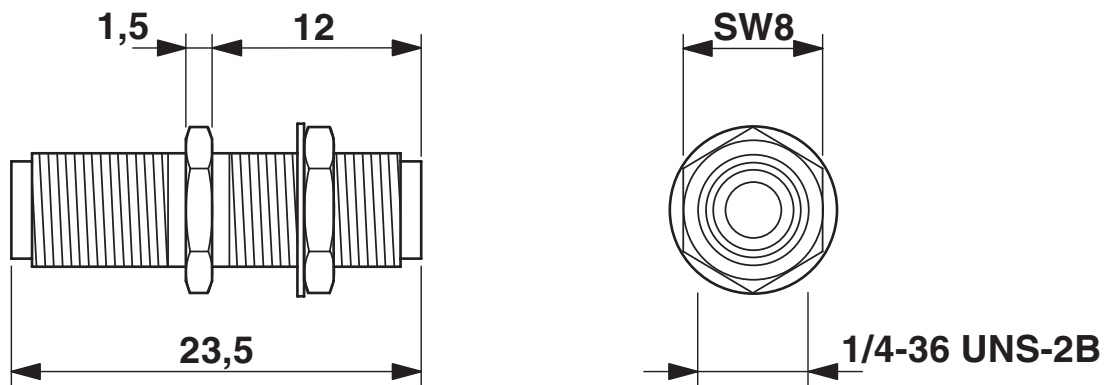


2799416

<https://www.phoenixcontact.com/us/products/2799416>

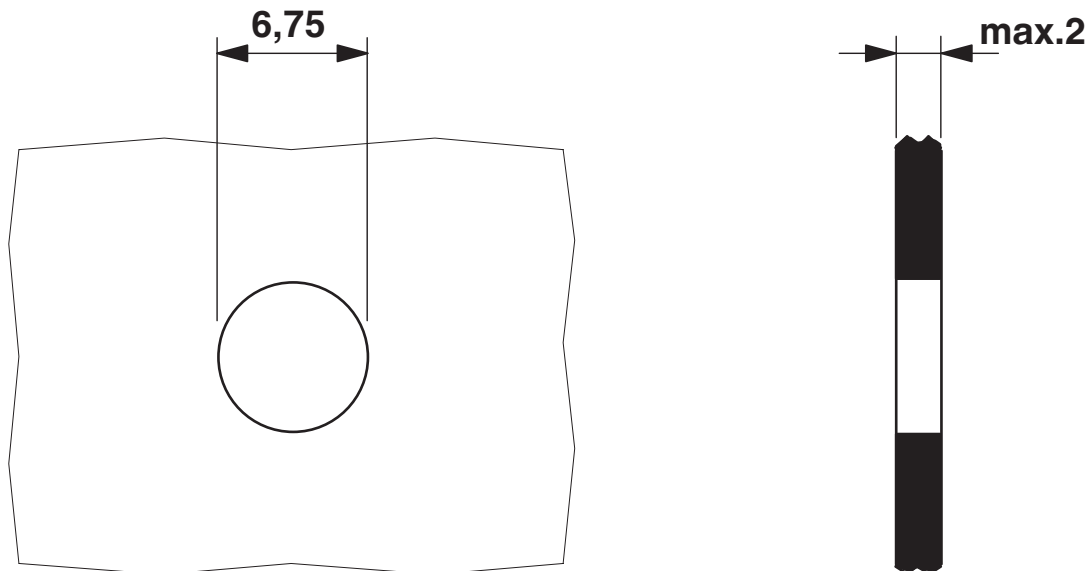
Drawings

Dimensional drawing



Dimensional drawing F-SMA coupling

Drilling plan/solder pad geometry



Drilling diagram F-SMA panel feed-through

PSM-SET-FSMA-LINK/2 - FO coupling



2799416

<https://www.phoenixcontact.com/us/products/2799416>

Classifications

ECLASS

| | |
|-------------|----------|
| ECLASS-13.0 | 19170116 |
| ECLASS-15.0 | 19170116 |

ETIM

| | |
|-----------|----------|
| ETIM 10.0 | EC000752 |
|-----------|----------|

UNSPSC

| | |
|-------------|----------|
| UNSPSC 21.0 | 43223300 |
|-------------|----------|

PSM-SET-FSMA-LINK/2 - FO coupling



2799416

<https://www.phoenixcontact.com/us/products/2799416>

Environmental product compliance

EU RoHS

| | |
|---|--------------------|
| Fulfills EU RoHS substance requirements | Yes, No exemptions |
|---|--------------------|

China RoHS

| | |
|--|--|
| Environment friendly use period (EFUP) | EFUP-E |
| | No hazardous substances above the limits |

EU REACH SVHC

| | |
|-------------------------------------|----------------------------|
| REACH candidate substance (CAS No.) | No substance above 0.1 wt% |
|-------------------------------------|----------------------------|

Phoenix Contact 2026 © - all rights reserved
<https://www.phoenixcontact.com>

Phoenix Contact USA
586 Fulling Mill Road
Middletown, PA 17057, United States
(+717) 944-1300
info@phoenixcon.com