

# EG 90-A/ABS GN - Upper housing part

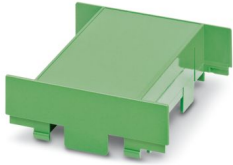


2764399

<https://www.phoenixcontact.com/us/products/2764399>

Please be informed that the data shown in this PDF document is generated from our online catalog. Please find the complete data in the user documentation. Our general terms of use for downloads are valid.

Component housing, Cover, for two-sided connection, width: 90 mm, height: 75 mm, color: green (similar RAL 6021)



## Your advantages

- Tool-free mounting

## Commercial data

Item number	2764399
Packing unit	10 pc
Minimum order quantity	10 pc
Sales key	AC11
Product key	ACHCGA
GTIN	4017918065980
Weight per piece (including packing)	23.04 g
Weight per piece (excluding packing)	16.43 g
Customs tariff number	85389099
Country of origin	PL

# EG 90-A/ABS GN - Upper housing part

2764399

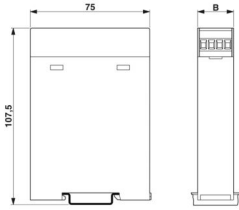
<https://www.phoenixcontact.com/us/products/2764399>

## Technical data

### Product properties

Product type	Upper housing part
Housing type	Component housing
Housing series	EG
Product family	EG...A
Number of positions	34
Number (Connection openings)	2
Ventilation openings present	no

### Dimensions

Dimensional drawing	
Width	90 mm
Height	75 mm

### PCB design

PCB thickness	1.4 mm ... 1.8 mm
---------------	-------------------

### Material specifications

Color (Upper housing part)	green (RAL 6021)
Material Upper housing part	ABS
Flammability rating according to UL 94	HB
Surface characteristics	untreated

### Environmental and real-life conditions

#### Ambient conditions

Max. IP code to attain	IP20
Ambient temperature (operation)	-40 °C ... 80 °C (depending on power dissipation)
Ambient temperature (storage/transport)	-40 °C ... 55 °C
Ambient temperature (assembly)	-5 °C ... 80 °C

### PCB data

Thickness of the PCB	1.4 mm ... 1.8 mm
----------------------	-------------------

### Mounting

Mounting type	Snap in
---------------	---------

# EG 90-A/ABS GN - Upper housing part

2764399

<https://www.phoenixcontact.com/us/products/2764399>



## Drawings

Dimensional drawing



# EG 90-A/ABS GN - Upper housing part



2764399

<https://www.phoenixcontact.com/us/products/2764399>



Component mounting side, if the double-level upper part is used

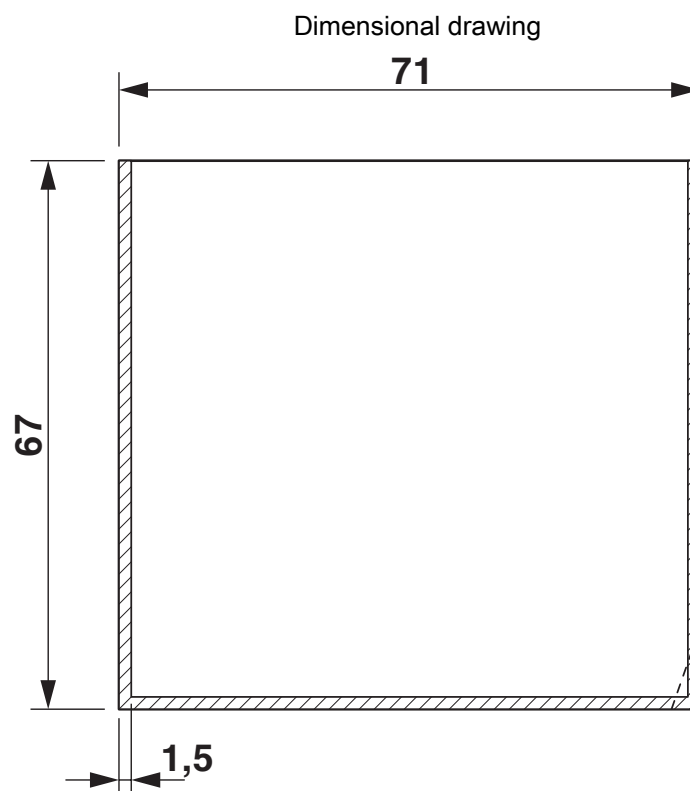
# EG 90-A/ABS GN - Upper housing part

2764399

<https://www.phoenixcontact.com/us/products/2764399>



valid for PCB 1; 2; 3; 4; 5 und 6, see explosion drawing



valid for PCB 7; 8; 11 and 12, see explosion drawing

# EG 90-A/ABS GN - Upper housing part

2764399

<https://www.phoenixcontact.com/us/products/2764399>



valid for PCB 9 and 10, see explosion drawing

# EG 90-A/ABS GN - Upper housing part

2764399

<https://www.phoenixcontact.com/us/products/2764399>



valid for PCB 13

# EG 90-A/ABS GN - Upper housing part

2764399

<https://www.phoenixcontact.com/us/products/2764399>



valid for PCB 14

# EG 90-A/ABS GN - Upper housing part



2764399

<https://www.phoenixcontact.com/us/products/2764399>

## Approvals

To download certificates, visit the product detail page: <https://www.phoenixcontact.com/us/products/2764399>



**UL Recognized**

Approval ID: E240868

# EG 90-A/ABS GN - Upper housing part



2764399

<https://www.phoenixcontact.com/us/products/2764399>

## Classifications

### ECLASS

ECLASS-13.0	27190603
ECLASS-15.0	27190603

### ETIM

ETIM 10.0	EC002779
-----------	----------

### UNSPSC

UNSPSC 21.0	31261500
-------------	----------

# EG 90-A/ABS GN - Upper housing part



2764399

<https://www.phoenixcontact.com/us/products/2764399>

## Environmental product compliance

### EU RoHS

Fulfills EU RoHS substance requirements	Yes, No exemptions
---	--------------------

### China RoHS

Environment friendly use period (EFUP)	EFUP-E
	No hazardous substances above the limits

### EU REACH SVHC

REACH candidate substance (CAS No.)	No substance above 0.1 wt%
-------------------------------------	----------------------------

Phoenix Contact 2026 © - all rights reserved  
<https://www.phoenixcontact.com>

Phoenix Contact USA  
586 Fulling Mill Road  
Middletown, PA 17057, United States  
(+717) 944-1300  
[info@phoenixcon.com](mailto:info@phoenixcon.com)