

# MT-TTY-1 - Surge protection device

2763523

<https://www.phoenixcontact.com/us/products/2763523>

Please be informed that the data shown in this PDF document is generated from our online catalog. Please find the complete data in the user documentation. Our general terms of use for downloads are valid.



Rail-mountable module with surge protection for TTY interface, for mounting on NS 35/7.5, housing width: 30 mm

## Commercial data

Item number	2763523
Packing unit	5 pc
Minimum order quantity	5 pc
Sales key	CL03
Product key	CL3132
GTIN	4017918065607
Weight per piece (including packing)	67.5 g
Weight per piece (excluding packing)	65.2 g
Customs tariff number	85363010
Country of origin	DE

# MT-TTY-1 - Surge protection device



2763523

<https://www.phoenixcontact.com/us/products/2763523>

## Technical data

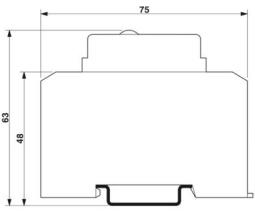
### Product properties

Product type	Surge protection for information technology
IEC test classification	C2 C3
VDE requirement class	C2 C3
Type	DIN rail module, one-piece
Surge protection fault message	none
Wire pairs per module	2

### Connection data

Connection method	Screw connection
Screw thread	M3
Tightening torque	0.5 Nm ... 0.6 Nm
Conductor cross-section flexible	0.2 mm <sup>2</sup> ... 2.5 mm <sup>2</sup>
Conductor cross-section rigid	0.2 mm <sup>2</sup> ... 4 mm <sup>2</sup>
Conductor cross-section AWG	24 ... 12

### Dimensions

Dimensional drawing	
Width	27.4 mm
Height	77.5 mm
Depth	54.9 mm

### Material specifications

Color	black (RAL 9005)
-------	------------------

### Mechanical properties

#### Mechanical data

Open side panel	No
-----------------	----

### Protective circuit

Direction of action	Line-Line & Line-Earth Ground
Maximum continuous operating voltage $U_C$	24 V DC
Rated current	300 mA
Operating effective current $I_C$ at $U_C$	$\leq 10 \mu A$

# MT-TTY-1 - Surge protection device



2763523

<https://www.phoenixcontact.com/us/products/2763523>

Nominal discharge current $I_n$ (8/20) $\mu$ s (line-ground)	5 kA
Output voltage limitation at 1 kV/ $\mu$ s (line-line) spike	$\leq 35$ V
Output voltage limitation at 1 kV/ $\mu$ s (line-earth) spike	$\leq 450$ V
Output voltage limitation at 1 kV/ $\mu$ s (line-line) static	$\leq 35$ V
Output voltage limitation at 1 kV/ $\mu$ s (line-earth) static	$\leq 450$ V
Residual voltage at $I_n$ (conductor-conductor)	$\leq 35$ V
Voltage protection level $U_p$ (line-line)	$\leq 35$ V
Voltage protection level $U_p$ (line-earth)	$\leq 450$ V
Response time $t_A$ (line-line)	$\leq 1$ ns
Response time $t_A$ (line-earth)	$\leq 100$ ns
Cut-off frequency $f_g$ (3 dB), sym. in 50 $\Omega$ system	4 MHz
Cut-off frequency $f_g$ (3 dB), sym. in 600 $\Omega$ system	300 kHz
Resistance per path	4.7 $\Omega$
Surge protection fault message	none

## Environmental and real-life conditions

### Ambient conditions

Degree of protection	IP20
Ambient temperature (operation)	-20 °C ... 60 °C

## Standards and regulations

VDE requirement class	C2
	C3

### Standards Information technology specification

Standards/regulations	Draft IEC 64644-1
	E VDE 0845-3-1
	Draft IEC 64644-1
	E VDE 0845-3-1

## Mounting

Mounting type	DIN rail: 35 mm
---------------	-----------------

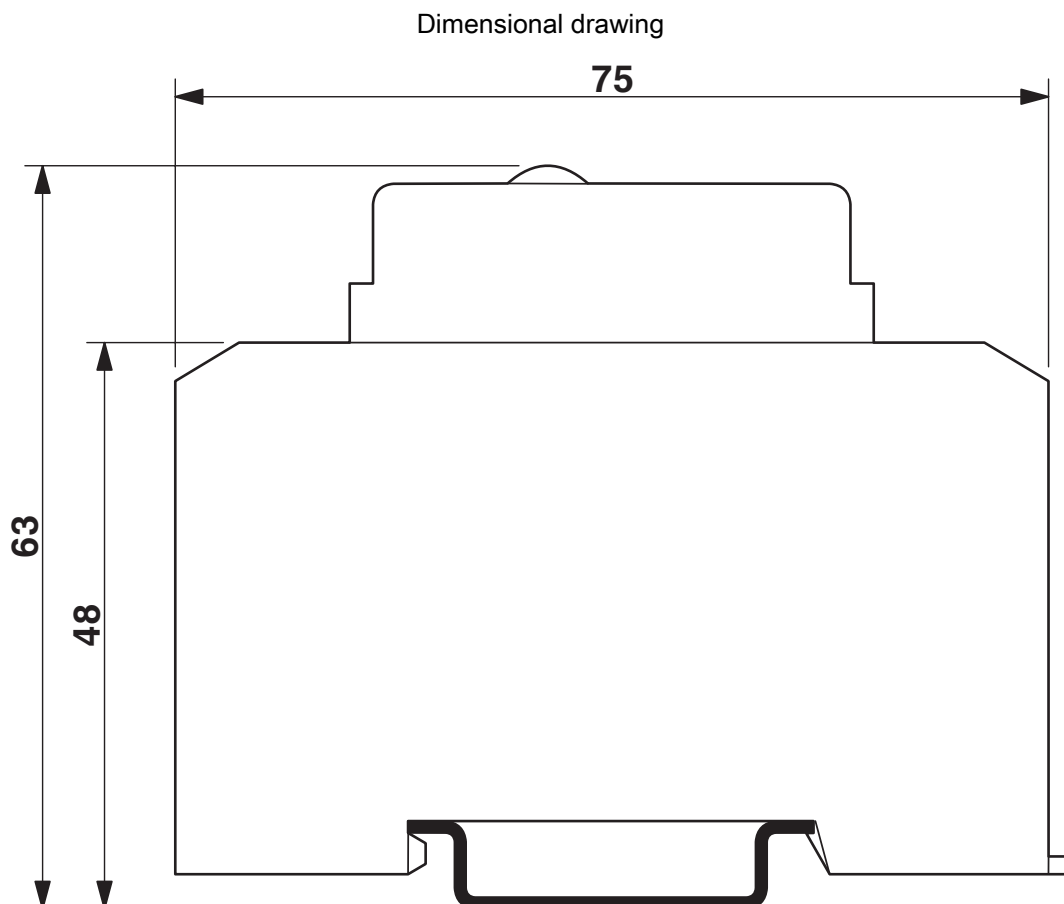
# MT-TTY-1 - Surge protection device



2763523

<https://www.phoenixcontact.com/us/products/2763523>

## Drawings

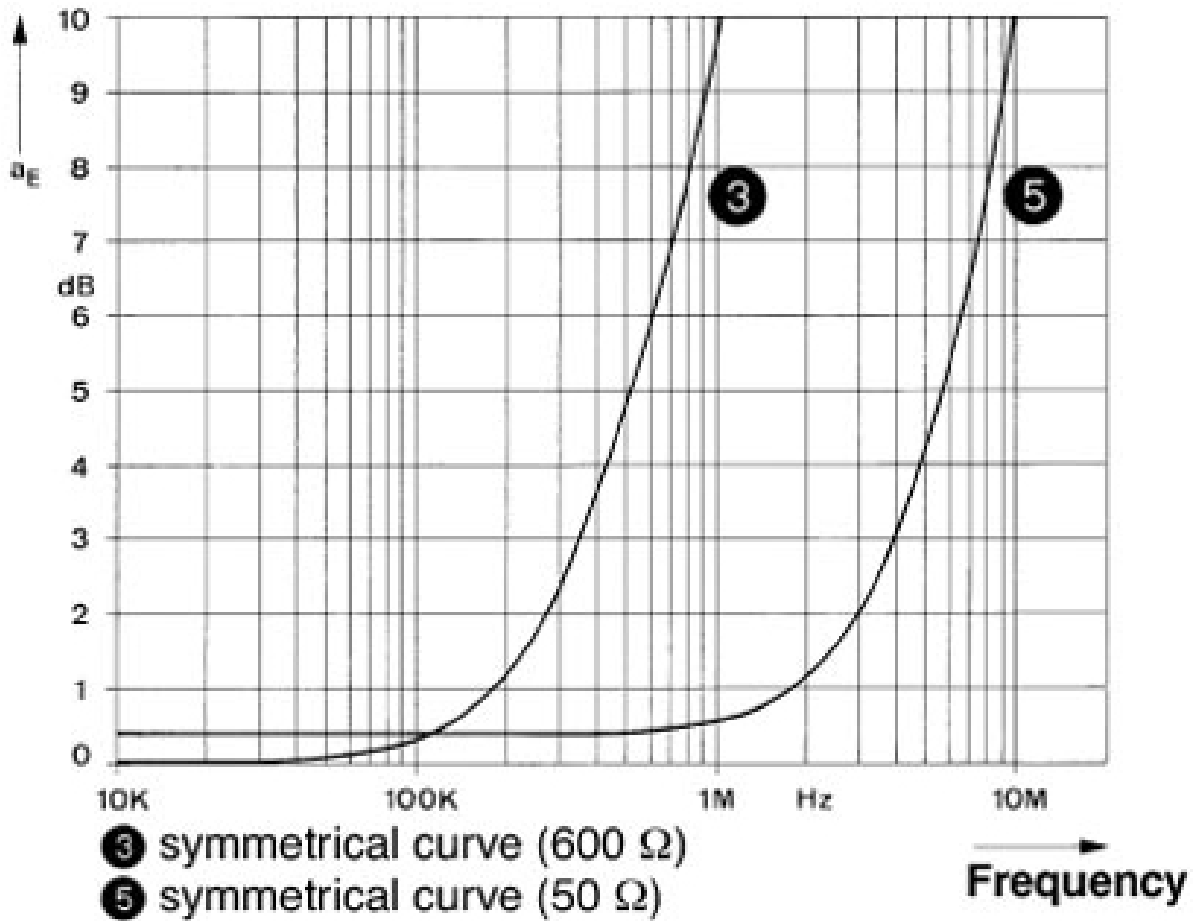


# MT-TTY-1 - Surge protection device

2763523

<https://www.phoenixcontact.com/us/products/2763523>

Diagram



Characteristic attenuation curve

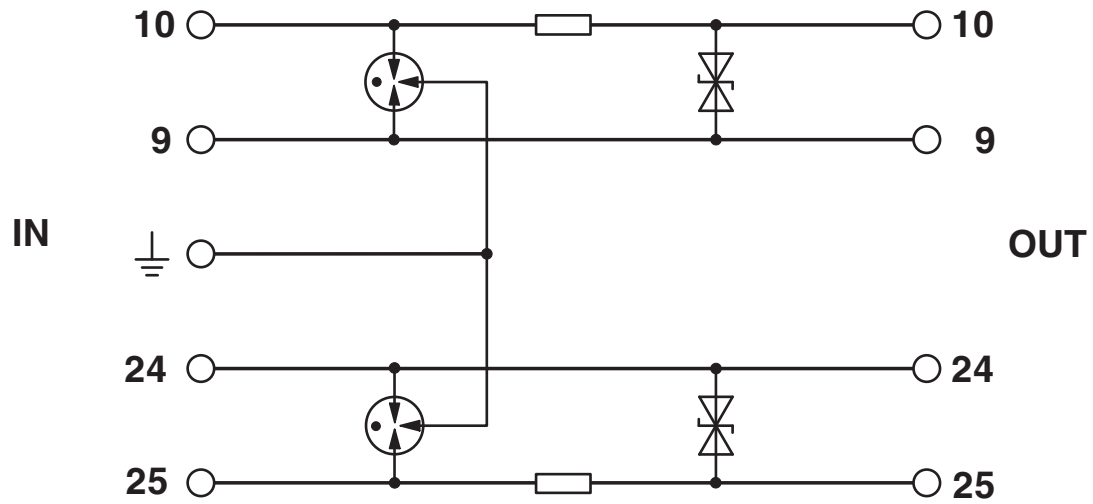
# MT-TTY-1 - Surge protection device

2763523

<https://www.phoenixcontact.com/us/products/2763523>



Circuit diagram



# MT-TTY-1 - Surge protection device



2763523

<https://www.phoenixcontact.com/us/products/2763523>

## Classifications

### ECLASS

ECLASS-13.0

27171503

### ETIM

ETIM 9.0

EC001466

### UNSPSC

UNSPSC 21.0

39121600

# MT-TTY-1 - Surge protection device



2763523

<https://www.phoenixcontact.com/us/products/2763523>

## Environmental product compliance

### EU RoHS

Fulfills EU RoHS substance requirements	Yes
Exemption	7(a), 7(c)-I

### China RoHS

Environment friendly use period (EFUP)	EFUP-50
	An article-related China RoHS declaration table can be found in the download area for the respective article under "Manufacturer declaration". For all articles with EFUP-E, no China RoHS declaration table issued and required.

### EU REACH SVHC

REACH candidate substance (CAS No.)	Lead(CAS: 7439-92-1)
SCIP	e9b0746b-aae0-4045-9c32-f07f660c5df2

Phoenix Contact 2026 © - all rights reserved

<https://www.phoenixcontact.com>

Phoenix Contact USA  
586 Fulling Mill Road  
Middletown, PA 17057, United States  
(+717) 944-1300  
[info@phoenixcon.com](mailto:info@phoenixcon.com)